



RF Filters for Cellular Phones

Series/Type: B7832

The following products presented in this data sheet are being withdrawn.

Ordering Code	Substitute Product	Date of Withdrawal	Deadline Last Orders	Last Shipments
B39192B7832C710		2009-04-03	2009-07-15	2009-10-15

For further information please contact your nearest EPCOS sales office, which will also support you in selecting a suitable substitute. The addresses of our worldwide sales network are presented at www.epcos.com/sales.



SAW Components

B7832

Low-Loss Filter for Mobile Communication

1855,00 MHz

Data Sheet



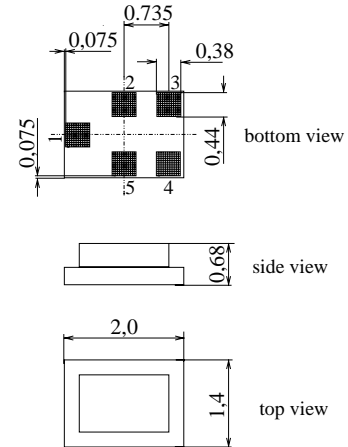
Chip Sized SAW Package QCS5C

Features

- Low-loss RF filter for mobile telephone Korean PCS systems, receive path
- Usable passband 30 MHz
- No matching network required for operation at 50 Ω
- Ceramic package for **Surface Mounted** technology (**SMT**)
- RoHS compliant

Terminals

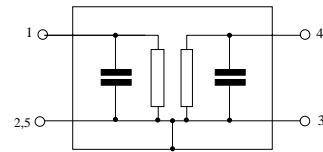
- Ni, gold-plated



Dimensions in mm, approx. weight 0,007 g

Pin configuration

- 1 Input
- 4 Output
- 2,3,5 To be grounded



Type	Ordering code	Marking and Package according to	Packing according to
B7832	B39192-B7832-C710	C61157-A7-A111	F61074-V8151-Z000

Electrostatic Sensitive Device (ESD)

Maximum ratings

Operable temperature range	T	- 30/+ 85	°C	CDMA signal
Storage temperature range	T_{stg}	- 40/+ 85	°C	
DC voltage	V_{DC}	0	V	
Input power max.	P_{IN}	0	dBm	



SAW Components

B7832

Low-Loss Filter for Mobile Communication

1855,00 MHz

Data Sheet



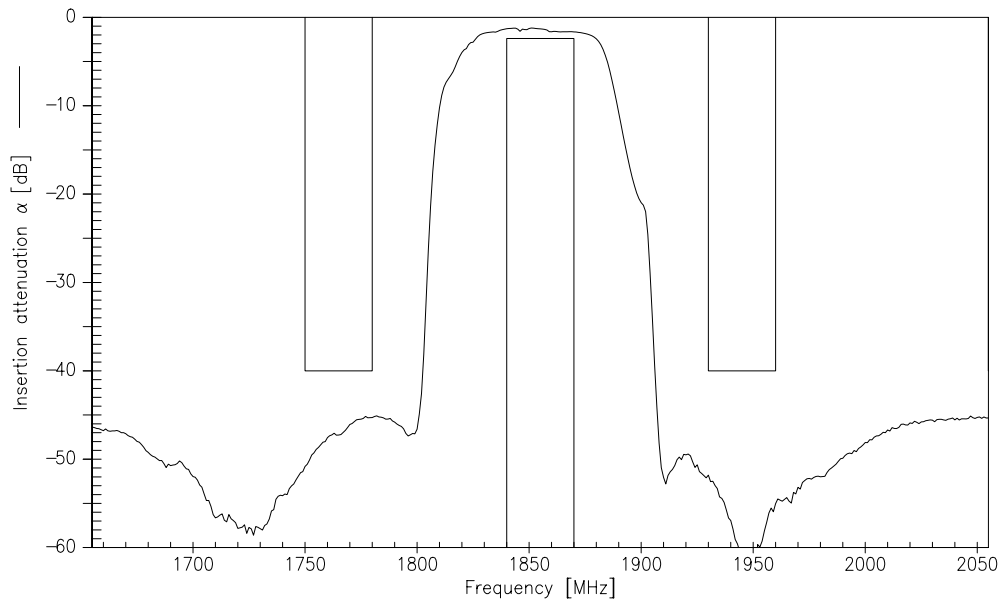
Characteristics

Operating temperature range: $T = -30$ to $+85^{\circ}\text{C}$
 Terminating source impedance: $Z_S = 50 \Omega$
 Terminating load impedance: $Z_L = 50 \Omega$

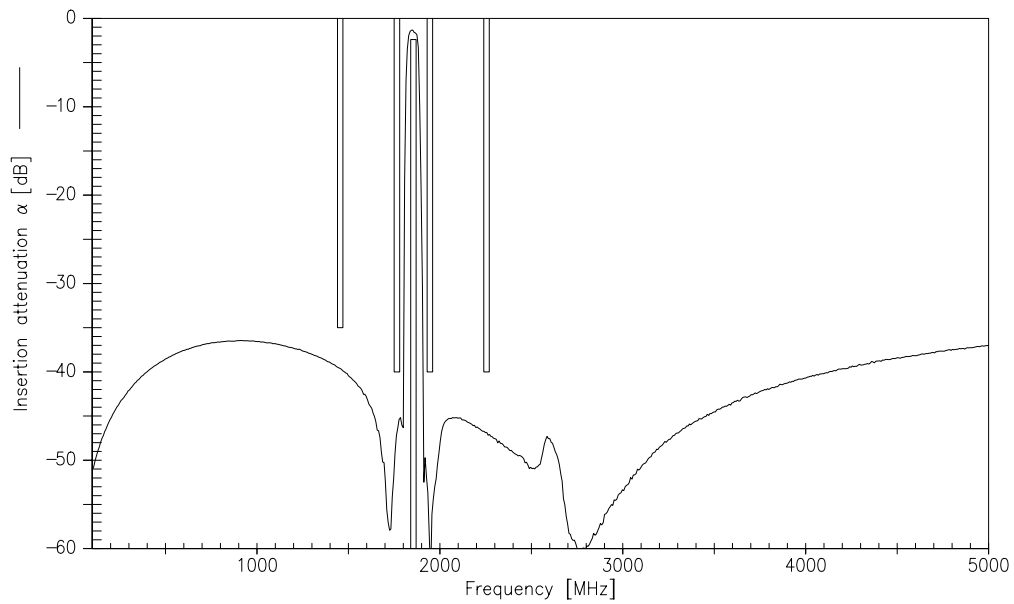
			min.	typ.	max.	
Center frequency	f_c		—	1855,0	—	MHz
Maximum insertion attenuation	α_{\max}					
		1840,0 ... 1870,0 MHz	—	1,8	2,4	dB
Amplitude ripple (p-p)	$\Delta\alpha$					
		1840,0 ... 1870,0 MHz	—	0,6	1,2	dB
VSWR						
		1840,0 ... 1870,0 MHz	—	1,5	1,9	
Attenuation	α					
		1440,0 ... 1470,0 MHz	35,0	39,0	—	dB
		1750,0 ... 1780,0 MHz	40,0	45,0	—	dB
		1930,0 ... 1960,0 MHz	40,0	51,0	—	dB
		2240,0 ... 2270,0 MHz	40,0	46,0	—	dB



Transfer function (measurement)

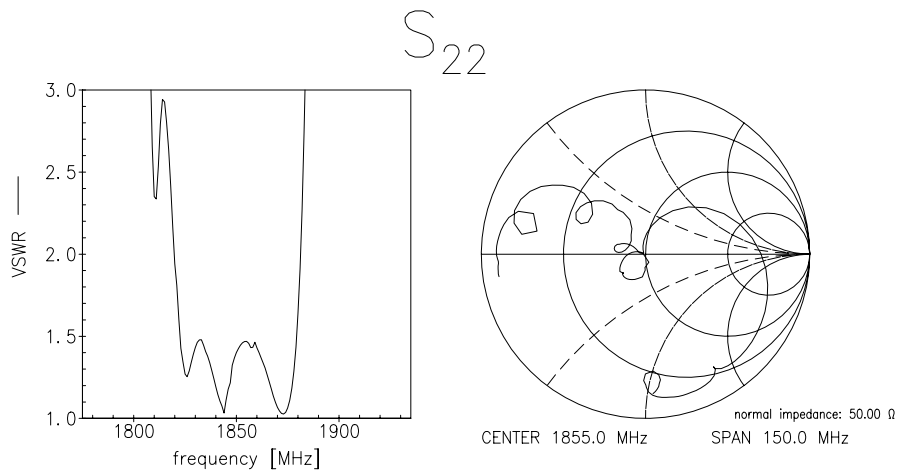
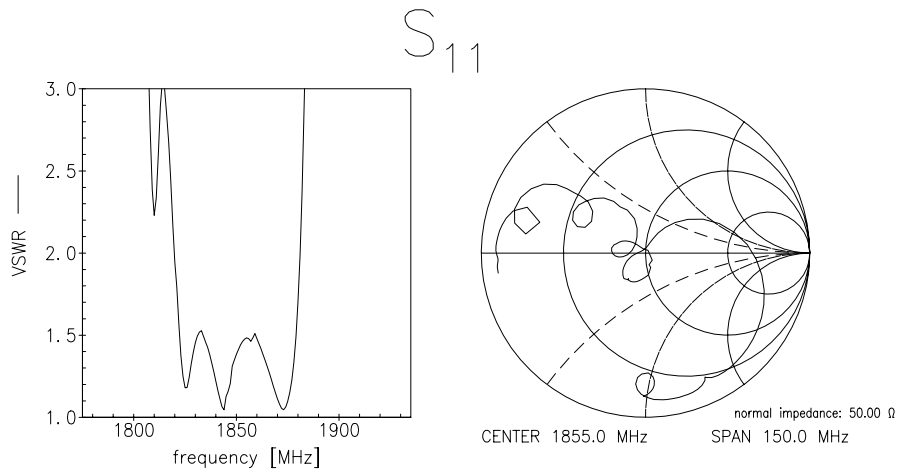


Transfer function (wideband measurement)





Matching (measurement)





SAW Components

B7832

Low-Loss Filter for Mobile Communication

1855,00 MHz

Data Sheet



Published by EPCOS AG

Surface Acoustic Wave Components Division, SAW COM WT PD

P.O. Box 80 17 09, 81617 Munich, GERMANY

© EPCOS AG 2005. Reproduction, publication and dissemination of this brochure and the information contained therein without EPCOS' prior express consent is prohibited.

Purchase orders are subject to the General Conditions for the Supply of Products and Services of the Electrical and Electronics Industry recommended by the ZVEI (German Electrical and Electronic Manufacturers' Association), unless otherwise agreed.

This brochure replaces the previous edition.

For questions on technology, prices and delivery please contact the Sales Offices of EPCOS AG or the international Representatives.

Due to technical requirements components may contain dangerous substances. For information on the type in question please also contact one of our Sales Offices.