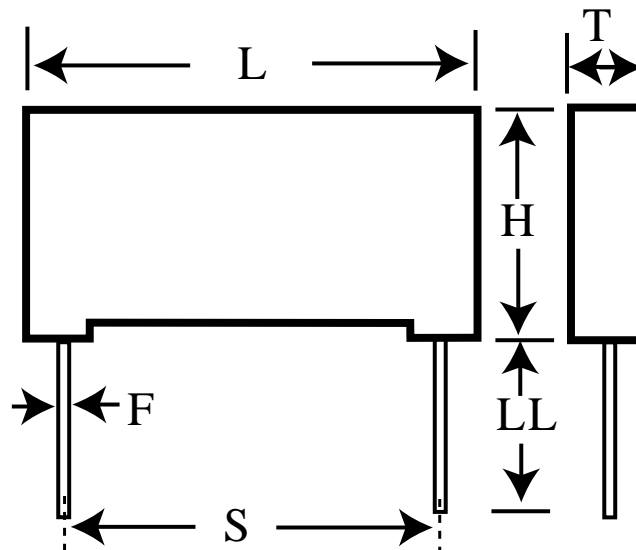


PME278RE6150XR30

aka P278EL154W440A

Capacitor, film, 0.15 μ F, +/-3.5% Tol, -40/+110C, Safety: X1, 440VAC,
Lead Spacing=25.4 mm



Dimensions (mm)

ID	Dimension	Tolerance
L	30.5	max
H	22	max
T	15.3	max
S	25.4	+/-0.4
LL	30	nom
F	1	nom

Specifications

Manufacturer:	KEMET
Brand:	Rifa
Capacitance:	0.15 μ F
Temperature Range:	-40/+110C
Rated Temperature:	110C
Voltage @ rated temp:	1000V
Voltage AC:	440VAC
Tolerance:	+/-3.5%
Body Type:	Radial Molded
Construction:	Non-inductive
Application:	Safety: X1
Dielectric:	Metallized Paper
Dissipation Factor @ 1 kHz:	1.3%
Insulation Resistance:	12 GOhm
Maximum dVdT:	600v/us
IEC_60384-14:	440V
EN_132400:	440V
Miscellaneous Electrical:	PME278
Package Kind:	Bulk
Package Quantity:	75