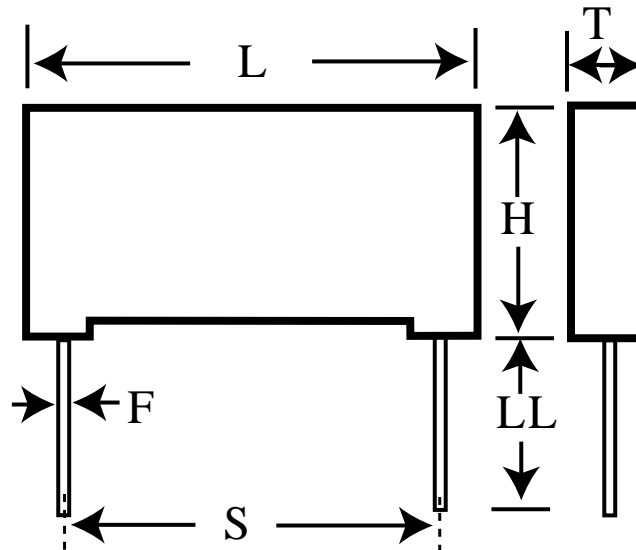


# PME271M615KS

aka P276CJ154K275D

Capacitor, film, 0.15  $\mu$ F, +/-10% Tol, -40/+110C, Safety: X2, 275VAC,  
Lead Spacing=20.3 mm



## Dimensions (mm)

ID	Dimension	Tolerance
L	24	max
H	15	max
T	9	max
S	20.3	+/-0.4
LL	30	nom
F	0.8	nom

## Specifications

Manufacturer:	KEMET
Brand:	Rifa
Capacitance:	0.15 $\mu$ F
Temperature Range:	-40/+110C
Rated Temperature:	110C
Voltage @ rated temp:	630V
Voltage AC:	275VAC
Tolerance:	+/-10%
Body Type:	Radial Molded
Construction:	Non-inductive
Application:	Safety: X2
Dielectric:	Metallized Paper
Dissipation Factor @ 1 kHz:	1.3%
Insulation Resistance:	12 GOhm
Maximum dVdT:	600v/us
UL_1414:	250V
UL_1283:	250V
IEC_60384-14:	275V
EN_132400:	275V
C_22.2_NO.1:	250V
Miscellaneous Electrical:	fo= 3.4 MHz series(PME271M)
Package Kind:	Bulk
Package Quantity:	200