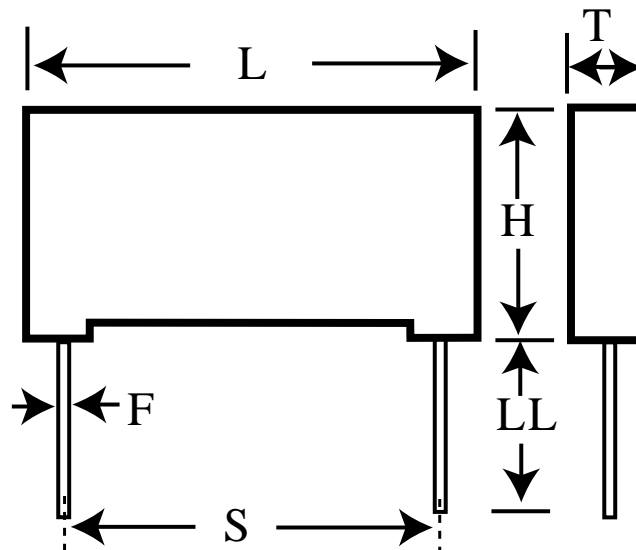


# PME271ED6100MR30

aka P277SJ104M300A

Capacitor, film, 0.1 uF, +/-20% Tol, -40/+110C, Safety: X1, 300VAC,  
Lead Spacing=22.5 mm



## Dimensions (mm)

ID	Dimension	Tolerance
L	27	max
H	17	max
T	8	max
S	22.5	+/-0.4
LL	30	nom
F	0.8	nom

## Specifications

Manufacturer:	KEMET
Brand:	Rifa
Capacitance:	0.1 uF
Temperature Range:	-40/+110C
Rated Temperature:	110C
Voltage @ rated temp:	630V
Voltage AC:	300VAC
Tolerance:	+/-20%
Body Type:	Radial Molded
Construction:	Non-inductive
Application:	Safety: X1
Dielectric:	Metallized Paper
Dissipation Factor @ 1 kHz:	1.3%
Insulation Resistance:	12 GOhm
Maximum dVdT:	600v/us
UL_1283:	250V
IEC_60384-14:	300V
EN_132400:	300V
Miscellaneous Electrical:	fo= 4.1 MHz series(PME271E)
Package Kind:	Bulk
Package Quantity:	200