

# Type T High Voltage Paper-Film/Foil Capacitors

## Paper-Film/Foil Capacitors for High Voltage Filter Applications



Complies with the EU Directive 2002/95/EC requirement restricting the use of Lead (Pb), Mercury (Hg), Cadmium (Cd), Hexavalent chromium (Cr(VI)), PolyBrominated Biphenyls (PBB) and PolyBrominated Diphenyl Ethers (PBDE).



Type T capacitors are for high voltage filter applications as well as being used for filtering, bypass and blocking in radar amplifiers and power supplies. The Type T is constructed with a rugged inserted tab to foil connection to 10-32 screw terminals surrounded by thermoset plastic bushings for high voltage performance in an oval, hermetically sealed metal case that will give long operating life under harsh conditions.

### Highlights

- Hermetically sealed
- High Voltage to 5 kVdc
- High Temperature, 105 °C operation with derating
- 

### Specifications

<b>Capacitance Range:</b>	0.1 $\mu$ F to 15.0 $\mu$ F
<b>Voltage Range:</b>	600 Vdc to 5000 Vdc
<b>Capacitance Tolerance:</b>	$\pm$ 10%
<b>Temperature Range:</b>	-55 °C to 105 °C — Full rated voltage to 85 °C. Derate linearly to 50% rated voltage at max temp.

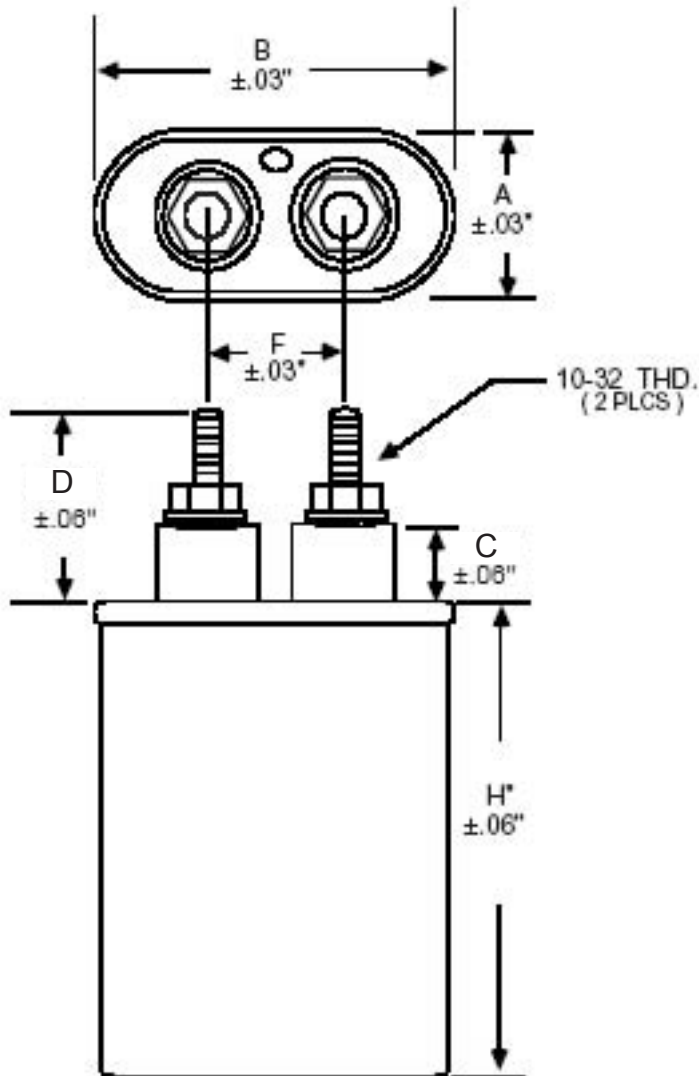
### Ratings

Cap ( $\mu$ F)	Catalog Part Number	Case Code	H (Inches)
<b>600 Vdc</b>			
0.5	T6P5NR-F	A	2.13
1.0	T6W1NR-F	A	2.13
2.0	T6W2NR-F	A	2.13
3.0	T6W3NR-F	A	2.38
4.0	T6W4NR-F	A	2.63
6.0	T6W6NR-F	A	3.88
8.0	T6W8NR-F	C	2.88
10.0	T6W10NR-F	C	3.13
15.0	T6W15NR-F	D	3.50
<b>1000 Vdc</b>			
0.10	T10P1NR-F	A	2.13
0.25	T10P25NR-F	A	2.13
0.50	T10P5NR-F	A	2.13
1.0	T10W1NR-F	A	2.13
2.0	T10W2NR-F	A	2.63
4.0	T10W4NR-F	A	4.25
6.0	T10W6NR-F	C	3.50
8.0	T10W8NR-F	D	3.50
10.0	T10W10NR-F	D	3.88
15.0	T10W15NR-F	D	5.25
<b>1500 Vdc</b>			
0.5	T15P5NR-F	A	2.13
1.0	T15W1NR-F	A	2.13
2.0	T15W2NR-F	A	3.13
4.0	T15W4NR-F	C	3.13
6.0	T15W6NR-F	D	3.88
8.0	T15W8NR-F	D	4.25

Cap ( $\mu$ F)	Catalog Part Number	Case Code	H (Inches)
<b>1500 Vdc</b>			
10.0	T15W10NR-F	D	4.75
12.0	T15W12NR-F	D	5.25
15.0	T15W15NR-F	D	6.25
<b>2000 Vdc</b>			
0.10	T20P1NR-F	A	2.13
0.25	T20P25NR-F	A	2.13
0.50	T20P5NR-F	A	2.13
1.0	T20W1NR-F	A	2.63
2.0	T20W2NR-F	C	2.88
4.0	T20W4NR-F	D	3.50
5.0	T20W5NR-F	D	4.25
8.0	T20W8NR-F	D	5.75
10.0	T20W10NR-F	D	6.75
15.0	T20W15NR-F	D	9.88
<b>2500 Vdc</b>			
1.0	T25W1NR-F	C	2.88
2.0	T25W2NR-F	C	3.13
4.0	T25W4NR-F	D	4.25
<b>3000 Vdc</b>			
.10	T30P1NR-F	A	2.13
.50	T30P5NR-F	A	3.13
1.0	T30W1NR-F	C	3.13
6.0	T30W6NR-F	D	8.00
<b>5000 Vdc</b>			
.50	T50P5NR-F	C	3.50
1.0	T50W1NR-F	D	4.25
2.0	T50W2NR-F	D	7.25

# Type T High Voltage Paper-Film/Foil Capacitors

## Outline Drawing



Case Code	Dimensions (Inches)				
	A	B	C	D	F
A	1.31	2.16	0.56	1.06	0.81
C	1.91	2.91	0.50	1.00	1.38
D	1.97	3.66	0.50	1.00	1.38

## Mounting Hardware

See page 5.000 for mounting hardware.