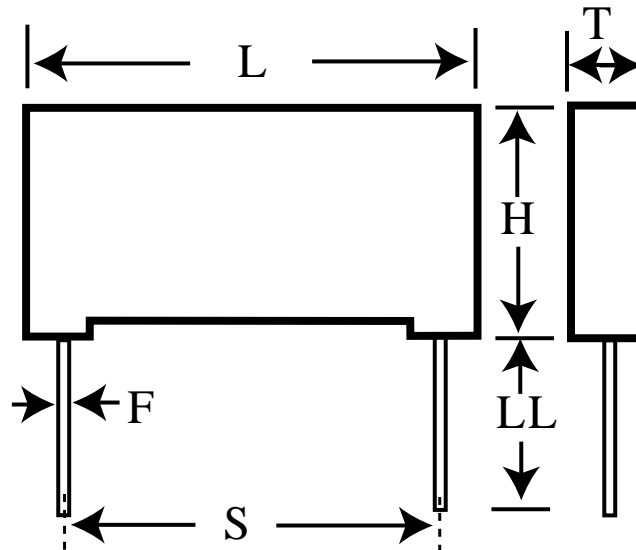


PME261EA5100KR30

aka P561HL103K300A

Capacitor, film, 0.01 μ F, +/-10% Tol, -40/+100C, AC General Purpose, 300VAC, Lead Spacing=10.2 mm



Dimensions (mm)

ID	Dimension	Tolerance
L	13.5	max
H	10.5	max
T	5.1	max
S	10.2	+/-0.4
LL	30	nom
F	0.6	nom

Specifications

Manufacturer:	KEMET
Brand:	Rifa
Capacitance:	0.01 μ F
Temperature Range:	-40/+100C
Rated Temperature:	100C
Voltage @ rated temp:	630V
Voltage AC:	300VAC
Tolerance:	+/-10%
Body Type:	Radial Molded
Construction:	Non-inductive
Application:	AC General Purpose
Dielectric:	Metallized Paper
Dissipation Factor @ 1 kHz:	1.3%
Insulation Resistance:	12 GOhm
Maximum dVdT:	2000v/us
Miscellaneous Electrical:	PME261
Package Kind:	Bulk
Package Quantity:	800