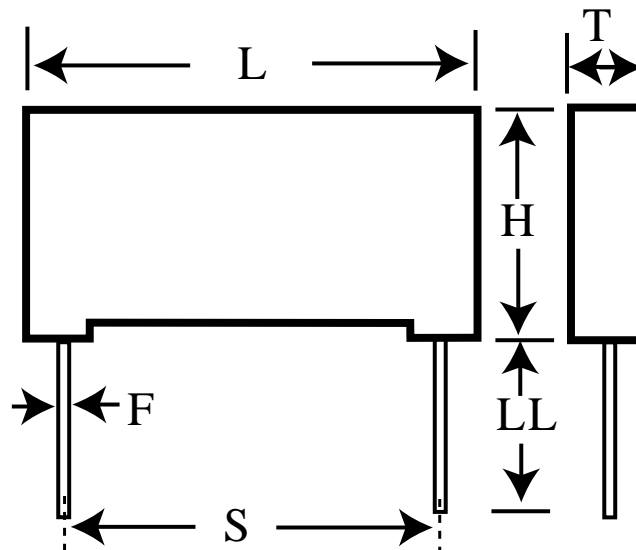


PME271YB5220MR30

aka P272QM223M300A

Capacitor, film, 0.022 uF, +/-20% Tol, -40/+115C, Safety: Y2, 300VAC,
Lead Spacing=15.2 mm



Dimensions (mm)

ID	Dimension	Tolerance
L	18.5	max
H	13	max
T	7.3	max
S	15.2	+/-0.4
LL	30	nom
F	0.8	nom

Specifications

Manufacturer:	KEMET
Brand:	Rifa
Capacitance:	0.022 uF
Temperature Range:	-40/+115C
Rated Temperature:	115C
Voltage @ rated temp:	1000V
Voltage AC:	300VAC
Tolerance:	+/-20%
Body Type:	Radial Molded
Construction:	Non-inductive
Application:	Safety: Y2
Dielectric:	Metallized Paper
Dissipation Factor @ 1 kHz:	1.3%
Insulation Resistance:	12 GOhm
Maximum dVdT:	1400v/us
IEC_60384-14:	300V
EN_132400:	300V
C_22.2_NO.8:	300V
Miscellaneous Electrical:	fo= 9.8 MHz series(PME271YB)
Package Kind:	Bulk
Package Quantity:	400