

Type OTB DC/AC Dual Rated Capacitors

Protected, High Voltage, Paper-Film/Foil Capacitors for AC & DC Applications



Type OTB is a capacitor with a robust construction consisting of a paper or a combination of paper and film dielectric system with foil electrodes, and is protected by a pressure sensitive interrupter. The OTB is UL and CSA recognized and may be used for all normal DC blocking, filtering and bypass applications as well as AC motor-run and other 60 Hz applications. Type OTB is supplied in an oval metal case with easy to use solder lug terminals positioned in plastic insulator cups.

Highlights

- Protected: Pressure sensitive interrupter
- Listed un UL* File No. E56959
- CSA* Certified file No. LR075387
- Good for DC and 60 Hz AC applications

*UL/CSA listings are up to 1500 Vdc (660 Vac)

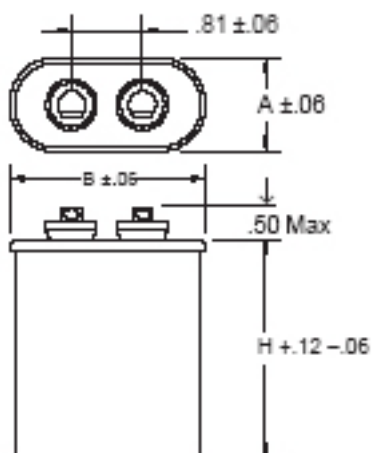
Specifications



| | |
|-------------------------------|--|
| Capacitance Range: | 0.1 μ F to 35.0 μ F |
| Voltage Range: | 400 Vdc / 236 Vac 600 Vdc / 330 Vac 1000 Vdc / 440 Vac 1500 Vdc / 660 Vac 2000 Vdc / 700 Vac 2500 Vdc / 800 Vac 3000 Vdc / 950 Vac |
| Capacitance Tolerance: | $\pm 10\%$ |
| Temperature Range: | -55 °C to 85 °C |

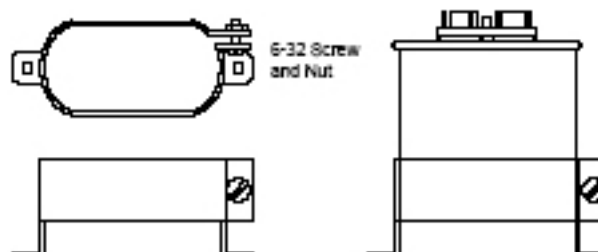
Complies with the EU Directive 2002/95/EC requirement restricting the use of Lead (Pb), Mercury (Hg), Cadmium (Cd), Hexavalent chromium (Cr(VI)), PolyBrominated Biphenyls (PBB) and PolyBrominated Diphenyl Ethers (PBDE).

Outline Drawing



Mounting Brackets

| Case Code | Bracket |
|-----------|---------|
| A | 32107-1 |
| C | 32107-2 |
| D | 32107-3 |



Type OTB DC/AC Dual Rated Capacitors

Ratings

| Cap (µF) | Catalog Part Number | A (Inches) | B (Inches) | H (Inches) |
|--|---------------------|------------|------------|------------|
| 400 Vdc (236 Vac) - Paper Dielectric | | | | |
| 3.0 | OTBE305KNPIR-F | 1.31 | 2.16 | 2.13 |
| 4.0 | OTBE405KNPIR-F | 1.31 | 2.16 | 2.38 |
| 5.0 | OTBE505KNPIR-F | 1.31 | 2.16 | 2.63 |
| 6.0 | OTBE605KNPIR-F | 1.31 | 2.16 | 2.88 |
| 8.0 | OTBE805KNPIR-F | 1.31 | 2.16 | 3.88 |
| 10.0 | OTBE106KNPIR-F | 1.31 | 2.16 | 4.75 |
| 12.0 | OTBE126KNPIR-F | 1.91 | 2.91 | 3.13 |
| 15.0 | OTBE156KNPIR-F | 1.91 | 2.91 | 3.50 |
| 20.0 | OTBE206KNPIR-F | 1.91 | 2.91 | 4.75 |
| 25.0 | OTBE256KNPIR-F | 1.91 | 2.91 | 5.75 |
| 30.0 | OTBE306KNPIR-F | 1.91 | 2.91 | 6.75 |
| 600 Vdc (330 Vac) - Paper Dielectric | | | | |
| .50 | OTBF504KNPIR-F | 1.31 | 2.16 | 2.13 |
| 1.0 | OTBF105KNPIR-F | 1.31 | 2.16 | 2.13 |
| 2.0 | OTBF205KNPIR-F | 1.31 | 2.16 | 2.13 |
| 3.0 | OTBF305KNPIR-F | 1.31 | 2.16 | 2.38 |
| 4.0 | OTBF405KNPIR-F | 1.31 | 2.16 | 2.63 |
| 5.0 | OTBF505KNPIR-F | 1.31 | 2.16 | 3.13 |
| 6.0 | OTBF605KNPIR-F | 1.31 | 2.16 | 3.88 |
| 8.0 | OTBF805KNPIR-F | 1.31 | 2.16 | 4.75 |
| 10.0 | OTBF106KNPIR-F | 1.91 | 2.91 | 3.13 |
| 12.0 | OTBF126KNPIR-F | 1.91 | 2.91 | 3.88 |
| 15.0 | OTBF156KNPIR-F | 1.91 | 2.91 | 4.25 |
| 20.0 | OTBF206KNPIR-F | 1.91 | 2.91 | 5.75 |
| 25.0 | OTBF256KNPIR-F | 1.91 | 2.91 | 6.75 |
| 30.0 | OTBF306KNPIR-F | 1.97 | 3.66 | 6.25 |
| 35.0 | OTBF356KNPIR-F | 1.97 | 3.66 | 7.25 |
| 1000 Vdc (440 Vac) - Paper Dielectric | | | | |
| .10 | OTBG104KNPIR-F | 1.31 | 2.16 | 2.13 |
| .25 | OTBG254KNPIR-F | 1.31 | 2.16 | 2.13 |
| .50 | OTBG504KNPIR-F | 1.31 | 2.16 | 2.13 |
| 1.0 | OTBG105KNPIR-F | 1.31 | 2.16 | 2.13 |
| 2.0 | OTBG205KNPIR-F | 1.31 | 2.16 | 2.63 |
| 3.0 | OTBG305KNPIR-F | 1.31 | 2.16 | 3.13 |
| 4.0 | OTBG405KNPIR-F | 1.31 | 2.16 | 4.25 |
| 5.0 | OTBG505KNPIR-F | 1.31 | 2.16 | 4.75 |
| 6.0 | OTBG605KNPIR-F | 1.91 | 2.91 | 3.13 |
| 8.0 | OTBG805KNPIR-F | 1.91 | 2.91 | 4.25 |
| 10.0 | OTBG106KNPIR-F | 1.91 | 2.91 | 4.75 |
| 12.0 | OTBG126KNPIR-F | 1.91 | 2.91 | 5.75 |
| 15.0 | OTBG156KNPIR-F | 1.91 | 2.91 | 7.25 |
| 20.0 | OTBG206KNPIR-F | 1.97 | 3.66 | 7.25 |
| 25.0 | OTBG256KNPIR-F | 1.97 | 3.66 | 9.00 |

| Cap (µF) | Catalog Part Number | A (Inches) | B (Inches) | H (Inches) |
|---|---------------------|------------|------------|------------|
| 1500 Vdc (660 Vac) - Film/Paper Dielectric | | | | |
| .50 | OTBH504KNPIR-F | 1.31 | 2.16 | 2.13 |
| 1.0 | OTBH105KNPIR-F | 1.31 | 2.16 | 2.13 |
| 2.0 | OTBH205KNPIR-F | 1.31 | 2.16 | 3.13 |
| 3.0 | OTBH305KNPIR-F | 1.31 | 2.16 | 4.25 |
| 4.0 | OTBH405KNPIR-F | 1.91 | 2.91 | 3.13 |
| 5.0 | OTBH505KNPIR-F | 1.91 | 2.91 | 3.50 |
| 6.0 | OTBH605KNPIR-F | 1.91 | 2.91 | 4.25 |
| 8.0 | OTBH805KNPIR-F | 1.91 | 2.91 | 5.25 |
| 10.0 | OTBH106KNPIR-F | 1.97 | 3.66 | 5.25 |
| 12.0 | OTBH126KNPIR-F | 1.97 | 3.66 | 5.75 |
| 15.0 | OTBH156KNPIR-F | 1.97 | 3.66 | 6.75 |
| 2000 Vdc (700 Vac) - Film/Paper Dielectric | | | | |
| .10 | OTBJ104KNPIR-F | 1.31 | 2.16 | 2.13 |
| .25 | OTBJ254KNPIR-F | 1.31 | 2.16 | 2.13 |
| .50 | OTBJ504KNPIR-F | 1.31 | 2.16 | 2.13 |
| 1.0 | OTBJ105KNPIR-F | 1.31 | 2.16 | 2.63 |
| 2.0 | OTBJ205KNPIR-F | 1.31 | 2.16 | 4.25 |
| 3.0 | OTBJ305KNPIR-F | 1.91 | 2.91 | 3.50 |
| 4.0 | OTBJ405KNPIR-F | 1.91 | 2.91 | 4.25 |
| 5.0 | OTBJ505KNPIR-F | 1.91 | 2.91 | 4.75 |
| 6.0 | OTBJ605KNPIR-F | 1.91 | 2.91 | 5.75 |
| 8.0 | OTBJ805KNPIR-F | 1.97 | 3.66 | 5.75 |
| 10.0 | OTBJ106KNPIR-F | 1.97 | 3.66 | 6.75 |
| 2500 Vdc (800 Vac) - Film/Paper Dielectric | | | | |
| .50 | OTBK504KNPIR-F | 1.31 | 2.16 | 2.13 |
| 1.0 | OTBK105KNPIR-F | 1.91 | 2.91 | 2.88 |
| 2.0 | OTBK205KNPIR-F | 1.91 | 2.91 | 3.13 |
| 3.0 | OTBK305KNPIR-F | 1.91 | 2.91 | 4.25 |
| 4.0 | OTBK405KNPIR-F | 1.91 | 2.91 | 5.75 |
| 5.0 | OTBK505KNPIR-F | 1.91 | 2.91 | 6.75 |
| 6.0 | OTBK605KNPIR-F | 1.97 | 3.66 | 5.75 |
| 7.0 | OTBK705KNPIR-F | 1.97 | 3.66 | 6.75 |
| 8.0 | OTBK805KNPIR-F | 1.97 | 3.66 | 7.25 |
| 3000 Vdc (950 Vac) - Film/Paper Dielectric | | | | |
| .10 | OTBL104KNPIR-F | 1.31 | 2.16 | 2.13 |
| .25 | OTBL254KNPIR-F | 1.31 | 2.16 | 2.13 |
| .50 | OTBL504KNPIR-F | 1.91 | 2.91 | 2.88 |
| 1.0 | OTBL105KNPIR-F | 1.91 | 2.91 | 2.88 |
| 2.0 | OTBL205KNPIR-F | 1.91 | 2.91 | 4.25 |
| 3.0 | OTBL305KNPIR-F | 1.91 | 2.91 | 5.75 |
| 4.0 | OTBL405KNPIR-F | 1.97 | 3.66 | 5.75 |
| 5.0 | OTBL505KNPIR-F | 1.97 | 3.66 | 6.75 |