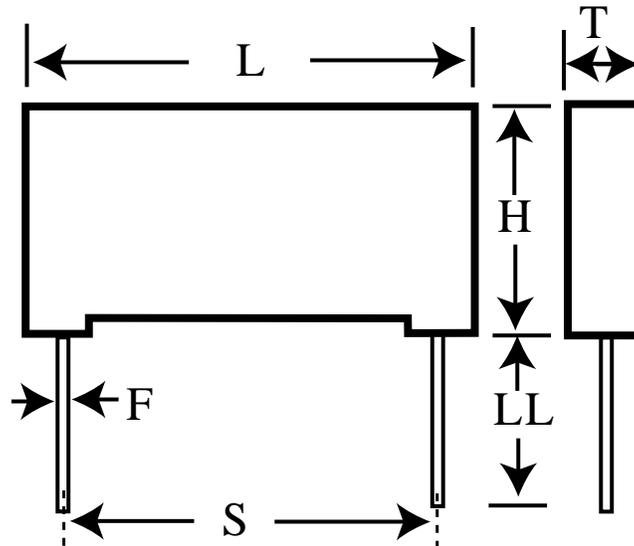


# PME261JC6100KR19T0

aka P561CP104K500L

Capacitor, film, 0.1 uF, +/-10% Tol, -40/+100C, AC General Purpose, 500VAC, Lead Spacing=20.3 mm



## Dimensions (mm)

ID	Dimension	Tolerance
L	24	max
H	16.5	max
T	11.3	max
S	20.3	+/-0.4
LL	19	nom
F	0.8	nom

## Specifications

Manufacturer:	KEMET
Brand:	Rifa
Capacitance:	0.1 uF
Temperature Range:	-40/+100C
Rated Temperature:	100C
Voltage @ rated temp:	1000V
Voltage AC:	500VAC
Tolerance:	+/-10%
Body Type:	Radial Molded
Construction:	Non-inductive
Application:	AC General Purpose
Dielectric:	Metallized Paper
Dissipation Factor @ 1 kHz:	1.3%
Insulation Resistance:	12 GOhm
Maximum dVdT:	950v/us
Miscellaneous Electrical:	PME261
Package Kind:	T&R
Package Size:	360mm
Package Quantity:	180