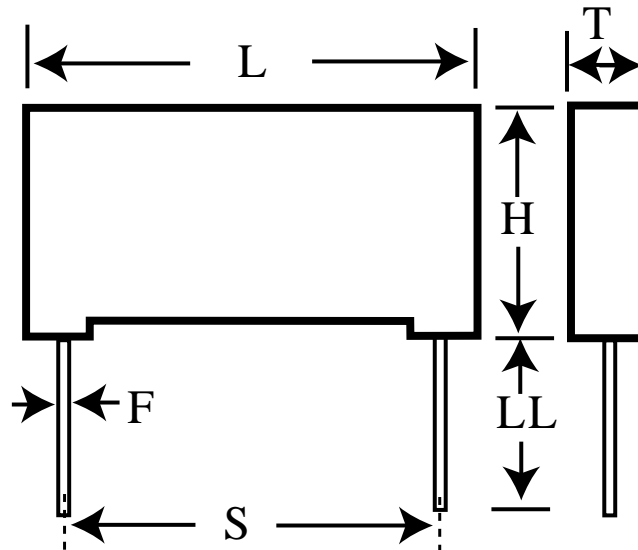


PME261KC6150KR30

aka P561CE154K220A

Capacitor, film, 0.15 μ F, +/-10% Tol, -40/+100C, AC General Purpose, 220VAC, Lead Spacing=20.3 mm



Dimensions (mm)

ID	Dimension	Tolerance
L	24	max
H	14	max
T	7.6	max
S	20.3	+/-0.4
LL	30	nom
F	0.8	nom

Specifications

Manufacturer:	KEMET
Brand:	Rifa
Capacitance:	0.15 μ F
Temperature Range:	-40/+100C
Rated Temperature:	100C
Voltage @ rated temp:	400V
Voltage AC:	220VAC
Tolerance:	+/-10%
Body Type:	Radial Molded
Construction:	Non-inductive
Application:	AC General Purpose
Dielectric:	Metallized Paper
Dissipation Factor @ 1 kHz:	1.3%
Insulation Resistance:	12 GOhm
Maximum dVdT:	700v/us
Miscellaneous Electrical:	PME261
Package Kind:	Bulk
Package Quantity:	250