

### FEATURES

- STANDARD EIA 1206 & 0805 PACKAGING
- EACH COMPONENT CONTAINS 4 ISOLATED CERAMIC CAPACITORS
- AVAILABLE IN A WIDE RANGE OF VALUES AND TEMPERATURE COEFFICIENTS

SPECIFICATIONS	NPO	X7R	Y5V
OPERATING TEMPERATURE	-55° C ~ +125° C	-55° C ~ +125° C	-30° C ~ +85° C
CAPACITANCE RANGE	10pF - 1000pF	100pF - 0.1μF	0.01μF - 0.33μF
VOLTAGE RANGE	SEE VALUES TABLE BELOW		
CAPACITANCE TOLERANCE	±5% (J)	±10%(K), ±20%(M)	+80%/-20% (Z)
TEMPERATURE CHARACTERISTICS	(0±30ppm/°C)	±15%	+ 30% ~ - 80%
DIELECTRIC WITHSTANDING VOLTAGE	2.5 x Rated Voltage for 1 min.		
INSULATION RESISTANCE (after 1 min.)	>100GΩ	>10GΩ	>10GΩ
DISSIPATION FACTOR	≤0.1%	≤5%	≤7%

### STANDARD VALUES AND VOLTAGES

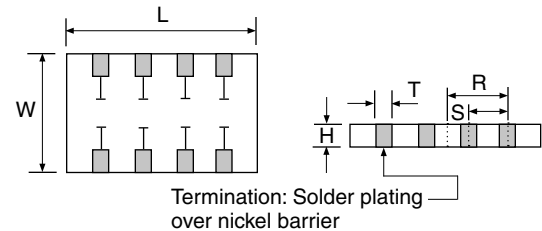
Cap.	NPO				X7R				Y5V			
	Working Voltage (Vdc)											
	16	25	50	100	10	16	25	50	100	16	25	50
10pF	∅	⊕∅	⊕∅	∅								
22pF	∅	⊕∅	⊕∅	∅								
33pF	∅	⊕∅	⊕∅	∅								
47pF	∅	⊕∅	⊕∅	∅								
68pF	∅	⊕∅	⊕∅	∅								
82pF	∅	⊕∅	⊕∅	∅								
100pF	⊕∅	⊕∅	⊕∅	∅	⊕	⊕						
220pF	⊕∅	∅	∅	∅	⊕	⊕						
330pF	∅	∅	∅	∅	⊕	⊕	∅					
470pF	∅	∅	∅		⊕∅	⊕∅	∅	∅				
680pF	∅	∅	∅		⊕∅	⊕∅	∅	∅				
820pF	∅	∅	∅		⊕∅	⊕∅	∅	∅				
.001μF	∅	∅	∅		⊕∅	⊕∅	∅	∅				
.0022μF					⊕∅	∅	∅	∅				
.0033μF					⊕∅	∅	∅	∅				
.0047μF					⊕∅	∅	∅	∅				
.0068μF					⊕∅	∅	∅	∅				
.0082μF					⊕∅	∅	∅	∅				
.01μF					⊕	⊕∅	∅	∅	∅	∅	∅	∅
.022μF					⊕	∅	∅	∅		∅	∅	∅
.033μF					⊕	∅	∅	∅		∅	∅	∅
.047μF					⊕	∅	∅			∅	∅	∅
.068μF					⊕	∅	∅			∅	∅	
.082μF					⊕	∅	∅			∅	∅	
.10μF					⊕*	∅				∅	∅	

0805 Values ⊕ 1206 Values ∅

\* X5R TC -55°C ~ +85°C

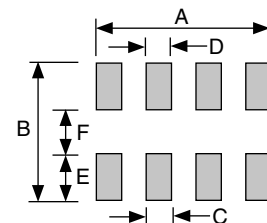
### PART DIMENSIONS (mm)

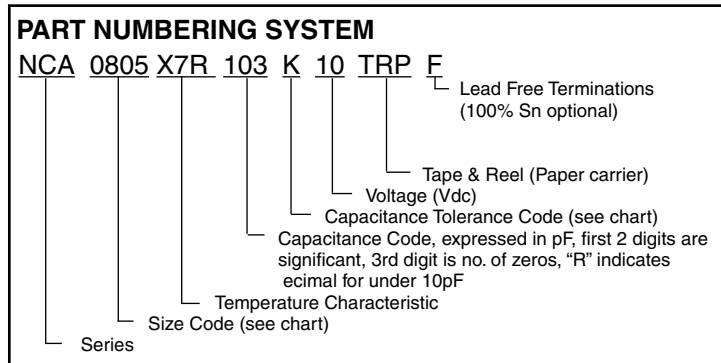
Series	NCA0805	NCA1206
L	2.0 ±0.2	3.2 ±0.2
W	1.25 ±0.2	1.6 ±0.2
H	1.0 max.	1.3 max.
P	0.2 ±0.15	0.3 ±0.2
R	0.76 ±0.1	1.14 ±0.1
S	0.5 ±0.1	0.8 ±0.2
T	0.25 ±0.1	0.4 ±0.1



### RECOMMENDED LAND PATTERN (mm)

Series	A	B	C	D	E	F
NCA1206	2.83	2.54	0.46	0.33	0.89	0.76
NCA0805	1.81	1.91	0.28	0.23	0.64	0.63

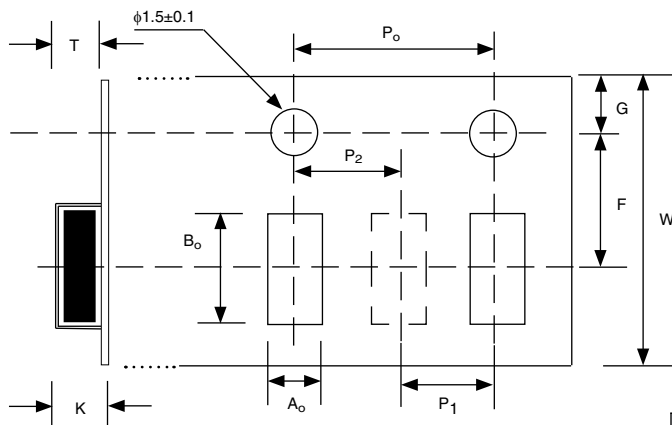




### TAPE DIMENSIONS (mm)

A <sub>o</sub>	B <sub>o</sub>	F	G	K	P <sub>o</sub>	P <sub>1</sub>	P <sub>2</sub>	T	W
See note 1	3.50 ±0.05	1.75 ±0.1	2.50 max.	4.0 ±0.1	4.0 ±0.1	4.0 ±0.1	2.0 ±0.05	0.6 max.	8.0 ±0.3

Note 1 - These dimensions are determined by the maximum dimensions of the part. Clearance between the sides of the components shall be 0.05mm (min.) and 0.50mm (max.). The clearance shall not allow the component to rotation more than 20° within the carrier cavity.



### REEL DIMENSIONS (mm)

A	B	C	D	E	W
178 ± 2.0	50 min.	13.0 ± 0.2	20.2 min.	1.5 min.	8.4 ± 1.0

