



NEC's 900 MHz SILICON MMIC DOWN CONVERTER

UPC1686GV

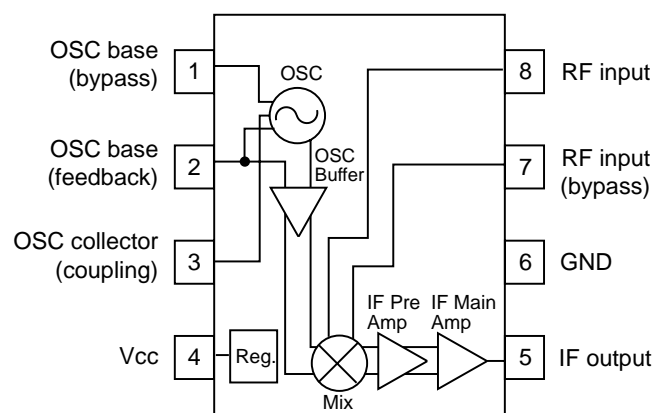
FEATURES

- **WIDE-BAND OPERATION:** DC to 890 MHz
- **DOUBLE BALANCED MIXER:**
Low Distortion
Low Oscillator Radiation
- **BALANCED AMPLIFIER FOR VOLTAGE CONTROLLED OSCILLATORS:**
Up to UHF Frequency
- **SINGLE ENDED PUSH-PULL IF AMPLIFIER:**
Constant Resistive Impedance
- **SWITCHABLE AS MIXER OR IF AMP**
- **SMALL PACKAGE:** 8 Pin SSOP

DESCRIPTION

NEC's UPC1686GV is a silicon monolithic integrated circuit designed as a wide-band mixer/oscillator/IF amp suitable for VHF TV/CATV tuners. Device features include: 20 dB gain from 55 to 890 MHz and an output power of +10 dBm at saturation. The device is available in an 8 pin SSOP package. The nominal output impedance of the device is 75 ohms.

INTERNAL BLOCK DIAGRAM



ELECTRICAL CHARACTERISTICS (TA = 25°C, VCC = 5 V)

PART NUMBER PACKAGE OUTLINE			UPC1686GV S08			TEST CIRCUIT
SYMBOLS	PARAMETERS AND CONDITIONS	UNITS	MIN	TYP	MAX	
I _{CC}	Circuit Current, no input signal	mA	25	38	48	Fig. 1
CG	Conversion Gain ¹					Fig. 1
	RF = 55 MHz, IF = 44 MHz	dB	15	19	22	
	RF = 200 MHz, IF = 50 MHz	dB	15.5	19.5	22.5	
	RF = 440 MHz, IF = 50 MHz	dB	16	20	23	
NF	Noise Figure ² at RF = 55 MHz, IF = 44 MHz	dB		11	14	Fig. 1
	RF = 200 MHz, IF = 50 MHz	dB		11	14	
	RF = 440 MHz, IF = 50 MHz	dB		12	15	
CM	1% Cross modulation ³ at IF = 50 MHz, 75 Ω Open Terminal, RF = 55 to 470 MHz	dBμ		94		Fig. 1
PSAT	Saturated Output Power ⁴	dBm		+10		Fig. 1
f _{STB}	Oscillator Frequency Stability at V _{CC} ± 10% OSC f = 100 to 490 MHz	kHz		±100		Fig. 2
f _{DRIFT}	Oscillation Frequency Drift, OSC f = 100 to 490 MHz	kHz		100		Fig. 2
V _{OSC}	Oscillation Start Voltage OSC f = 100 to 490 MHz	V		3.0		Fig. 2
V _{SWR}	IF Output			1.3	1.5	Fig. 1

Notes:

1. P_{RFIn} = -40 dBm, P_{OSC} = -5 dBm
2. P_{OSC} = -5 dBm
3. Undesired = Desired ± 12 MHz, 30% 100 kHz AM S/I Ratio = 46 dB
4. P_{RFIn} = 0 dBm, P_{OSC} = -5 dBm

California Eastern Laboratories

ABSOLUTE MAXIMUM RATINGS¹ (T_A = 25°C)

SYMBOLS	PARAMETERS	UNITS	RATINGS
V _{CC}	Supply Voltage	V	6
P _T	Total Power Dissipation ²	mW	250
T _{OP}	Operating Temperature	°C	-40 to +85
T _{STG}	Storage Temperature	°C	-65 to +150

ORDERING INFORMATION

PART NUMBER	QUANTITY
UPC1686GV-E1-A	1000/REEL

Notes:

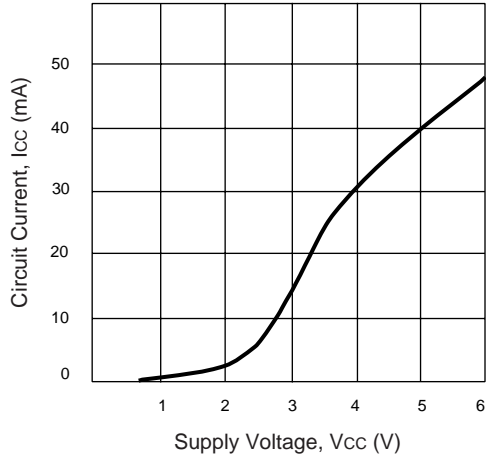
1. Operation in excess of any one of these parameters may result in permanent damage.
2. T_A = 85°C mounted on 50 x 50 x 1.6 (mm) PWB (glass-epoxy).

PIN DESCRIPTION

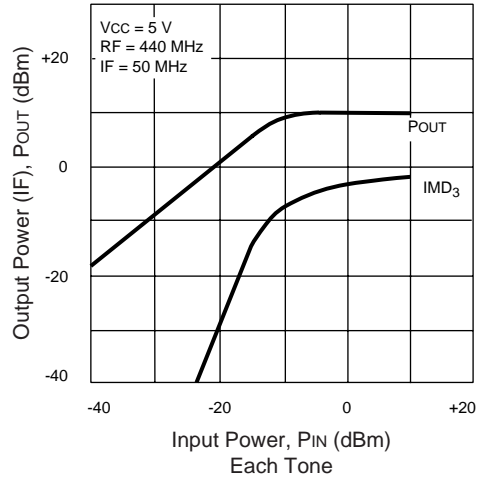
PIN NO.	SYMBOL	FUNCTION AND APPLICATION	EQUIVALENT CIRCUIT
1	OSC Base (Bypass)	<p>Internal oscillator consists of a balanced amplifier. Pins 2 and 3 should be externally equipped with a tank resonator circuit in order to oscillate with feedback loop.</p> <p>Pin 1 should be grounded through a coupling capacitor (~10 pF).</p> <p>Pin 3 is an open collector. This pin should be coupled through resistor or choke coil in order to adjust Q and connect to supply voltage. In case of unstable oscillation, lowering the Q will help to stabilize the operation.</p>	
2	OSC Base (Feedback)		
3	OSC Collector (Coupling)		
4	V _{CC}	Supply voltage pin for the IC.	
5	IFOUT	IF output pin. IF amplifier is designed as a single-ended push-pull amplifier. This pin is an emitter follower output with a wideband 50 Ω impedance.	
6	GND	GND pin for the IC.	
7	RF IN2 (Bypass)	<p>Pins 7 and 8 are inputs to a double-balance mixer. Either pin can be used for input and bypass.</p>	
8	RF IN1		

TYPICAL PERFORMANCE CURVES ($T_A = 25^\circ\text{C}$)

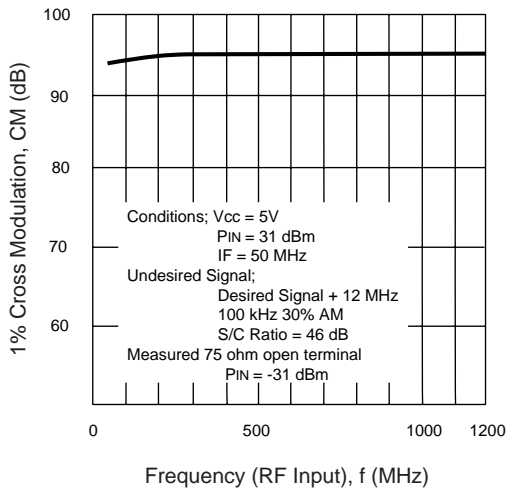
CIRCUIT CURRENT vs. SUPPLY VOLTAGE



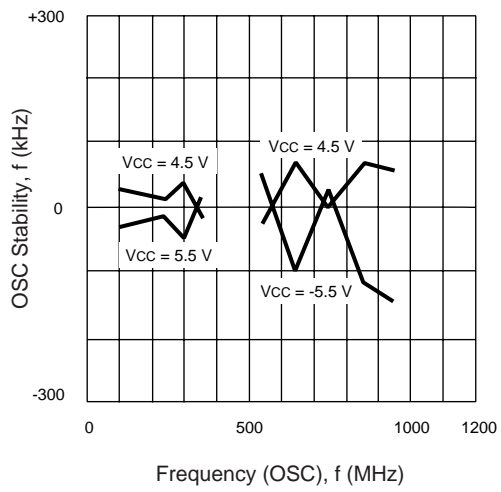
OUTPUT POWER AND INTERMODULATION DISTORTION vs. INPUT POWER



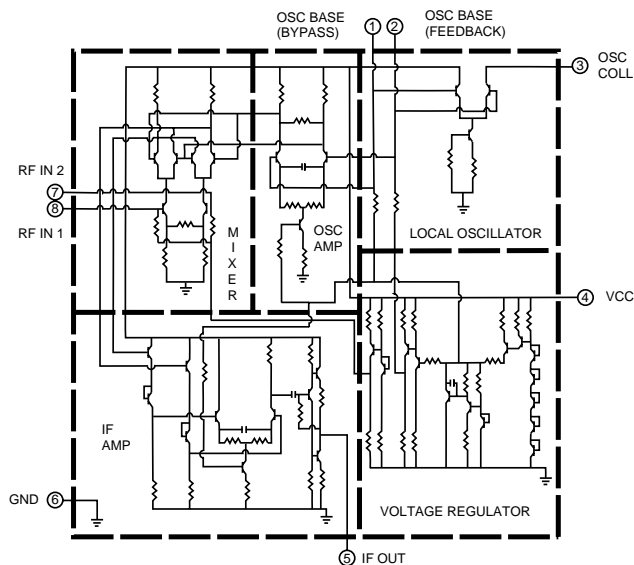
1% CROSS MODULATION vs. FREQUENCY



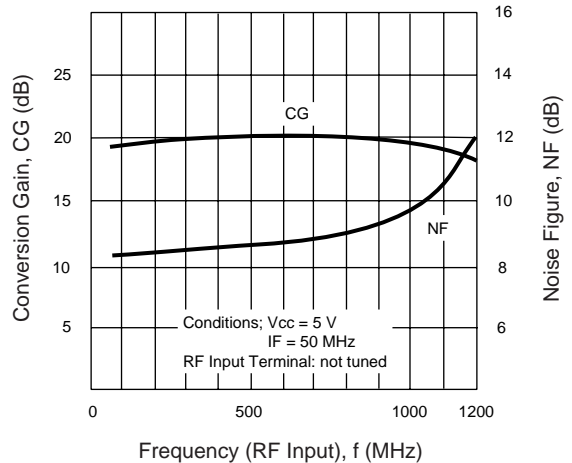
OSC-FREQUENCY STABILITY vs. FREQUENCY



EQUIVALENT CIRCUIT



CONVERSION GAIN AND NOISE FIGURE vs. FREQUENCY



TEST CIRCUITS

Figure 1

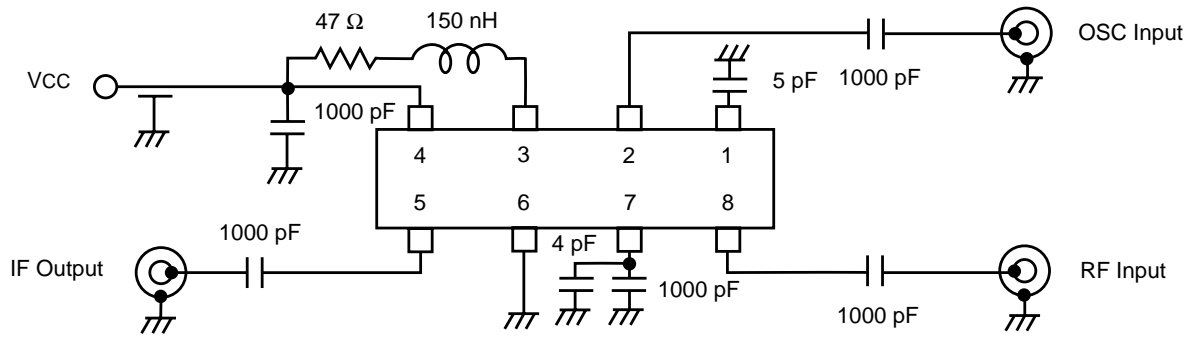
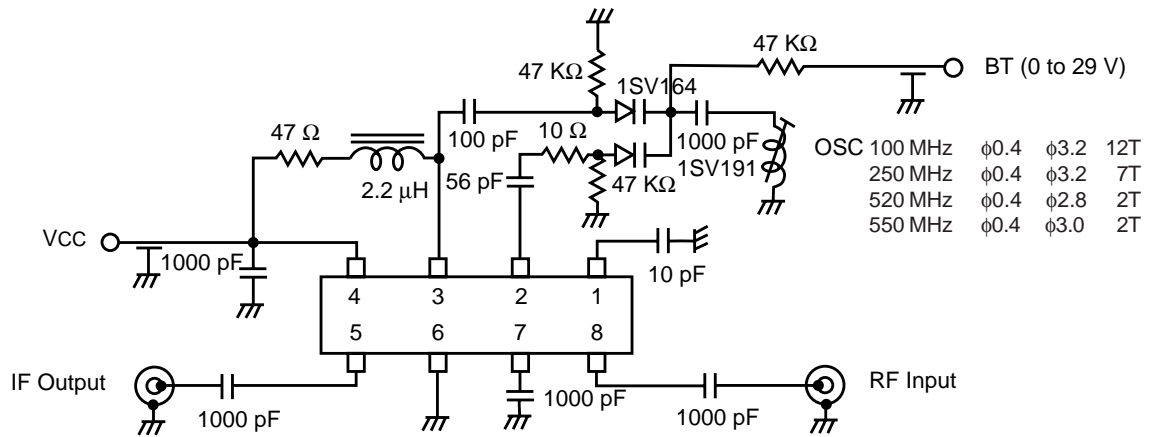
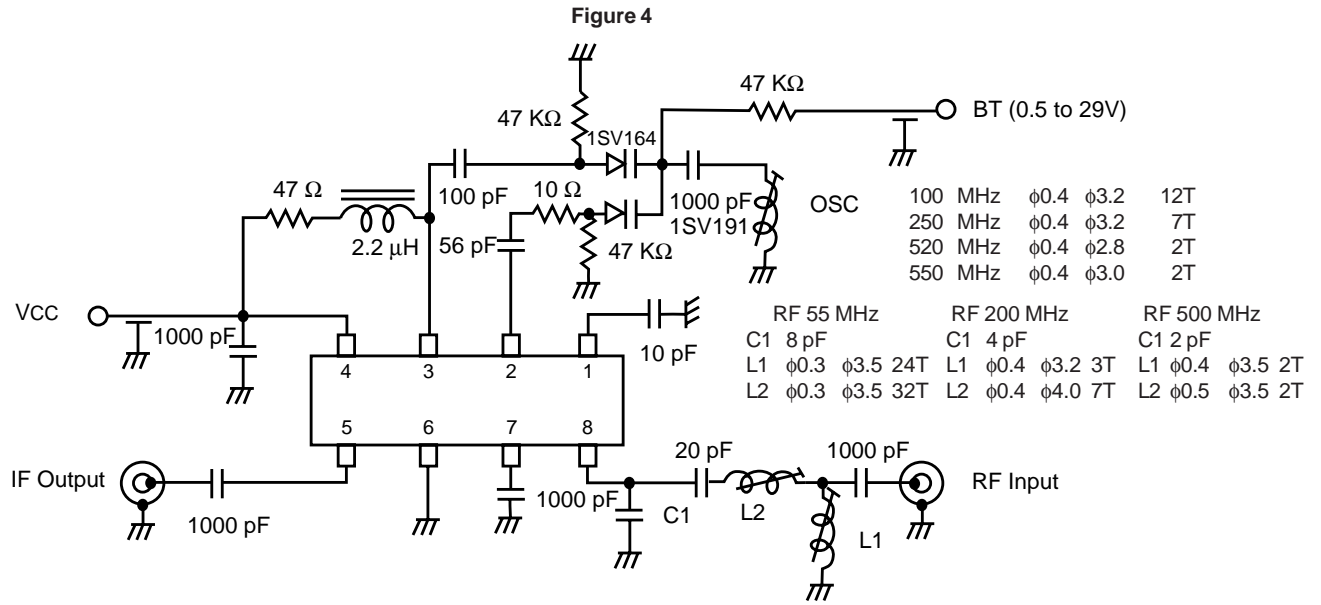


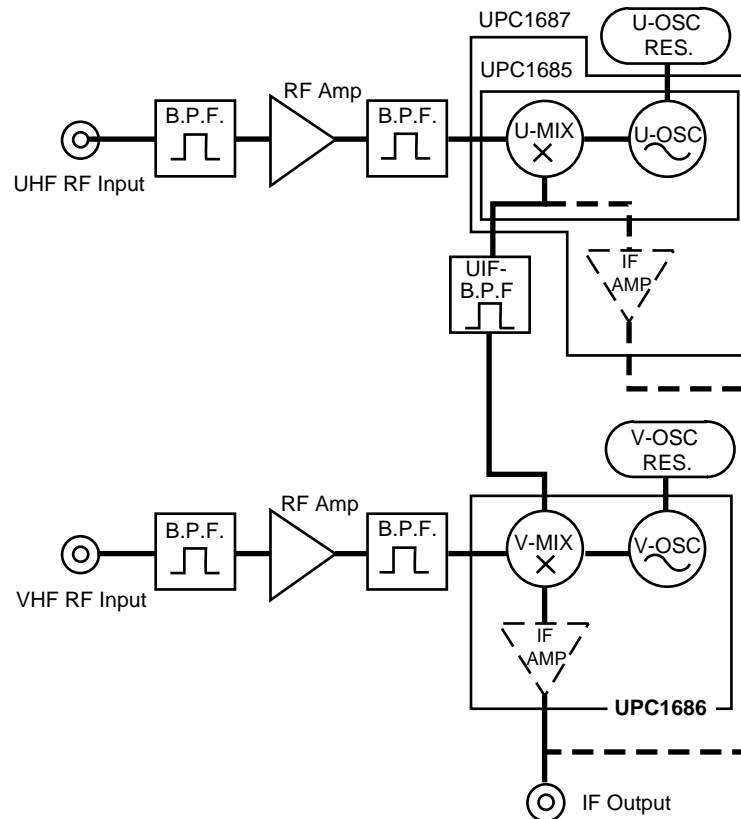
Figure 2



TYPICAL APPLICATION CIRCUIT

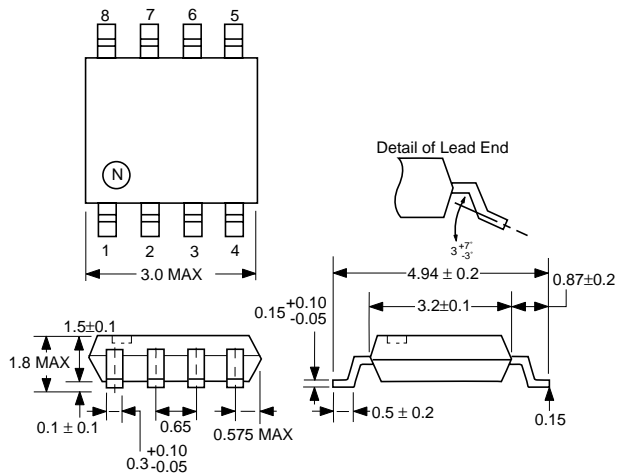


APPLICATION BLOCK DIAGRAM FOR T.V. TUNER



OUTLINE DIMENSIONS (Units in mm)

PACKAGE OUTLINE S08



PIN CONNECTION

1. OSC-Base (Bypass)
2. OSC-Base (Feedback)
3. OSC-Collector (Coupling)*
4. Vcc
5. IF OUT
6. GND
7. RF IN (Bypass)
8. RF IN

Life Support Applications

These NEC products are not intended for use in life support devices, appliances, or systems where the malfunction of these products can reasonably be expected to result in personal injury. The customers of CEL using or selling these products for use in such applications do so at their own risk and agree to fully indemnify CEL for all damages resulting from such improper use or sale.

CEL California Eastern Laboratories, Your source for NEC RF, Microwave, Optoelectronic, and Fiber Optic Semiconductor Devices.

4590 Patrick Henry Drive • Santa Clara, CA 95054-1817 • (408) 988-3500 • FAX (408) 988-0279 • www.cel.com

DATA SUBJECT TO CHANGE WITHOUT NOTICE

06/06/2005

Subject: Compliance with EU Directives

CEL certifies, to its knowledge, that semiconductor and laser products detailed below are compliant with the requirements of European Union (EU) Directive 2002/95/EC Restriction on Use of Hazardous Substances in electrical and electronic equipment (RoHS) and the requirements of EU Directive 2003/11/EC Restriction on Penta and Octa BDE.

CEL Pb-free products have the same base part number with a suffix added. The suffix –A indicates that the device is Pb-free. The –AZ suffix is used to designate devices containing Pb which are exempted from the requirement of RoHS directive (*). In all cases the devices have Pb-free terminals. All devices with these suffixes meet the requirements of the RoHS directive.

This status is based on CEL’s understanding of the EU Directives and knowledge of the materials that go into its products as of the date of disclosure of this information.

Restricted Substance per RoHS	Concentration Limit per RoHS (values are not yet fixed)	Concentration contained in CEL devices	
		-A	-AZ
Lead (Pb)	< 1000 PPM	Not Detected	(*)
Mercury	< 1000 PPM	Not Detected	
Cadmium	< 100 PPM	Not Detected	
Hexavalent Chromium	< 1000 PPM	Not Detected	
PBB	< 1000 PPM	Not Detected	
PBDE	< 1000 PPM	Not Detected	

If you should have any additional questions regarding our devices and compliance to environmental standards, please do not hesitate to contact your local representative.

Important Information and Disclaimer: Information provided by CEL on its website or in other communications concerning the substance content of its products represents knowledge and belief as of the date that it is provided. CEL bases its knowledge and belief on information provided by third parties and makes no representation or warranty as to the accuracy of such information. Efforts are underway to better integrate information from third parties. CEL has taken and continues to take reasonable steps to provide representative and accurate information but may not have conducted destructive testing or chemical analysis on incoming materials and chemicals. CEL and CEL suppliers consider certain information to be proprietary, and thus CAS numbers and other limited information may not be available for release.

In no event shall CEL’s liability arising out of such information exceed the total purchase price of the CEL part(s) at issue sold by CEL to customer on an annual basis.

See CEL Terms and Conditions for additional clarification of warranties and liability.