

EVALUATION KIT  
AVAILABLE

# MAXIM

## WCDMA Quasi-Direct Modulator with VGA and PA Driver

MAX2395

### General Description

The MAX2395 fully monolithic quasi-direct modulator IC is designed for use in WCDMA/UMTS transmitters. The quasi-direct modulation architecture reduces system cost, component count, and board space compared to transmitters using an IF SAW filter with IF VCO and IF synthesizer blocks.

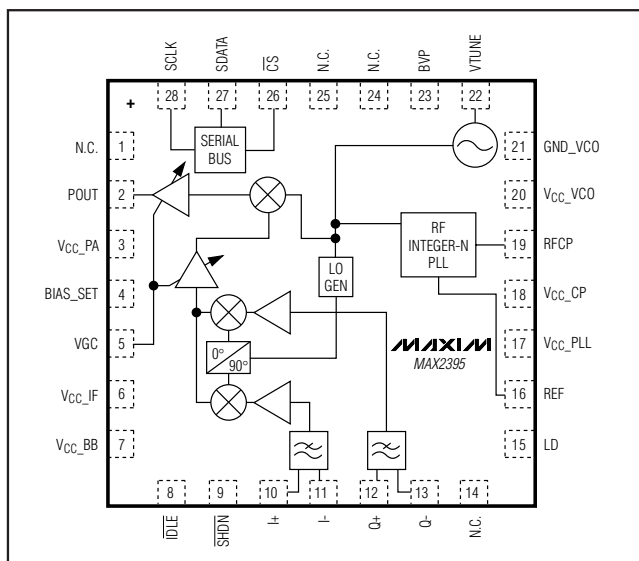
The MAX2395 includes I/Q baseband filters, an IF I/Q modulator with VGA, a fully monolithic VCO with PLL, an upconverter mixer, an RF VGA, and a power amplifier (PA) driver. The use of the quasi-direct modulator scheme ensures 5% (typ) EVM and a 30dB (min) carrier suppression. The RF VGA and IF VGA provide a nominal 90dB of output power control. No external local oscillators are required, enabling efficient implementation of variable duplex offset systems.

The PLL is programmed by loading data on the SPI™/MICROWIRE™-compatible 3-wire serial bus. The IC operates from a single +2.7V to +3.3V supply. The devices are available in space-saving 28-pin QFN and thin QFN exposed-pad packages (5mm x 5mm).

### Applications

WCDMA Phones  
UMTS/EDGE Phones  
W-TDD Phones

### Pin Configuration/ Functional Diagram



### Features

- ◆ 5% EVM for  $P_{OUT} = +6\text{dBm}$
- ◆ 1920MHz to 1980MHz Operation
- ◆ +2.7V to +3.3V Single-Supply Operation
- ◆ +6dBm Output Power at 72mA
- ◆ 81dB Minimum Automatic Gain-Control (AGC) Range
- ◆ Automatic  $I_{CC}$  Throttle Back for Optimal Power Consumption
- ◆ No IF SAW Filter Necessary
- ◆ On-Chip RF PLL, with Fully Monolithic VCO
- ◆ Ultra-Low External Component Count

### Ordering Information

PART	TEMP RANGE	PIN-PACKAGE
MAX2395EGI	-40°C to +85°C	28 QFN-EP*
MAX2395ETI	-40°C to +85°C	28 TQFN-EP*
MAX2395ETI+	-40°C to +85°C	28 TQFN-EP*

\*EP = Exposed pad.

+Denotes a lead(Pb)-free/RoHS-compliant package.

SPI is a trademark of Motorola, Inc.

MICROWIRE is a trademark of National Semiconductor Corp.

MAXIM

Maxim Integrated Products 1

For pricing, delivery, and ordering information, please contact Maxim Direct at 1-888-629-4642, or visit Maxim's website at [www.maxim-ic.com](http://www.maxim-ic.com).

# WCDMA Quasi-Direct Modulator with VGA and PA Driver

## ABSOLUTE MAXIMUM RATINGS

V<sub>CC</sub> to GND .....-0.3V to +3.6V  
 All Other Pins to GND.....-0.3V to V<sub>CC</sub> + 0.3V  
 I<sub>-</sub>, Q<sub>-</sub>, REF to GND.....1V<sub>P-P</sub>  
 Digital Input Current .....±10mA

Continuous Power Dissipation (T<sub>A</sub> = +70°C)  
 28-Pin QFN (derate 20.8mW/°C above +70°C) .....1667mW  
 28-Pin TQFN (derate 21.3mW/°C above +70°C) .....1702mW  
 Operating Temperature Range .....-40°C to +85°C  
 Junction Temperature.....+150°C  
 Storage Temperature Range .....-65°C to +160°C  
 Lead Temperature (soldering, 10s) .....+300°C

Stresses beyond those listed under "Absolute Maximum Ratings" may cause permanent damage to the device. These are stress ratings only, and functional operation of the device at these or any other conditions beyond those indicated in the operational sections of the specifications is not implied. Exposure to absolute maximum rating conditions for extended periods may affect device reliability.



**CAUTION!** ESD SENSITIVE DEVICE

## DC ELECTRICAL CHARACTERISTICS

(V<sub>CC</sub> = +2.7V to +3.3V, R<sub>BIAS</sub> = 12kΩ, T<sub>A</sub> = -40°C to +85°C. Typical values are at V<sub>CC</sub> = +2.85V and T<sub>A</sub> = +25°C, unless otherwise noted.) (Notes 1, 2)

PARAMETER	CONDITIONS	MIN	TYP	MAX	UNITS
Supply Voltage Range		2.7	2.85	3.3	V
Operating Supply Current	V <sub>VGC</sub> = 0.35V		46	60	mA
	P <sub>OUT</sub> = 0dBm		67	82	
	P <sub>OUT</sub> = +6dBm		72	90	
Idle Current	$\overline{\text{IDLE}} = V_{\text{IL}}$	IDLE_PRG = 0	16	21	
		IDLE_PRG = 1	19	27	
Shutdown Current	$\overline{\text{SHDN}} = 0$		0.5	10	μA
VGC Input Current		-10		+10	μA
VGC Input Current During Shutdown	$\overline{\text{SHDN}} = V_{\text{IL}}$			1	μA
Gain-Control Voltage Range		0.35		2.20	V
Lock Indicator High—Leakage Current	PLL locked, V <sub>LD</sub> = V <sub>CC</sub>			4	μA
Lock Indicator Low—Sink Voltage	PLL unlocked, sinking 100μA			0.4	V
$\overline{\text{SHDN}}$ Input Logic-High, V <sub>DH</sub>		1.5		V <sub>CC</sub>	V
$\overline{\text{SHDN}}$ Input Logic-Low		0		0.5	V
$\overline{\text{SHDN}}$ Input Resistance	Resistance to ground	50			kΩ
Digital Input Logic-High, V <sub>IH</sub>	All digital input pins including $\overline{\text{IDLE}}$ , SDATA, SCLK, and $\overline{\text{CS}}$ (Note 3)	0.7 x V <sub>DH</sub>		V <sub>CC</sub>	V
Digital Input Logic-Low, V <sub>IL</sub>	All digital input pins including $\overline{\text{IDLE}}$ , SDATA, SCLK, and $\overline{\text{CS}}$ (Note 3)	0		0.3 x V <sub>DH</sub>	V
Digital Control Pin Input Current	$\overline{\text{IDLE}}$ , SDATA, SCLK, and $\overline{\text{CS}}$	-10		+10	μA
I/Q Input Leakage Current		-10		+10	μA
I/Q DC Common-Mode Voltage		1.35	1.45	1.65	V

# WCDMA Quasi-Direct Modulator with VGA and PA Driver

MAX2395

## AC ELECTRICAL CHARACTERISTICS

MAX2395 EV kit,  $V_{CC} = +2.7V$  to  $+3.3V$ ,  $R_{BIAS} = 12k\Omega$ ,  $V_{VGC}$  adjusted to obtain maximum rated output power, and  $T_A = -40^\circ C$  to  $+85^\circ C$ . I/Q inputs driven differentially with low-impedance source based on 3GPP UpLink reference measurement channel (12.2kbps), envelope level 1V<sub>p-p</sub>. Typical values are at  $V_{CC} = +2.85V$  and  $T_A = +25^\circ C$ , unless otherwise noted. See Tables 1 and 3 for register settings.) (Note 2)

PARAMETER	CONDITIONS	MIN	TYP	MAX	UNITS	
<b>CASCADED RF SPECIFICATIONS</b>						
RF Frequency Range (Notes 4, 6)		1920	1950	1980	MHz	
Maximum Output Power (Note 6)	VGC set for maximum output power while meeting ACPR1, ACPR2, out-of-band emissions, and output noise density specifications	6			dBm	
Out-of-Band Emissions (Note 6)	At $f = 1575MHz$		-31	-24	dBc	
	At $RF + 2 \times IF$ (image)		-13	-8.5		
Adjacent Channel Power Ratio, ACPR1 (Notes 5, 6)	$\Delta f = \pm 5MHz/3.84MHz$ BW	$P_{OUT} > 0dBm$ and $T_A > 0^\circ C$		-48	-45	dBc
		$P_{OUT} \leq 0dBm$ and $T_A \leq 0^\circ C$		-45	-43	
Alternate Channel Power Ratio, ACPR2 (Notes 5, 6)	$\Delta f = \pm 10MHz/3.84MHz$ BW		-60	-57	dBc	
Output Noise Power Density (Note 6)	$P_{OUT} = +6dBm$ at 1920MHz, noise measured at 1880MHz		-140	-137	dBc/Hz	
	$P_{OUT} = +6dBm$ at 1980MHz, noise measured at 2110MHz		-146	-143		
Minimum Output Power	$V_{VGC} = 0.35V$		-85	-78	dBm	
Carrier Suppression		30			dB	
Sideband Suppression		32			dB	
EVM (Note 6)	Including BB filter, $P_{OUT} = +6dBm$		5	7.5	%RMS	
	Including BB filter, $P_{OUT} = -44dBm$		8.6	14.6		
<b>I/Q MODULATION BASEBAND INPUTS</b>						
Passband Amplitude Ripple	DC to 2MHz (Notes 6, 7)	-0.3		+0.4	dB	
Baseband Selectivity	Relative to passband	At 8.08MHz	8	35	dB	
		At 13.44MHz	25	50		
<b>INTEGER-N RF PLL</b>						
Main PLL Integer Division Ratios	16-bit register (64/65 dual-modulus prescaler)	4032	9750	65,535		
Reference Frequency Range		8	19.2	40	MHz	
Input Frequency for Reference Frequency Doubler	OPCTRL register bit 7 = 1	13		16	MHz	
Reference-Divider Ratio	9-bit register		80	511		
Charge-Pump Nominal Currents (Sink or Source)	Locked, $RCP1/RCP0 = 0\ 1$ , $V_{CC}/2$	1200	1500	1800	$\mu A$	
	Locked, $RCP1/RCP0 = 1\ 1$ , $V_{CC}/2$	2000	2500	3000		
Charge-Pump Leakage Current				20	nA	

# WCDMA Quasi-Direct Modulator with VGA and PA Driver

## AC ELECTRICAL CHARACTERISTICS (continued)

MAX2395 EV kit,  $V_{CC} = +2.7V$  to  $+3.3V$ ,  $R_{BIAS} = 12k\Omega$ ,  $V_{VGC}$  adjusted to obtain maximum rated output power, and  $T_A = -40^\circ C$  to  $+85^\circ C$ . I/Q inputs driven differentially with low-impedance source based on 3GPP UpLink reference measurement channel (12.2kbps), envelope level 1V<sub>p-p</sub>. Typical values are at  $V_{CC} = +2.85V$  and  $T_A = +25^\circ C$ , unless otherwise noted. See Tables 1 and 3 for register settings.) (Note 2)

PARAMETER	CONDITIONS	MIN	TYP	MAX	UNITS
<b>ON-CHIP VCO</b>					
Phase Noise	At 3MHz offset, measured at the center of the RF band (Note 6)		-130	-128	dBc/Hz
Supply Pushing	Supply stepped from +2.7V to +3.3V, with on-chip voltage regulator		±0.15		MHz/V
RF VCO Pulling	When switching from IDLE mode to active Tx mode		±0.1		MHz <sub>p-p</sub>
<b>3-WIRE SERIAL BUS INTERFACE</b>					
Data to Clock Setup, $t_{CS}$	Figure 1 (Note 6)	20			ns
Data to Clock Hold Time, $t_{CH}$	Figure 1 (Note 6)	10			ns
Clock Pulse-Width High, $t_{CWH}$	Figure 1 (Note 6)	20			ns
Clock Pulse-Width Low, $t_{CWL}$	Figure 1 (Note 6)	20			ns
Clock to Load Enable/Setup Time, $t_{ES}$	Figure 1 (Note 6)	20			ns
Clock Frequency	(Note 6)			20	MHz

**Note 1:** The following parameters are characterized using the register settings below.

**Table 1. Characterization Register Settings**

REGISTER	SETTINGS	ADDRESS	FUNCTION
RFR	4050 hex (80 dec for +R)	0000 <sub>b</sub>	Reference-divider register
OPCTRL	3B7D hex	0100 <sub>b</sub>	Operational control settings

**Note 2:** Guaranteed at  $T_A = +25^\circ C$  and  $T_A = +85^\circ C$  by production test, and guaranteed by design and characterization at  $T_A = -40^\circ C$ .

**Note 3:**  $V_{DH}$  is the high voltage applied to the shutdown pin.

**Note 4:** Output power, linearity, noise power, and LO leakage specifications are met over this frequency range.

**Note 5:** Specifications valid for all output power levels, unless limited by thermal noise at lower output power levels.

**Note 6:** Guaranteed by design and characterization.

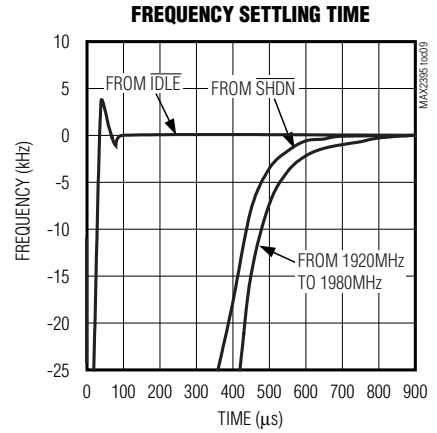
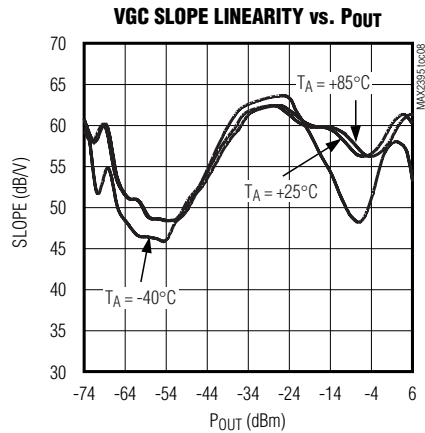
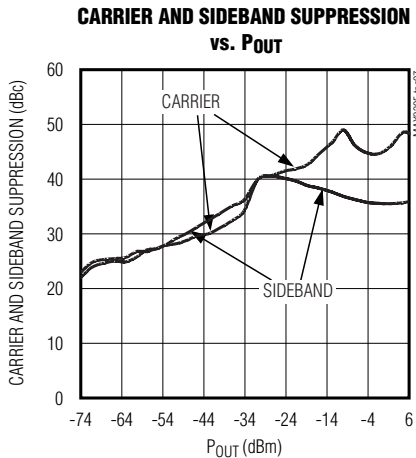
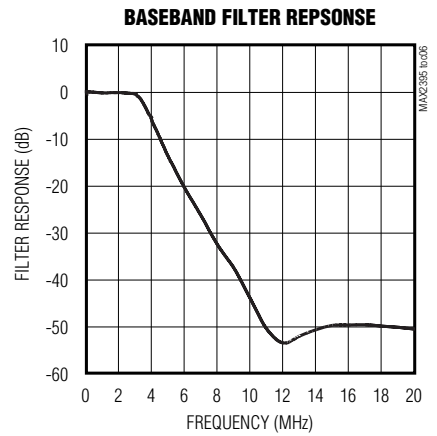
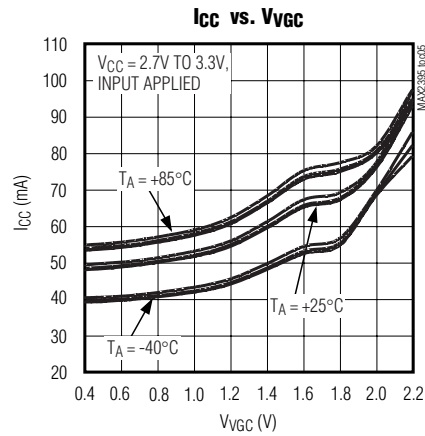
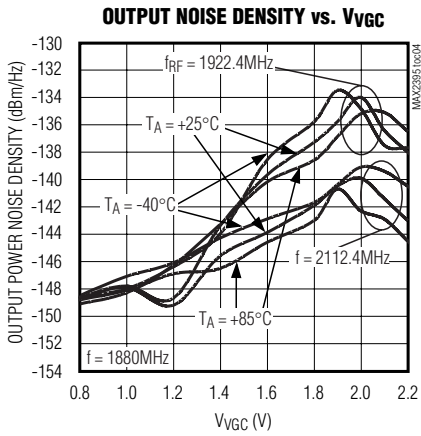
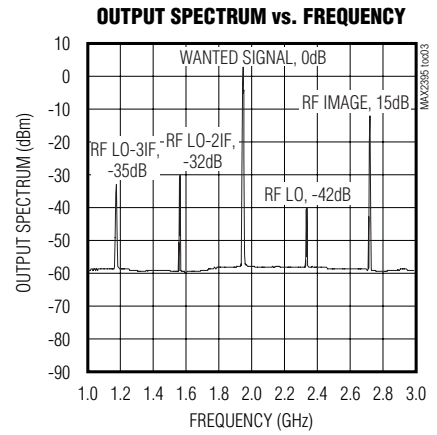
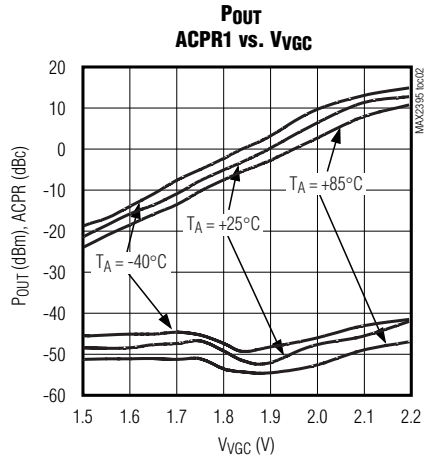
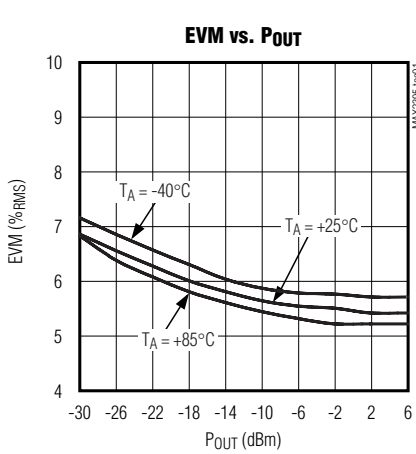
**Note 7:** Tested at 1MHz and 2MHz in the passband.

# WCDMA Quasi-Direct Modulator with VGA and PA Driver

MAX2395

## Typical Operating Characteristics

( $V_{CC} = +2.85V$ ,  $f_{RF} = 1950MHz$ ,  $MPL = 1$ , and  $T_A = +25^\circ C$ , unless otherwise noted.)



# WCDMA Quasi-Direct Modulator with VGA and PA Driver

## Pin Description

PIN	NAME	FUNCTION
1	N.C.	Connect to RF GND on PCB
2	POUT	Transmitter Output. This is an open-collector output and requires a pullup inductor to the supply voltage. This pullup inductor can be part of the output matching network and can be connected directly to the battery.
3	VCC_PA	Supply for the PA Driver. This pin must be bypassed with a capacitor to system ground as close to the pin as possible. Do not share the ground vias for the bypass capacitor with any other branch (see the <i>Typical Operating Circuit</i> ).
4	BIAS_SET	Bias-Setting Pin. The DC voltage at this pin is a bandgap voltage. For nominal bias, connect a 12k $\Omega$ resistor to ground. The value of this resistor can be adjusted to alter current consumption, linearity, and noise performance of the RF output.
5	VGC	Gain-Control Pin. Analog input pin controls both the IF VGA and RF VGA gain. When not driven, the voltage on this pin is typically +1.5V. An RC filter on this pin must be used to filter out DAC noise or the PDM clock.
6	VCC_IF	Supply for IF Section. Bypass to system ground with a capacitor as close to the pin as possible. Do not share the ground vias for the bypass capacitor with any other branch (see the <i>Typical Operating Circuit</i> ).
7	VCC_BB	Supply for Baseband Section. Bypass to system ground with a capacitor as close to the pin as possible. Do not share the ground vias for the bypass capacitor with any other branch (see the <i>Typical Operating Circuit</i> ).
8	$\overline{\text{IDLE}}$	Idle CMOS Digital Input. Drive LOW to place the device in WCDMA compressed mode (VCO and PLL are ON; all others are OFF). A small RC lowpass filter can be used to minimize the effect of external digital noise.
9	$\overline{\text{SHDN}}$	Shutdown CMOS Digital Input. Drive LOW to place the device in shutdown (everything OFF except serial interface and registers, which retain their values). A small RC lowpass filter can be used to minimize the effect of external digital noise. A logic-low on the $\overline{\text{SHDN}}$ pin overrides the serial bus $\overline{\text{SHDN}}$ bit status.
10, 11	I+, I-	Differential I-Channel Baseband Inputs to the Baseband Filter
12, 13	Q+, Q-	Differential Q-Channel Baseband Inputs to the Baseband Filter
14, 24, 25	N.C.	Leave Open
15	LD	Lock CMOS Output. This pin is an open-drain output. Output HIGH indicates the RF PLL is locked.
16	REF	Reference Frequency Input. This pin is internally biased to approximately +1.0V and must be AC-coupled to the reference source. This is a high-impedance port and can be externally terminated to the desired impedance.
17	VCC_PLL	Supply for PLL. Bypass with a capacitor to GND (see the <i>Typical Operating Circuit</i> ).
18	VCC_CP	Supply for Synthesizer Charge Pump. Bypass with a capacitor to GND (see the <i>Typical Operating Circuit</i> ).
19	RFCP	RF Charge-Pump Output. Connect the RF PLL's loop filter between RFCP and system ground. Keep the line from this pin to the tank tune input as short as possible to prevent spurious pickup. Connect the loop filter as close to the tune input as possible.

# WCDMA Quasi-Direct Modulator with VGA and PA Driver

MAX2395

## Pin Description (continued)

PIN	NAME	FUNCTION
20	VCC_VCO	Supply for VCO. Bypass to system ground with a capacitor as close to the pin as possible. Do not share ground vias for the bypass capacitor with any other branch (see the <i>Typical Operating Circuit</i> ).
21	GND_VCO	RF VCO Varactor Ground. Connect to the ground at the PLL loop-filter capacitors. Do not connect to the exposed pad.
22	VTUNE	Oscillator-Frequency Tuning Voltage Input
23	BYP	Bypass with a Capacitor to GND. The capacitor is used by the on-chip VCO voltage regulator (see the <i>Typical Operating Circuit</i> ).
26	$\overline{CS}$	3-Wire Serial Bus Enable Input (Figure 1)
27	SDATA	3-Wire Serial Bus Data Input (Figure 1)
28	SCLK	3-Wire Serial Bus Clock Input (Figure 1)
—	EP	Exposed Pad. Connect to the ground plane for proper heat dissipation.

### Detailed Description

The MAX2395 quasi-direct modulator accepts differential I/Q baseband inputs with external common-mode bias. A gain-control voltage pin (VGC) controls the gain of the IF and RF VGAs simultaneously to achieve the best current consumption and linearity performance.

#### GmC Filters

The internal GmC filters are used to eliminate noise and baseband DAC aliasing signals above 8MHz. The GmC filter can be bypassed (GMC\_EN bit, OPCTRL register bit 3), lowering the total current at the expense of no filtering. To speed up the settling time when transitioning from IDLE to transmit mode, the filter can be forced to stay active in IDLE mode using the IDLE\_PRG bit (OPCTRL register bit 1). Contact factory if bypass mode is used.

#### I/Q Modulator

Differential in-phase (I) and quadrature-phase (Q) input pins are designed to be DC-coupled and biased with the baseband output from a digital-to-analog converter (DAC). The I<sub>-</sub> and Q<sub>-</sub> inputs need a DC bias, which can range from 1.35V to 1.65V. The current draw is negligible and the differential input capacitance is 4pF. The VCO frequency is divided by 6 to produce the RF I/Q LO signals.

#### IF/RF VGA

The part offers approximately 90dB of gain-control range. An external voltage must be applied using a DAC allowing for dynamic gain control. To minimize the noise contribution from the DAC to the RF signal, place an RC filter at this pin (refer to the MAX2395 Evaluation Kit data sheet). The PA driver is included in the RF VGA.

#### Internal VCO and Tank

The integrated monolithic VCO and tank is tuned through the VTUNE pin. The RF/IF LO signals are generated from this oscillator.

#### PLL

The internal PLL uses a charge-pump output to drive a loop filter. The loop filter is typically a passive 2nd-order lead lag filter with a bandwidth of 10kHz. The loop filter must be optimized for a selected charge-pump current, where  $K_{VCO} = 90\text{MHz/V}$ . The internal architecture requires the RF VCO to run at 1.2x the desired frequency, mandating a 240kHz comparison frequency for an output step size of 200kHz. The LD output indicates whether the PLL is locked. An output high indicates a lock condition.

There is an optional frequency doubler at the input of the PLL reference divider. When using a 13MHz reference frequency, either a 40kHz comparison can be used or the internal frequency doubler is enabled to allow a comparison frequency of 80kHz. The optional frequency double can be activated by setting OPCTRL register bit 7 = 1.

#### PA Driver/RF Upconverter

The IF signal is upconverted with an image reject RF mixer, and differentially fed into the PA driver. The PA driver converts differential input signals to a single-ended output. The driver requires a pullup inductor, which is part of the output matching network.

# WCDMA Quasi-Direct Modulator with VGA and PA Driver

## Register Definition

The MAX2395 includes three programmable, 20-bit registers consisting of two divide registers and an operational control register. These registers are programmed from the SPI/ MICROWIRE-compatible serial port. The 4 least significant bits (LSBs) are reserved for the register's address. The register bits have been assigned to allow sharing of the 3-wire bus with the MAX2390/MAX2391/MAX2392/MAX2401 receiver ICs. The 16 most significant bits (MSBs) are used for register data. Data is shifted in MSB first, followed by the 4-bit address. When  $\overline{CS}$  is low, the clock input is active and data is shifted with the rising edge of the clock. When  $\overline{CS}$  transitions to high, the shift register is latched into the register selected by the contents of the address bits. Power-up defaults for the three registers are shown in Table 2. Initialize the registers according to the characterization table (Table 1).

The RFM register sets the main frequency divide ratio for the RF PLL. The RFR register sets the reference frequency divide ratio. The RF VCO frequency is determined by the following:

$$\text{RF VCO frequency} = f_{\text{REFin}} \times (\text{RFM}/\text{RFR})$$

where  $f_{\text{REFin}}$  is the external input reference frequency for the MAX2395.

The operational control register (OPCTRL) controls the state of the IC. See Table 3 for the function of each bit.

The RFR divide register includes test bits B9–B15. These bits are used to troubleshoot the VCO and synthesizer section (see Table 4). These bits are not needed for normal use and should be left as the values at power-up.

The device offers several different operation modes for conserving power. Table 5 explains how to implement each mode.

## Shutdown and Idle Mode™

The part offers a shutdown mode and idle mode for optimal power management. In shutdown mode, all functions are turned off except the serial interface. When the part is shut down using the OPCTRL register, the IC draws a residual current of 60 $\mu$ A (typ). In idle mode, the VCO, PLL, and serial interface remain on to minimize startup time. The GmC filter can be software programmed to power on or off during idle mode (see Table 5).

*Idle Mode is a trademark of Maxim Integrated Products, Inc.*

## Applications Information

### External Matching to PA

The Tx outputs are internally matched to 50 $\Omega$ . The open-collector output requires a pullup inductor to  $V_{CC}$ . The selection of matching in the MAX2395 Evaluation Kit allows optimization of ACPR.

### Electromagnetic Compliance Considerations

Two major concepts should be employed to produce a low-spur and EMC-compliant transmitter: Minimize circular current-loop area to reduce H-field radiation, and minimize losses. To minimize circular current-loop area, bypass as close to the device as possible and use the distributed capacitance of a ground plane. To minimize losses, make RF traces short.

Program only the necessary bits in any register to minimize clock cycles. RC filtering can also be used to slow the clock edges on the 3-wire interface, reducing high-frequency spectral content. RC filtering also provides for transient protection against IEC 802 testing by shunting high frequencies to ground, while the series resistance attenuates the transients for error-free operation. The same applies to the logic-input pins (SHDN, IDLE).

High-frequency bypass capacitors are required close to the pins with a dedicated via to ground. The package provides minimal inductance ground by using an exposed pad under the part. Provide at least five low-inductance vias under the pad to ground to minimize ground inductance. Use a solid ground plane wherever possible. Any cutout in the ground plane may act as a slot radiator and reduce its shield effectiveness.

### Layout Issues

The MAX2395 Evaluation Kit can be used as a reference for board layout. Gerber files are available upon request at [www.maxim-ic.com](http://www.maxim-ic.com).

To minimize coupling between different sections of the IC, the ideal power-supply layout is a star configuration, which has a large decoupling capacitor at a central  $V_{CC}$  node. The  $V_{CC}$  traces branch out from this node, each going to a separate  $V_{CC}$  node in the circuit. At the end of each trace is a bypass capacitor with impedance to ground less than 1 $\Omega$  at the frequency of interest. This arrangement provides local decoupling at each  $V_{CC}$  pin. Use at least one via per bypass capacitor.



# WCDMA Quasi-Direct Modulator with VGA and PA Driver

**Table 2. Register Power-Up Default States (f<sub>REF</sub> = 19.2MHz, f<sub>RF</sub> = 1950MHz)**

REGISTER	DEFAULT	ADDRESS	FUNCTION
RFM	9750 dec	0010 <sub>b</sub>	Main-divider ratio register
RFR	4050 hex (80 dec for +R)	0000 <sub>b</sub>	Reference-divider register
OPCTRL	197D hex	0100 <sub>b</sub>	Operational control settings

**Table 3. Operation Control Register (OPCTRL) Bit Assignments**

BIT NAME	POWER-UP STATE	BIT LOCATION (0 = LSB)	FUNCTION
$\overline{\text{SHDN}}$	1	0	Setting this bit to zero shuts down everything except the serial interface and registers, which retain their values. It is overridden by a logic-low on the $\overline{\text{SHDN}}$ pin.
IDLE_PRG	0	1	If bit is set to 1, this leaves the GmC filters and the servo loop ON when the $\overline{\text{IDLE}}$ pin goes LOW. If bit is set to zero, the GmC filters shut off when the $\overline{\text{IDLE}}$ pin goes LOW.
—	1	2	Leave in power-up state.
GmC_EN	1	3	Setting this bit to zero bypasses GmC filters.
PLL_EN	1	4	Setting this bit to zero shuts off the RF PLL.
VCO_EN	1	5	Setting this bit to zero shuts off the RF VCO.
PA_RF_IF_EN	1	6	Setting this bit to zero shuts off the PA driver, RF upconverter, and IF modulator sections.
X2_EN	0	7	Setting this bit to 1 enables the X2 multiplier for use in the REF divider section when TCXO frequency is 13MHz.
MPL	1	8	Maximum power level setting: 1 = +6dBm; 0 = +3dBm
PRD_Bias	0	9	Predriver bias: 0 = -25%; 1 = nominal
OUT_Bias	0	10	Output bias: 0 = nominal; 1 = +30%
RCP1, RCP0	1 1	12, 11	A 2-bit word sets the RF charge-pump current as follows: 0 0 = 1000 $\mu$ A 0 1 = 1500 $\mu$ A 1 0 = 2000 $\mu$ A 1 1 = 2500 $\mu$ A
AML1, AML0	0 0	14, 13	A 2-bit word sets the Ameliorator current as follows: 0 0 = Off 0 1 = Low (nominal) 1 0 = Mid 1 1 = High These bits are used in DC offset trimming mode, where DC_TRM = 1.
DC_TRM	0	15	Setting this bit to 1 enables the DC offset trimming mode.

# WCDMA Quasi-Direct Modulator with VGA and PA Driver

**Table 4. Reference-Divider (RFR) Register**

BIT NAME	POWER-UP STATE	BIT LOCATION (0 = LSB)	FUNCTION
RFR8 to RFR0	001010000	8 to 0	Reference-divider register bits
LD1, LD0	0 0	10, 9	0 0 = Normal operation (lock-detect output at LD pin) 0 1 = RFM-DIV output 1 0 = RFR-DIV output 1 1 = Low logic output
RCPT2, RCPT1, RCPT0	0 0 0	13, 12, 11	RF CP test bits: 0 0 0 = Normal mode 0 0 1 = Source sink ON 0 1 1 = Sink ON 1 0 1 = Source ON 1 1 0 = Source, sink OFF
RESERVED	1	14	Program to 1 for normal operation
RESERVED	0	15	Program to 0 for normal operation

**Table 5. Power-Down Modes**

SHDN PIN (9)	SHDN BIT (0)	IDLE PIN (8)	IDLE_PRG BIT (1)	POWER-DOWN MODES	COMMENTS	SERIAL BUS	I/Q MOD, RF UC, PA DRIVER	RF VCO	RF PLL	GmC
0	X	X	X	SHDN mode	All OFF except serial bus and registers (which retain values). A zero on the SHDN pin overrides the SHDN bit.	OFF	OFF	OFF	OFF	OFF
1	0	X	X			ON				
1	1	0	0	IDLE mode	All OFF except RF PLL, RF VCO, serial bus, and registers (which retain values). RF PLL and RF VCO are on or off depending on the control-bit values before toggling the IDLE pin to zero.	ON	OFF	X	X	OFF
1	1	0	1			ON	OFF	X	X	X
1	1	1	X	Power-up mode	The 5 different TX blocks can be toggled ON/OFF using the serial bus.	ON	X	X	X	X

# WCDMA Quasi-Direct Modulator with VGA and PA Driver

MAX2395

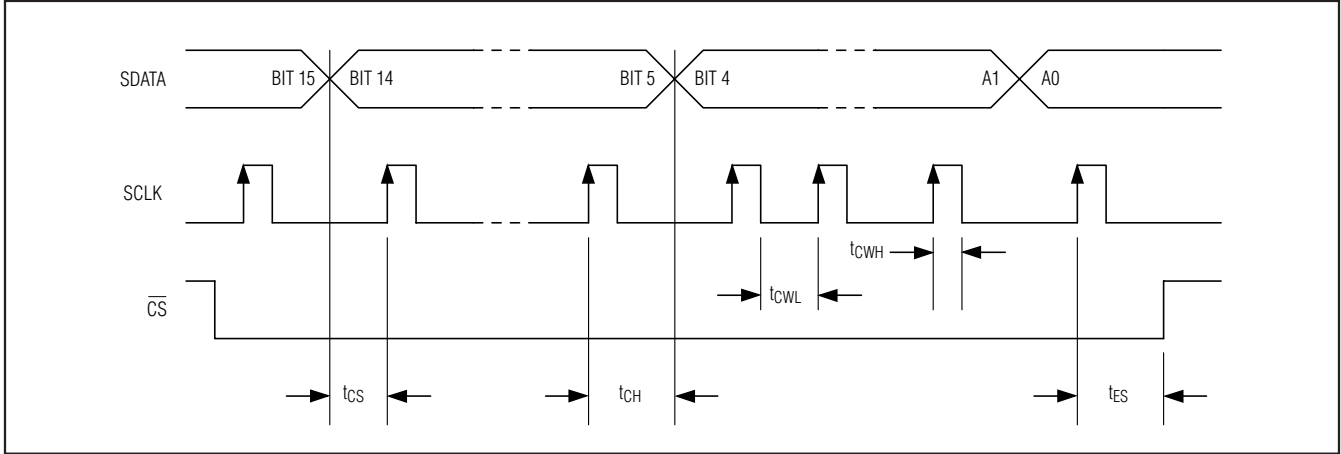


Figure 1. 3-Wire SPI/MICROWIRE Serial-Interface Timing Diagram

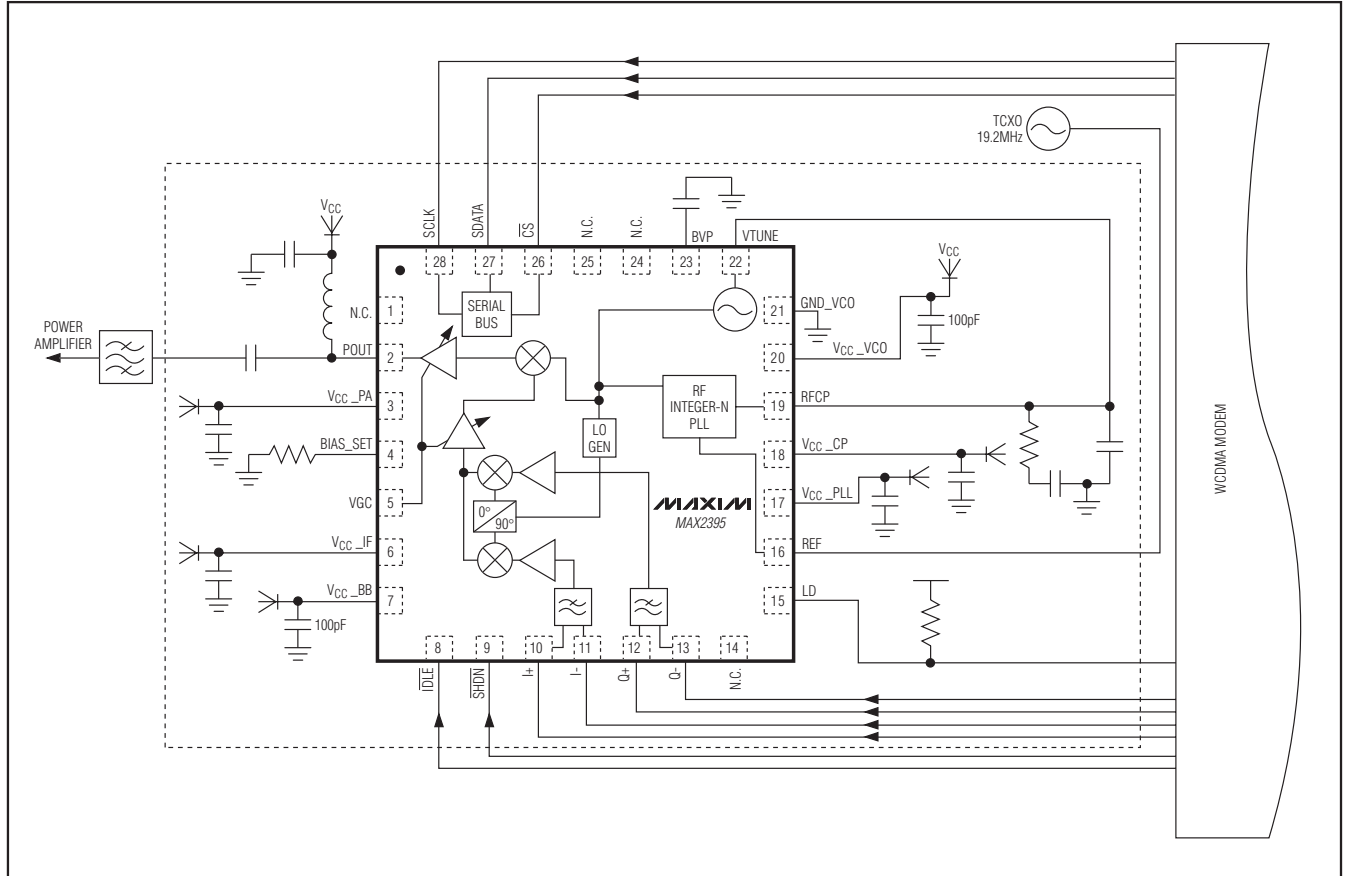
20-BIT REGISTER																ADDRESS			
DATA 16 BITS																ADDRESS 4 BITS			
B15	B14	B13	B12	B11	B10	B9	B8	B7	B6	B5	B4	B3	B2	B1	B0	A3	A2	A1	A0
RFM DIVIDE RATIO REGISTER (16 BITS)																ADDRESS			
B15	B14	B13	B12	B11	B10	B9	B8	B7	B6	B5	B4	B3	B2	B1	B0	0	0	1	0
RFR DIVIDE RATIO REGISTER (9 BITS)																ADDRESS			
B15	B14	B13	B12	B11	B10	B9	B8	B7	B6	B5	B4	B3	B2	B1	B0	0	0	0	0
OPERATION CONTROL REGISTER (16 BITS)																ADDRESS			
B15	B14	B13	B12	B11	B10	B9	B8	B7	B6	B5	B4	B3	B2	B1	B0	0	1	0	0

Figure 2. Register Assignments

It is recommended that the exposed pad be soldered to a ground plane on the PCB, either directly or through an array of plated via holes. Soldering the pad to ground is critical for proper heat dissipation. Use a solid ground plane wherever possible. Any cutout in the ground plane may act as a slot radiator and reduce its shield effectiveness.

# WCDMA Quasi-Direct Modulator with VGA and PA Driver

## Typical Operating Circuit



### Package Information

For the latest package outline information and land patterns, go to [www.maxim-ic.com/packages](http://www.maxim-ic.com/packages).

PACKAGE TYPE	PACKAGE CODE	DOCUMENT NO.
28 QFN-EP	G2855-2	<a href="#">21-0091</a>
28 TQFN-EP	T2855-3	<a href="#">21-0140</a>

# WCDMA Quasi-Direct Modulator with VGA and PA Driver

## Revision History

REVISION NUMBER	REVISION DATE	DESCRIPTION	PAGES CHANGED
2	5/05	—	—
3	1/09	Removed obsolete parts MAX2394/MAX2403/MAX2407 from data sheet	1–13

MAX2395

Maxim cannot assume responsibility for use of any circuitry other than circuitry entirely embodied in a Maxim product. No circuit patent licenses are implied. Maxim reserves the right to change the circuitry and specifications without notice at any time.

Maxim Integrated Products, 120 San Gabriel Drive, Sunnyvale, CA 94086 408-737-7600 \_\_\_\_\_ 13

© 2009 Maxim Integrated Products

Maxim is a registered trademark of Maxim Integrated Products, Inc.