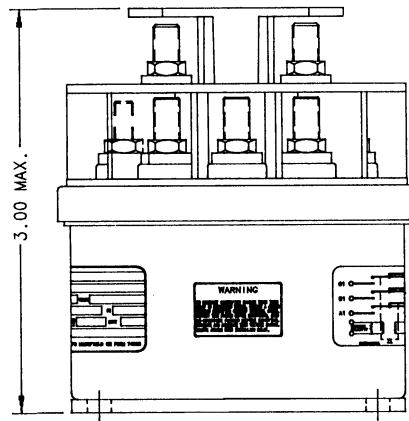
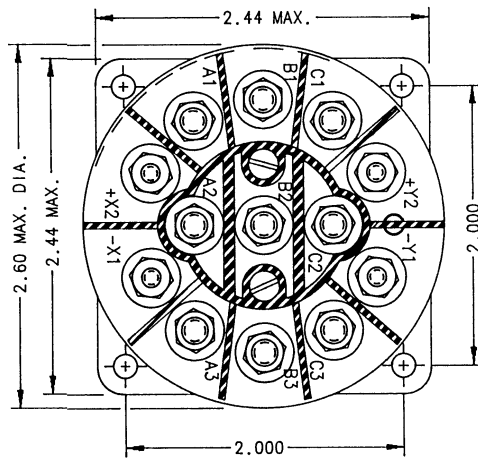


D-18F 3PDT, Center Off, 50 Amps, 115/200 VAC, 400 Hz

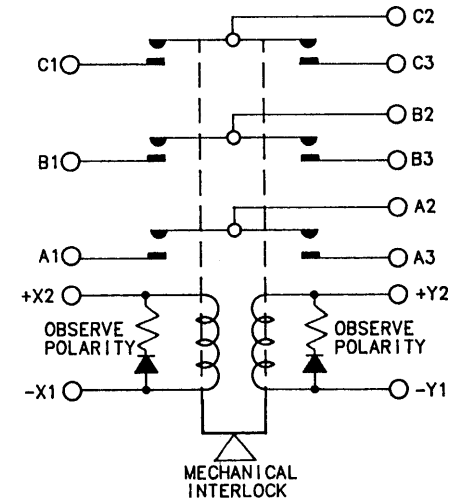


Features:

- 3PDT Center Off Main Contacts
- Transient Suppression
- Mechanically Interlocked
- 115/200 VAC, 400 Hz
- 50 Amps
- High Reliability
- Meets many requirements of MIL-R-6106



CONTACTOR CONFIGURATION



Dimensions for this product are expressed in inches. Multiply values by 25.4 for millimeters.

PRODUCT SPECIFICATIONS

| | |
|-------------------------------|-------------------------|
| Construction | Gasket Sealed, Vented |
| Main Contacts: | |
| Configuration | 3PDT Center Off |
| Voltage (Nominal) | 115/200 VAC, 400 Hz |
| Current (Resistive) | 50 Amps |
| Coil Data: | |
| Duty Cycle | Continuous |
| Voltage (Nominal) | 28 VDC |
| Pick-Up Voltage | 18 VDC Maximum |
| Drop-Out Voltage | 1.5 - 7 VDC |
| Coil Current @ 28 VDC & +25°C | 180 Milliampers Maximum |
| Operating Temperature | -55°C to +71°C |
| Life: | |
| Electrical | 50,000 Cycles |
| Mechanical | 100,000 Cycles |
| Weight Maximum | 15 Oz. |

Notes:

For factory-direct application assistance, contact the HARTMAN product team at (419) 521-9500, Fax (419) 526-2749.

© 2004 by Tyco Electronics Corporation. All Rights Reserved. HARTMAN and TYCO are trademarks.

Catalog (web doc only)
Revised 5-04

www.tycoelectronics.com

Dimensions are in inches and millimeters unless otherwise specified. Values in brackets are metric equivalents.

Dimensions are shown for reference purposes only. Specifications subject to change.

USA: 1-800-522-6752
Canada: 1-905-470-4425
Mexico: 01-800-733-8926
C. America: 52-55-5-729-0425

South America: 55-11-3611-1514
Hong Kong: 852-2735-1628
Japan: 81-44-844-8013
UK: 44-141-810-8967