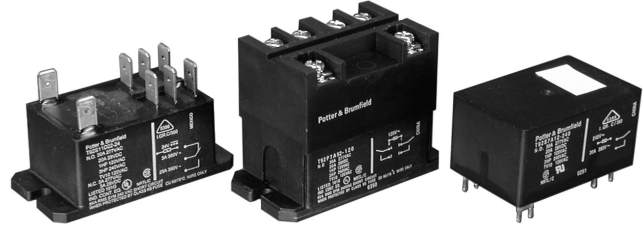


T92 Series Two-pole 30A PCB or Panel Mount Relay

- 30A, 2 form A (NO) and 2 form C (CO) switching capability
- Designed to control compressor loads to 3.5 tons, 110LRA / 25.3FLA
- Meets requirements of UL 508 and UL 873 spacings - 8mm through air, 9.5mm over surface
- Meets requirements of VDE 8mm spacing, 4kV dielectric coil-to-contact
- Meets requirements of UL Class F construction
- UL approved for 600VAC switching (1.5HP)
- New screw terminal version (consult factory for availability, ratings)



Typical applications
HVAC, residential / commercial appliances, industrial controls



Approvals

UL E22575 (Recognized and Listed); CSA LR15734; VDE REG.Nr. 5386
Technical data of approved types on request

Contact Data

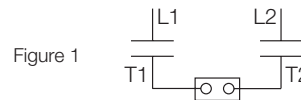
Contact arrangement	2 form A (NO), 2 form C (CO)
Rated voltage	277VAC
Max. switching voltage	600VAC
Rated current	30A NO; 3A NC
Limiting continuous current	30A NO; 3A NC
Limiting making current	30A NO; 3A NC
Limiting breaking current	30A NO; 3A NC
Contact material	AgSnOInO, AgCdO
Min. recommended contact load	500ma (NO)/ 100ma (NC), 12VAC
Frequency of operation, with load	360hr
Operate/release time max., including bounce	15/15ms

Contact ratings ¹⁾

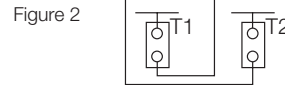
Type	Load	Cycles
UL508		
AgCdO		
NO	40A, 277VAC, resistive (flange mount only)	6x10 ³
NO	30A, 120/277VAC, resistive	100x10 ³
NO	10A, 600VAC, general purpose	100x10 ³
NO	1HP, 120VAC	100x10 ³
NO	3HP, 240VAC	1x10 ³
NO	1.5HP, 480 or 600VAC	100x10 ³
NO	110LRA/25.3FLA, 240VAC (DC coil only)	100x10 ³
NO	60LRA/14FLA, 240VAC (AC coil only)	100x10 ³
NO	3A, 240VAC, pilot duty	100x10 ³
NO	20A, 28VDC, resistive	100x10 ³
NO	TV10, 120VAC	100x10 ³
NC	3A, 277VAC	100x10 ³
NC	2A, 480VAC	100x10 ³
NC	1A, 600VAC	100x10 ³
AgSnOInO		
NO	30A, 120/277VAC, resistive (DC coil only)	200x10 ³
NO	30A, 120/277VAC, resistive (AC coil only)	100x10 ³
NO	20A, 480VAC, resistive	100x10 ³
NO	1.5HP, 120VAC, 2 pole making/breaking (Fig.1)	100x10 ³
NO	3HP, 240VAC, 3 phase (DC coil only)	100x10 ³
NO	3HP, 480VAC, 3 phase (DC coil only)	100x10 ³
NO	2HP, 600VAC, 3 phase (DC coil only)	100x10 ³
VDE		
AgCdO, flange mount relays		
NO	20A, 400VAC	100x10 ³
NC	3A, 400VAC	30x10 ³
CO	20A, 400VAC	30x10 ³
AgCdO, PC mount relays		
NO	30A, 400VAC	100x10 ³
NC	3A, 400VAC	30x10 ³
CO	30A, 400VAC	30x10 ³

Contact ratings ¹⁾ (continued)

ARI 780-86 Endurance Test (section 6.6):
HVAC Definite Purpose Contactor Standard
Normally Open Contacts
Single Phase/Two Pole (Both poles together switching a single load)
110 LRA, 25.3 FLA, 200K operations (DC Coil)



Single Phase Per Pole (Single load per pole)
110 LRA, 18 FLA, 200K operations (DC Coil).
60 LRA, 14 FLA, 200K operations (AC Coil).



¹⁾ Contact ratings at 25°C (unless otherwise noted) with relay properly vented.
FLA, LRA ratings are compatible with 3.5 ton compressor applications.

Mechanical endurance	10x10 ⁶ ops.
----------------------	-------------------------

Coil Data

Coil voltage range	5 to 110VDC; 12 to 240VAC
Max. coil power	1.7W; 4.0VA
Max. coil temperature	155°C
Coil insulation system according UL	Class F

Coil versions, DC coil

Coil code	Rated voltage VDC	Operate voltage VDC	Release voltage VDC	Coil resistance Ω±10%	Rated coil power W
6	6	4.5	0.6	22	1.7
9	9	6.75	0.9	48	1.7
12	12	9	1.2	86	1.7
18	18	13.5	1.8	197	1.7
24	24	18	2.4	350	1.7
48	48	36	4.8	1390	1.7
110	110	82.5	11	7255	1.7

Coil versions, AC coil

Coil code	Rated voltage VAC	Frequency Hz	Operate voltage VAC	Release voltage VAC	Coil resistance Ω±10%	Rated coil power VA
12	12	60	9.6	1.2	9.1	4
24	24	60	19.2	2.4	36.6	4
120	110/120	50/60	96	12	950	4
240	220/240	50/60	192	24	3800	4
277	250/277	50/60	222	28	5485	4

All figures are given for coil without preenergization, at ambient temperature +23°C.

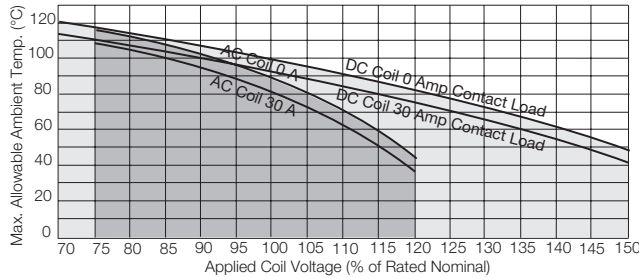
T92 Series Two-pole 30A PCB or Panel Mount Relay (Continued)

Coil Data (continued)

Ambient temperature vs. coil voltage

Assumptions:

1. Thermal resistance = 35°C per Watt (DC only.)
2. Still air.
3. Nominal coil resistance.
4. Max. mean coil temperature = 155°C (change of resistance method).
5. Coil temperature rise due to load = 6.3°C @ 30 amps.
6. Curves are based on 1.7W at 25°C (DC only.).

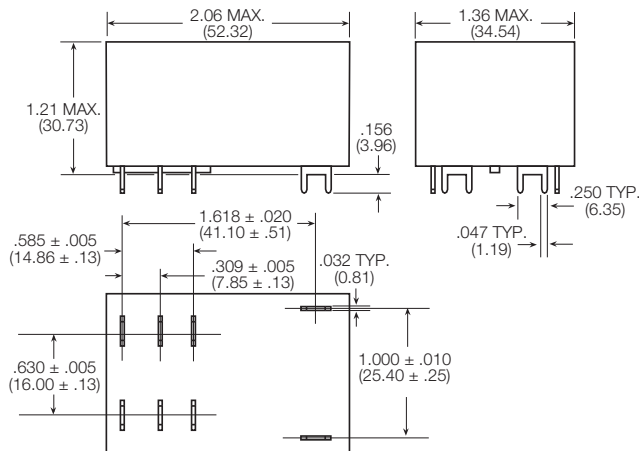


Insulation Data

Initial dielectric strength	
between open contacts	1500V _{rms}
between contact and coil	4000V _{rms}
between adjacent contact	2000V _{rms}
Initial surge withstand voltage	
between contact and coil	6kV
Initial insulation resistance	
between insulated elements	1x10 ⁹ Ω
Clearance/creepage	
between contact and coil	8mm clearance/9.5mm creepage

Dimensions

T92 – Mounting and termination code 1

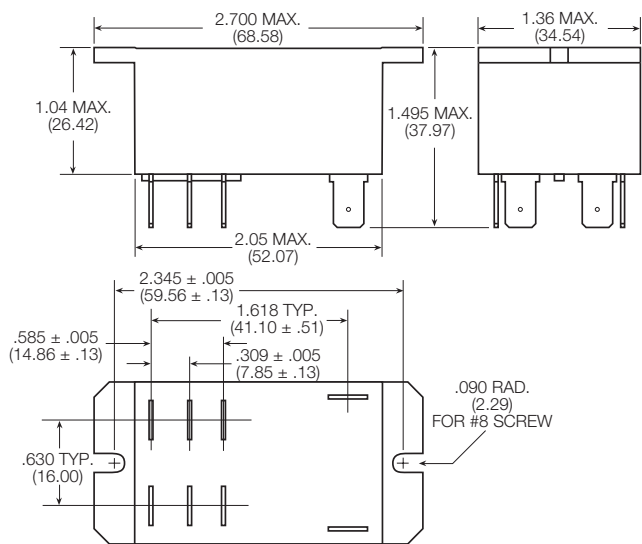


Other Data

Material compliance: EU RoHS/ELV, China RoHS, REACH, Halogen content refer to the Product Compliance Support Center at www.te.com/customer-support/rohssupportcenter

Ambient temperature	
DC coil	-55°C to 85°C
AC coil	-55°C to 65°C
Category of environmental protection	
IEC 61810	RTI - dust protected, RTII - flux proof, RTIII - wash tight
Vibration resistance (functional)	
1.65mm max excursions, 10-55 Hz	
Shock resistance (functional)	
10g for 11msec	
Shock resistance (destructive)	
100g	
Terminal type	
pcb-tht or quick connect	
Weight	
86g	
Resistance to soldering heat THT	
IEC 60068-2-20 250°C	
Packaging/unit	
tray/30 pcs., box/120 pcs.	

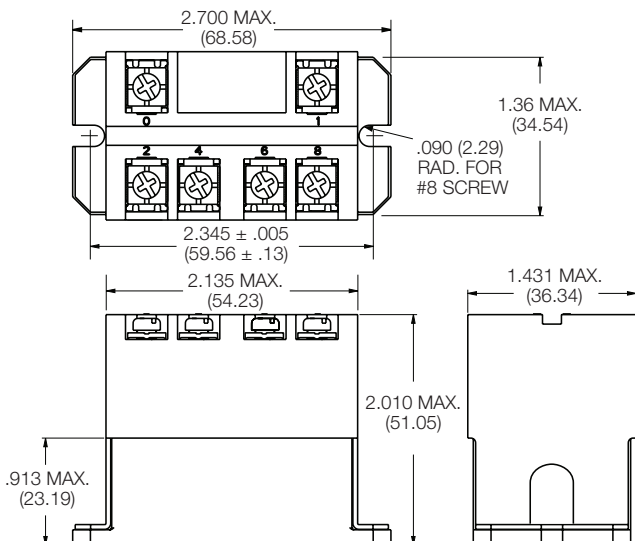
T92 – Mounting and termination code 2, 3 and 4



T92 Series Two-pole 30A PCB or Panel Mount Relay (Continued)

Dimensions

T92 – Mounting and termination code 5

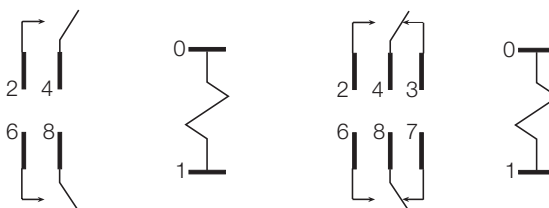


Terminal assignment

Bottom view on pins

2 Form A

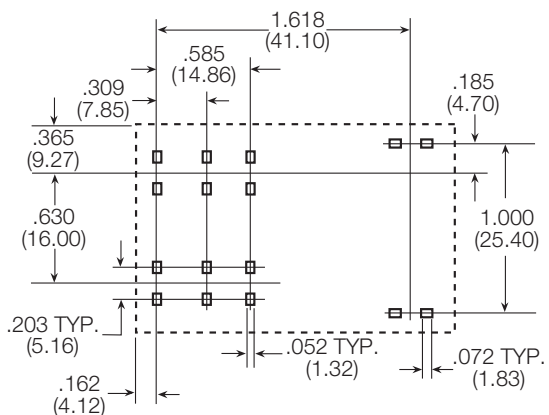
2 Form C



PCB layout

Bottom view on pins

T92 - Mounting and termination code 1



An alternate PC board layout utilizes .076 ± .003 (1.93 ± .076) diameter holes on the same center-to-center spacing shown above. Use of the rectangular holes is recommended for improved solderability.

Only necessary terminals are present on single throw models. Consequently, some holes will be unnecessary for single throw models.

Product code structure

Typical product code **T92 S 11 D 2 2 -24**

Type

T92 Printed circuit board / panel mount power relay T92

Enclosure

- P** Dust protected plastic case
- S** Wash-tight, tape sealed, plastic case (Mounting and termination code 1)
Top sealed, not wash-tight, not tape sealed on bottom (Mounting and termination codes 2, 3 & 4)

Contact arrangement

- 7** 2 form A (2 NO)
- 11** 2 form C (2 CO)

Coil Input

- A** AC voltage, 60Hz or 50/60 Hz (consult coil versions table)
- D** DC voltage

Mounting and termination

- 1** Printed circuit board mount; printed circuit board terminals.
- 2** Panel mount via flanged cover; .250" (6.35mm) x .032" (.81mm) QC terminal
- 3** Panel mount via flanged cover; .187" (4.75mm) x .032" (.81mm) QC terminals for coil and .250" (6.35mm) for contacts
- 4** Panel mount via flanged cover; .187" (4.75mm) x .020" (.51mm) QC terminals for coil and .250" (6.35mm) for contacts.
- 5** Panel mount via flanged cover, M4 screws w/ captive pressure plates. Requires Enclosure P and Contact arrangement 7.

Contact material

- 2** AgCdO
- 4** AgSnOInO

Coil voltage

Coil code: please refer to coil versions table

T92 Series Two-pole 30A PCB or Panel Mount Relay (Continued)

Product Code	Enclosure	Contacts	Coil	Mounting	Contact Material	Coil	Part Number
T92P7A22-24	Plastic dust cover	2 form A, 2 NO	AC	Panel mount + quick conn.	AgCdO	24 VAC	6-1393211-0
120 VAC						5-1393211-7	
T92P7A22-120						240 VAC	6-1393211-2
T92P7A22-240						277 VAC	6-1393211-3
T92P7A22-277						240 VAC	3-1423008-3
T92P7A24-240					AgSnOInO	240 VAC	1423008-8
T92P7A52-120					AgCdO	240 VAC	1-1423008-2
T92P7A52-240						12 VDC	6-1393211-5
T92P7D12-12			DC	PCB terminals		24 VDC	6-1393211-6
T92P7D12-24				Panel mount + quick conn.		12VDC	6-1393211-9
T92P7D22-12						24 VDC	7-1393211-1
T92P7D22-24						48 VDC	7-1393211-2
T92P7D22-48						12VDC	2-1423008-2
T92P7D24-12					AgSnOInO	24 VDC	1423008-9
T92P7D24-24							7-1393211-5
T92P7D42-24					AgCdO		1-1423008-0
T92P7D52-12				Panel mount + screw term.		12 VDC	1423967-1
T92P7D52-24						24 VDC	3-1393211-8
T92P11A12-120		2 form C, 2 CO	AC	PCB terminals		120 VAC	3-1393211-9
T92P11A22-12				Panel mount + quick conn.		12 VAC	4-1393211-3
T92P11A22-24						24 VAC	4-1393211-0
T92P11A22-120						240 VAC	4-1393211-4
T92P11A22-240						277 VAC	4-1393211-6
T92P11A22-277						240 VAC	3-1423008-7
T92P11A24-240					AgSnOInO	120VAC	4-1393211-8
T92P11A42-120					AgCdO		5-1393211-0
T92P11D12-12			DC	PCB terminals		12 VDC	5-1393211-3
T92P11D22-12				Panel mount + quick conn.		24 VDC	5-1393211-4
T92P11D22-24							3-1423008-5
T92P11D24-12					AgSnOInO	12 VDC	3-1423008-6
T92P11D24-24						24 VDC	9-1393211-8
T92S7A12-24	Wash tight	2 form A, 2 NO	AC	PCB terminals	AgCdO	24 VAC	9-1393211-7
T92S7A12-120						120 VAC	9-1393211-9
T92S7A12-240						240 VAC	1393212-4
T92S7A22-24	Top sealed			Panel mount + quick conn.		120 VAC	1393212-2
T92S7A22-120						240 VAC	1393212-5
T92S7A22-240							1393212-8
T92S7D12-12	Wash tight		DC	PCB terminals		12 VDC	1-1393212-0
T92S7D12-24					24 VDC	1-1393212-1	
T92S7D12-48						48 VDC	1393212-7
T92S7D12-110						110 VDC	1-1423008-8
T92S7D14-24					AgSnOInO	12 VDC	1-1393212-4
T92S7D22-12	Top sealed			Panel mount + quick conn.	AgCdO	18 VDC	1-1393212-5
T92S7D22-18						24 VDC	1-1393212-7
T92S7D22-24						110 VDC	1-1393212-3
T92S7D22-110							8-1393211-1
T92S11A12-24	Wash tight	2 form C, 2 CO	AC	PCB terminals		24 VAC	8-1393211-0
T92S11A12-120						120 VAC	8-1393211-2
T92S11A12-240						240 VAC	8-1393211-3
T92S11A22-12	Top sealed			Panel mount + quick conn.		12 VAC	8-1393211-6
T92S11A22-24						24 VAC	8-1393211-4
T92S11A22-120						120 VAC	8-1393211-7
T92S11A22-240						240 VAC	8-1393211-9
T92S11D12-12	Wash tight		DC	PCB terminals		12 VDC	9-1393211-0
T92S11D12-24						24 VDC	9-1393211-1
T92S11D12-48						48 VDC	8-1393211-8
T92S11D12-110						110 VDC	9-1393211-3
T92S11D22-12	Top sealed			Panel mount + quick conn.		12 VDC	9-1393211-4
T92S11D22-24						24 VDC	