

SSF series

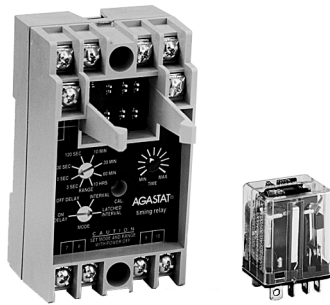
Programmable Time Delay Relay

- 4 user-programmable timing modes
- 0.1 sec. to 10 hr. programmable timing range
- Parameters set with recessed screwdriver dials
- Universal voltage (plug-in relay dependent)
- 10A DPDT replaceable output relay minimizes downtime
- Front screw terminals
- DIN-rail, panel or machine tool track mount

File E15631

File LR29186

Users should thoroughly review the technical data before selecting a product part number. It is recommended that user also seek out the pertinent approvals files of the agencies/laboratories and review them to ensure the product meets the requirements for a given application.



Timing Modes

Modes are user selectable via screwdriver adjustment of recessed 4-position selector dial. Modes offered are: On-Delay, Off-Delay, Interval and Latching Interval.

Timing Specifications

Timing Ranges: 0.1 to 3 / 0.33 to 10 / 1 to 30 / 4 to 120 sec.; 0.33 to 10 / 1 to 30 / 2 to 60 min.; 0.33 to 10 hr.

Timing Range Selection: Screwdriver select via recessed 8-position selector dial.

Timing Adjustment: Recessed potentiometer adjustment with reference calibrations.

Accuracy: Repeat Accuracy: $\pm 1\% \pm 0.01$ sec.
Overall Accuracy: $\pm 3\% \pm 0.01$ sec.

Reset Time: 30 ms.

Relay Operate Time: On-Delay and Interval mode: 30 ms.

Relay Release Time: Off-Delay, Interval and Latching Interval: 30 ms. (with factory-installed relay).

Contact Data @ 25°C

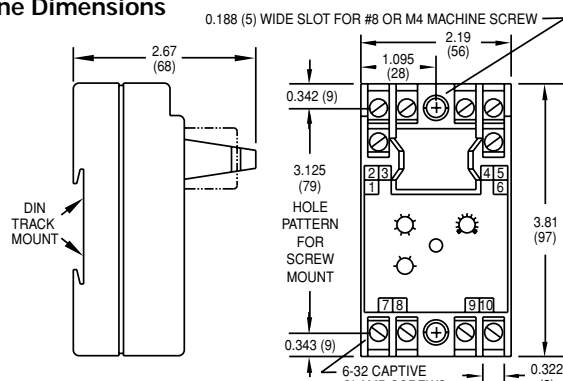
Arrangements: 2 Form C (DPDT).

Rating: 10A @ 28VDC or 120VAC, resistive; 1/3 HP @ 120/240VAC 345VA.

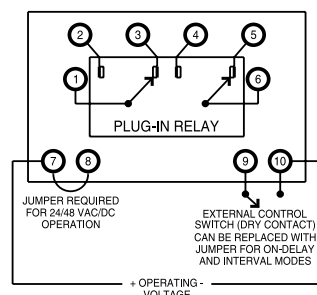
Expected Mechanical Life: 10 million operations (with factory-installed relay).

Expected Electrical Life: 500,000 operations, min., at rated resistive load (with factory-installed relay).

Outline Dimensions



Wiring Diagram (Top View)



Dimensions are shown for reference purposes only.

Dimensions are in inches over (millimeters) unless otherwise specified.

Initial Dielectric Strength

Between Coil/Control Switch and Contacts: 1,500VAC for one minute.

Input Data @ 25°C

Voltage: See Ordering Information section for details.

Power Requirement: 2W, max.

Transient Protection: Non-repetitive transients of the following magnitudes will not cause spurious operation of affect function and accuracy.

Operating Voltage	<0.1 ms	<1 ms
24, 48 VAC/VDC	1,000V	480V
120, 240VAC/VDC	3,000V	2500V*

* Min. source impedance of 100 ohm@120/240VAC, 3000V <0.1 , sec.

Environmental Data

Temperature Range: Storage: -40°C to +85°C.

Operating: -30°C to +65°C.

Mechanical Data

Mounting/Termination: Panel, DIN-rail, Machine Tool mounting track mounting case with screw terminals.

Weight: 5.5 oz. (156g) approximately.

Ordering Information

SSF	R	90	A
Series SSF Universal Timer	R = UL Recognized Component	Operating Mode 90 Multiple modes - On-Delay Off-Delay Interval Latching Interval	Operating Voltage (+10%, -15%) A = 120VAC, 50/60 Hz. B = 240VAC, 50/60 Hz. E = 24VAC, 50/60 Hz. F = 48VAC, 50/60 Hz. N = 48VDC O = 24VDC P = 125VDC X = No factory- installed relay. †

† Voltage determined by customer-supplied relay. Only relays that operate on the above-listed voltages should be used. Timer operation using other relay voltages is not recommended.

Authorized distributors are likely to stock the following:

SSFR90A
SSFR90X

Specifications and availability subject to change.

www.tycoelectronics.com
Technical support:
Refer to inside back cover.