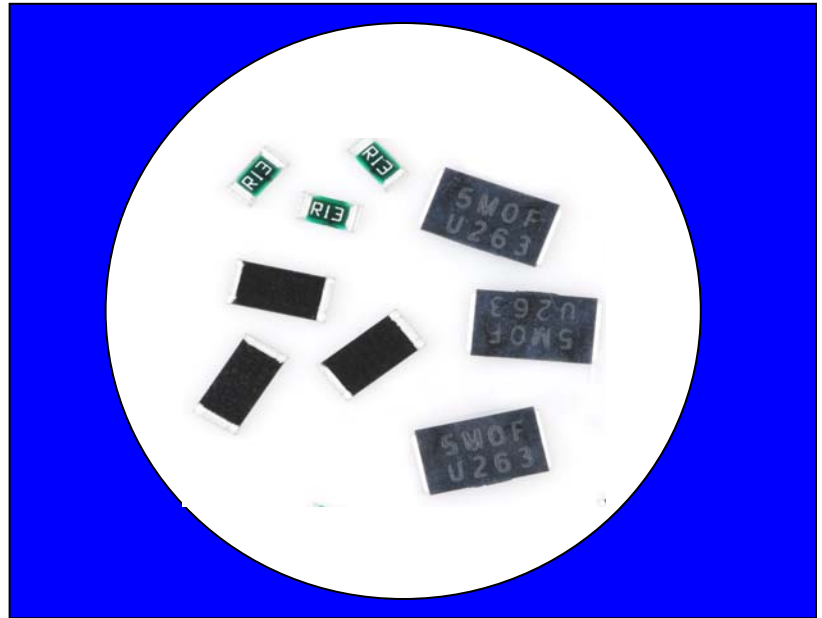


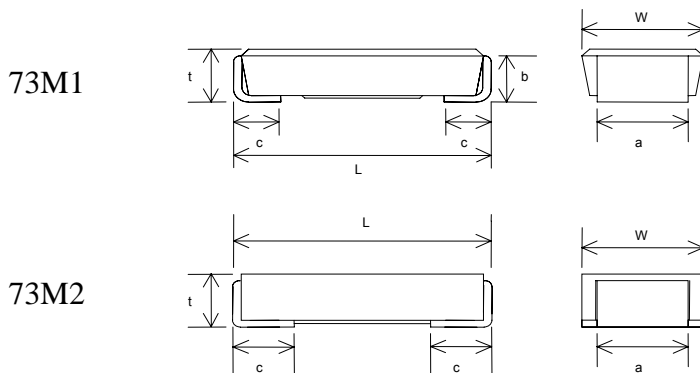
Features

- Very Low Resistance
- Surface Mount Package
- Suitable for Current Limiting, Current Detection, Motor Control, Power Supply and Hard Disk Drives
- High Precision and Excellent Accuracy for Current Detection
- Good Electrical Characteristics
- Suitable for Reflow Solder Process
- Tape and Reel Packaging
- RoHS Compliant



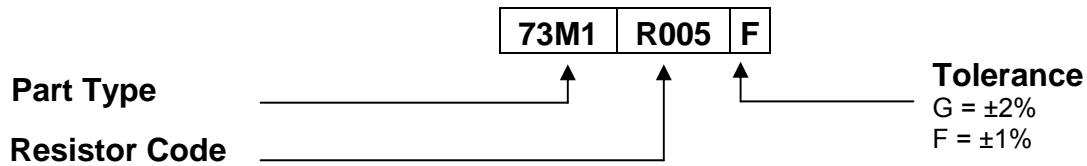
Mechanical and Performance Specifications

Type	Rated Wattage (Watts)	Resistance (Ω)	Tolerance (%)	T.C.R (ppm/ $^{\circ}$ C)	Rated Ambient Temp.	Operating Temp. Range
73M1	1.0	.003 - .009	$\pm 1, \pm 2$	$.003\Omega \leq R < .005\Omega : \pm 300$ $.005\Omega \leq R < .010\Omega : \pm 180$ $.010\Omega \leq R \leq .100\Omega : \pm 100$	70 $^{\circ}$ C	-55 $^{\circ}$ C to 180 $^{\circ}$ C
		.010 - .100	± 1			
73M2	2.0	.005 - .009	$\pm 1, \pm 2$	$R < .010\Omega : \pm 200$ $R \geq .010\Omega : \pm 100$	70 $^{\circ}$ C	-55 $^{\circ}$ C to 180 $^{\circ}$ C
		.010 - .040	± 1			



Dimensions (mm)	L	W	T	a	b	c
73M1	6.2 ± 0.3	3.1 ± 0.2	1.0 ± 0.2	2.5 ± 0.2	0.8 ± 0.2	1.2 ± 0.3
73M2	6.4 ± 0.3	3.5 ± 0.2	1.2 Max.	3.2 ± 0.2	0.8 ± 0.2	1.0 ± 0.2

How to Order



Example: 73M1R005F (No dashes or spaces)

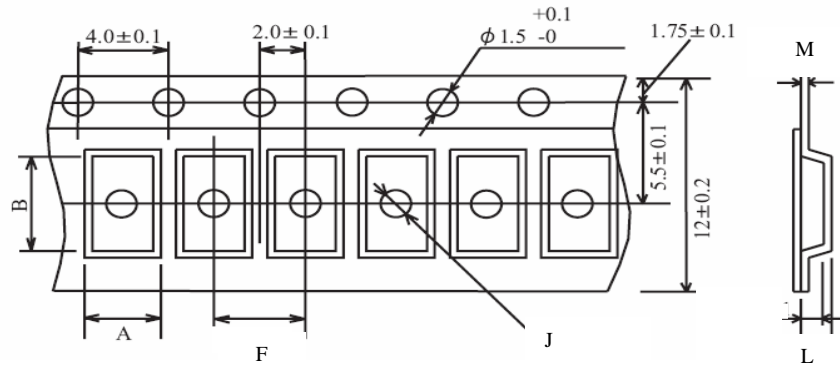
4 Digit Resistor Code
 "R" indicates decimal point

Examples: R005 = 5mΩ
 R100 = 100mΩ

Type	Part Marking
73M1	Resistance (4 digits), tolerance, product type, date of manufacture (two digits: year, month)
73M2	Resistance (3 digits), tolerance, product type & rated wattage, date of manufacture (two digits: year, month)

Packaging

- Embossed tape (mm)**



Type	A	B	F	J	L	M
73M1	3.5 ±0.1	6.6 ±0.1	8.0 ±0.10	1.5 ±0.2	1.3 ±0.1	0.3 ±0.1
73M2	4.0 ±0.1	6.9 ±0.1	8.0 ±0.10	1.5 ^{+0.10} _{-0.0}	1.4 ±0.1	0.3 ±0.1

- Reel**

Type	Qty/Reel	A (mm)
73M1	1,000	15.4 ±1.0
73M2	1,000	15.4 ±1.0

