

2 TO 4 DIFFERENTIAL CLOCK MUX

ICS557-06

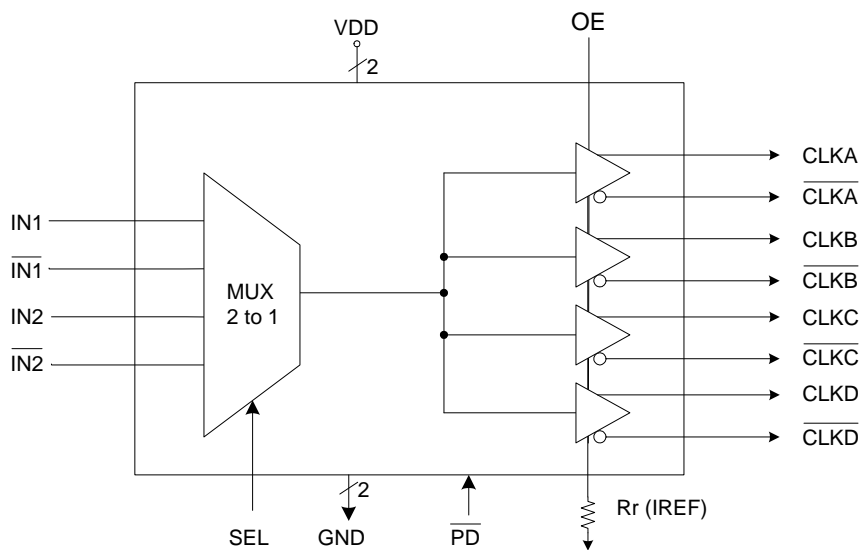
Description

The ICS557-06 is a two to four differential clock mux designed for use in PCI-Express applications. The device selects one of the two differential HCSL or LVDS input pairs and fans out to four pairs of differential HCSL or LVDS outputs.

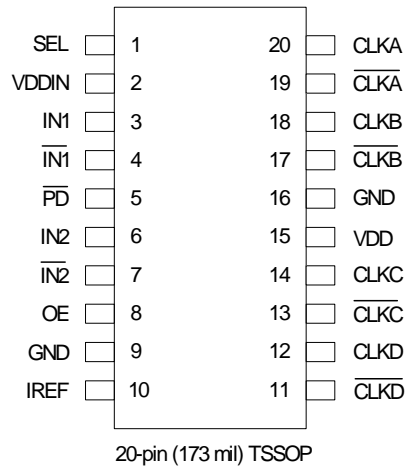
Features

- Packaged in 20-pin TSSOP
- Pb (lead) free packaging
- Operating voltage of 3.3 V
- Low power consumption
- Input differential clock of up to 200 MHz for HCSL and up to 100 MHz for LVDS
- Jitter 60 ps (cycle-to-cycle)
- Output-to-output skew of 50 ps
- Available in industrial temperature range (-40 to +85°C)

Block Diagram



Pin Assignment



Select Table

SEL	Input Pair selected
0	IN2/ $\overline{\text{IN2}}$
1	IN1/ $\overline{\text{IN1}}$

Pin Descriptions

Pin	Pin Name	Pin Type	Pin Description
1	SEL	Input	SEL=1 selects IN1/ $\overline{\text{IN1}}$. SEL =0 selects IN2/ $\overline{\text{IN2}}$. Internal pull-up resistor.
2	VDDIN	Power	Connect to +3.3 V. Supply voltage for Input clocks.
3	IN1	Input	HCSL/LVDS true input signal 1.
4	IN1	Input	HCSL/LVDS complimentary input signal 1.
5	PD	Input	Powers down the chip and tri-states outputs when low. Internal pull-up
6	IN2	Input	HCSL/LVDS true input signal 2.
7	IN2	Input	HCSL/LVDS complimentary input signal 2.
8	OE	Input	Provides fast output on, tri-states output (High = enable outputs; Low = disable). Internal pull-up resistor outputs.
9	GND	Power	Connect to ground.
10	Rr(IREF)	Output	Precision resistor attached to this pin is connected to the internal current
11	CLKD	Output	Differential Complimentary output clock D.
12	CLKD	Output	Differential True output clock D.
13	CLKC	Output	Differential Complimentary output clock C.
14	CLKC	Output	Differential True output clock C.
15	VDDOUT	Power	Connect to +3.3 V. Supply Voltage for Output Clocks.
16	GND	Power	Connect to ground.
17	CLKB	Output	Differential Complimentary output clock B.
18	CLKB	Output	Differential True output clock B.
19	CLKA	Output	Differential Complimentary output clock A.
20	CLKA	Output	Differential True output clock A.

Application Information

Decoupling Capacitors

As with any high-performance mixed-signal IC, the ICS557-06 must be isolated from system power supply noise to perform optimally.

Decoupling capacitors of 0.01 μ F must be connected between each VDD and the PCB ground plane.

PCB Layout Recommendations

For optimum device performance and lowest output phase noise, the following guidelines should be observed.

Each 0.01 μ F decoupling capacitor should be mounted on the component side of the board as close to the VDD pin as possible. No vias should be used between decoupling capacitor and VDD pin. The PCB trace to VDD pin should be kept as short as possible, as should the PCB trace to the ground via. Distance of the ferrite bead and bulk decoupling from the device is less critical.

2) An optimum layout is one with all components on the same side of the board, minimizing vias through other signal layers (the ferrite bead and bulk decoupling capacitor can be mounted on the back). Other signal traces should be routed away from the ICS557-06.

This includes signal traces just underneath the device, or on layers adjacent to the ground plane layer used by the device.

External Components

A minimum number of external components are required for proper operation. Decoupling capacitors of 0.01 μ F should be connected between VDD and GND pairs (2,9 and 15,16) as close to the device as possible.

Current Reference Source R_r (I_{ref})

If board target trace impedance (Z) is 50 Ω , then $R_r = 475\Omega$ (1%), providing IREF of 2.32 mA, output current (I_{OH}) is equal to 6*IREF.

Load Resistors R_L

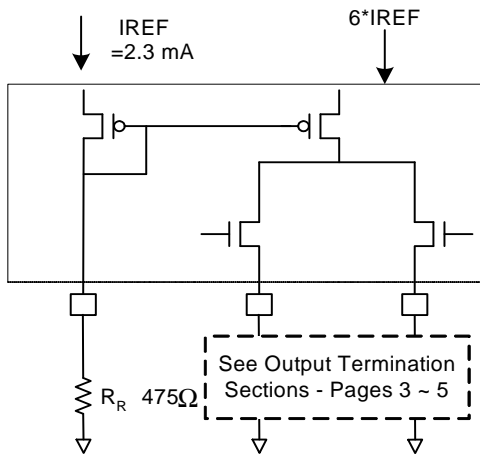
Since the clock outputs are open source outputs, 50 ohm external resistors to ground are to be connected at each clock output.

Output Termination

The PCI-Express differential clock outputs of the ICS557-06 are open source drivers and require an external series resistor and a resistor to ground. These resistor values and their allowable locations are shown in detail in the **PCI-Express Layout Guidelines** section.

The ICS557-06 can also be configured for LVDS compatible voltage levels. See the **LVDS Compatible Layout Guidelines** section.

Output Structures



General PCB Layout Recommendations

For optimum device performance and lowest output phase noise, the following guidelines should be observed.

1. Each $0.01 \mu\text{F}$ decoupling capacitor should be mounted on the component side of the board as close to the VDD pin as possible.
2. No vias should be used between decoupling capacitor and VDD pin.
3. The PCB trace to VDD pin should be kept as short as possible, as should the PCB trace to the ground via. Distance of the ferrite bead and bulk decoupling from the device is less critical.
4. An optimum layout is one with all components on the same side of the board, minimizing vias through other signal layers (any ferrite beads and bulk decoupling capacitors can be mounted on the back). Other signal traces should be routed away from the ICS557-06. This includes signal traces just underneath the device, or on layers adjacent to the ground plane layer used by the device.

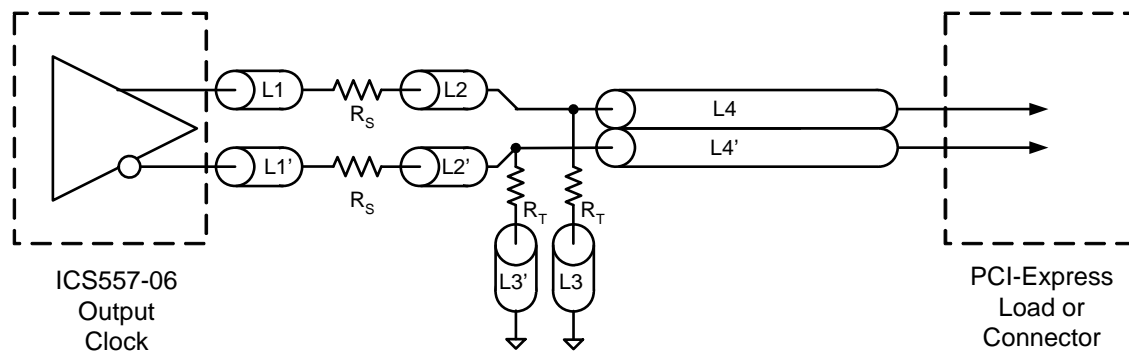
PCI-Express Layout Guidelines

Common Recommendations for Differential Routing	Dimension or Value	Unit
L1 length, Route as non-coupled 50 ohm trace.	0.5 max	inch
L2 length, Route as non-coupled 50 ohm trace.	0.2 max	inch
L3 length, Route as non-coupled 50 ohm trace.	0.2 max	inch
R_S	33	ohm
R_T	49.9	ohm

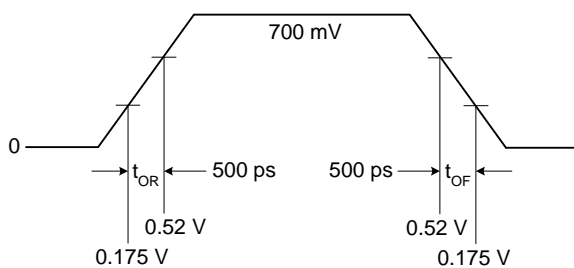
Differential Routing on a Single PCB	Dimension or Value	Unit
L4 length, Route as coupled microstrip 100 ohm differential trace.	2 min to 16 max	inch
L4 length, Route as coupled stripline 100 ohm differential trace.	1.8 min to 14.4 max	inch

Differential Routing to a PCI Express Connector	Dimension or Value	Unit
L4 length, Route as coupled microstrip 100 ohm differential trace.	0.25 to 14 max	inch
L4 length, Route as coupled stripline 100 ohm differential trace.	0.225 min to 12.6 max	inch

PCI-Express Device Routing



Typical PCI-Express (HCSL) Waveform



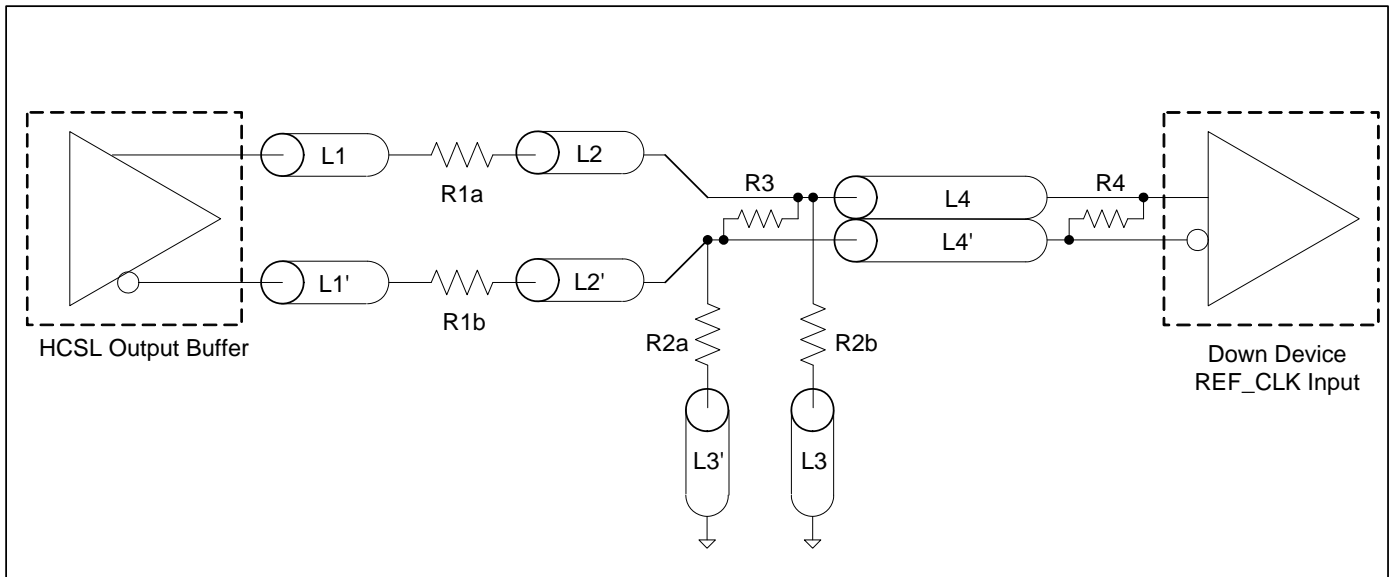
LVDS Compatible Layout Guidelines

Alternative Termination for LVDS and other Common Differential Signals							
V _{diff}	V _{p-p}	V _{cm}	R1	R2	R3	R4	Note
0.45v	0.22v	1.08	33	150	100	100	
0.58	0.28	0.6	33	78.7	137	100	
0.80	0.40	0.6	33	78.7	none	100	ICS874003i-02 input compatible
0.60	0.3	1.2	33	174	140	100	Standard LVDS

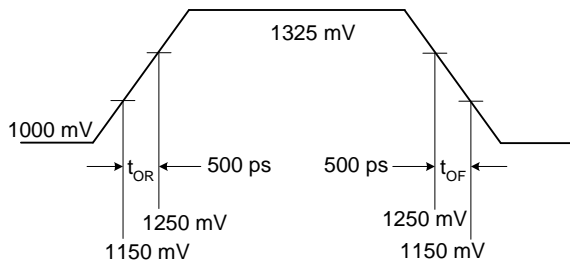
R1a = R1b = R1

R2a = R2b = R2

LVDS Device Routing



Typical LVDS Waveform



Absolute Maximum Ratings

Stresses above the ratings listed below can cause permanent damage to the ICS557-06. These ratings are stress ratings only. Functional operation of the device at these or any other conditions above those indicated in the operational sections of the specifications is not implied. Exposure to absolute maximum rating conditions for extended periods can affect product reliability. Electrical parameters are guaranteed only over the recommended operating temperature range.

Item	Rating
Supply Voltage, VDD, VDDA	5.5 V
All Inputs and Outputs	-0.5 V to VDD+0.5 V
Ambient Operating Temperature (commercial)	0 to +70° C
Ambient Operating Temperature (industrial)	-40 to +85° C
Storage Temperature	-65 to +150° C
Junction Temperature	125° C
Soldering Temperature	260° C
ESD Protection (Input)	2000 V min. (HBM)

DC Electrical Characteristics

Unless stated otherwise, VDD = 3.3 V ±5%, Ambient Temperature -40 to +85° C

Parameter	Symbol	Conditions	Min.	Typ.	Max.	Units
Supply Voltage	V		3.135		3.465	
Input High Voltage ¹	V _{IH}	OE, SEL, \overline{PD}	2.0		VDD +0.3	V
Input Low Voltage ¹	V _{IL}	OE, SEL, \overline{PD}	VSS-0.3		0.8	V
Input Leakage Current ²	I _{IL}	0 < V _{in} < VDD	-5		5	μA
Operating Supply Current	I _{DD}	50Ω, 2pF			55	mA
	I _{DDOE}	OE =Low			20	mA
	I _{DDPD}	No load, \overline{PD} =Low			400	μA
Input Capacitance	C _{IN}	Input pin capacitance			7	pF
Output Capacitance	C _{OUT}	Output pin capacitance			6	pF
Pin Inductance	L _{PIN}				5	nH
Output Resistance	R _{OUT}	CLK outputs	3.0			kΩ
Pull-up Resistor	R _{PUP}	SEL, OE, \overline{PD}		110		kΩ

1. Single edge is monotonic when transitioning through region.
2. Inputs with pull-ups/-downs are not included.

AC Electrical Characteristics - CLKOUTA/CLKOUTB

Unless stated otherwise, $V_{DD}=3.3\text{ V} \pm 5\%$, Ambient Temperature -40 to $+85^\circ\text{C}$

Parameter	Symbol	Conditions	Min.	Typ.	Max.	Units
Input Frequency					200	MHz
Output Frequency		HCSL termination			200	MHz
		LVDS termination			100	
Input High Voltage ^{1,2}	V_{IH}	HCSL	660	700	850	mV
Input Low Voltage ^{1,2}	V_{IL}	HCSL	-150	0		mV
Differential Input Voltages	(V_{ID})	LVDS	250	350	450	mV
Input Offset Voltage	(V_{IS})	LVDS	1.125	1.25	1.375	V
Output High Voltage ^{1,2}	V_{OH}	HCSL	660	700	850	mV
Output Low Voltage ^{1,2}	V_{OL}	HCSL	-150	0	27	mV
Crossing Point Voltage ^{1,2}		Absolute	250	350	550	mV
Crossing Point Voltage ^{1,2,4}		Variation over all edges			140	mV
Jitter, Cycle-to-Cycle ^{1,3}				60		ps
Rise Time ^{1,2}	t_{OR}	From 0.175 V to 0.525 V	175	332	700	ps
Fall Time ^{1,2}	t_{OF}	From 0.525 V to 0.175 V	175	344	700	ps
Rise/Fall Time Variation ^{1,2}					125	ps
Skew between Outputs		Measured at crossing point			50	ps
Duty Cycle ^{1,3}			45		55	%
Output Enable Time ⁵		All outputs		10		us
Output Disable Time ⁵		All outputs		10		us
Input to Output Delay		Input differential clock to output differential clock delay measured at mid point of input levels to mid pint of output levels		3		ns

¹ Test setup is $R_L=50$ ohms with 2 pF, $R_r = 475\Omega$ (1%).

² Measurement taken from a single-ended waveform.

³ Measurement taken from a differential waveform.

⁴ Measured at the crossing point where instantaneous voltages of both CLKOUT and $\overline{\text{CLKOUT}}$ are equal.

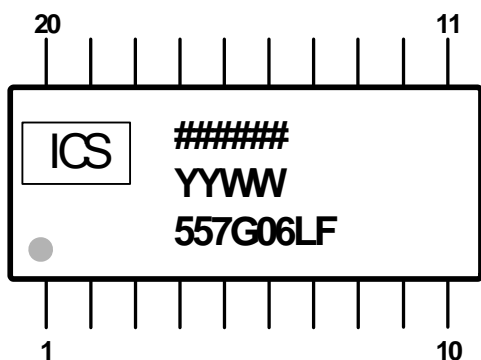
⁵ CLKOUT pins are tri-stated when OE is Low asserted. CLKOUT is driven differential when OE is High unless its $\overline{\text{PD}}$ = low.

Thermal Characteristics

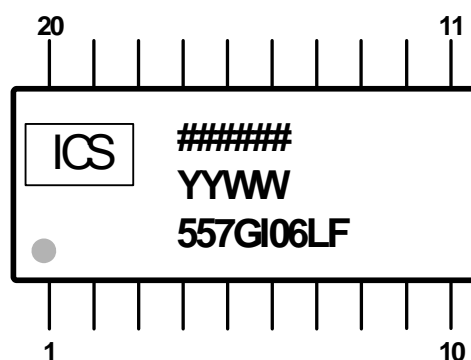
Parameter	Symbol	Conditions	Min.	Typ.	Max.	Units
Thermal Resistance Junction to Ambient	θ_{JA}	Still air		93		°C/W
	θ_{JA}	1 m/s air flow		78		°C/W
	θ_{JA}	3 m/s air flow		65		°C/W
Thermal Resistance Junction to Case	θ_{JC}			20		°C/W

Marking Diagrams

(ICS557G-06LF)



(ICS557GI-06LF)

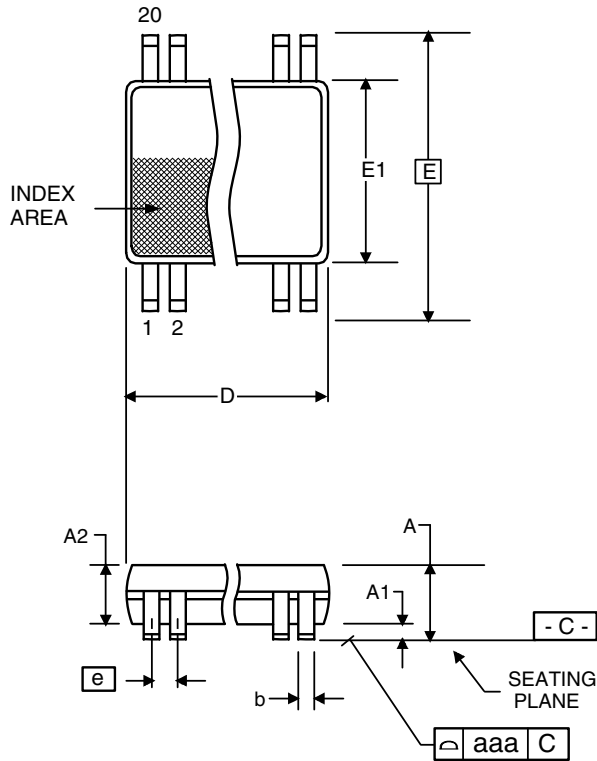


Notes:

1. ##### is the lot code.
2. YYWW is the last two digits of the year, and the week number that the part was assembled.
3. "LF" denotes Pb free package.
4. "I" denotes industrial temperature.
5. Bottom marking: (origin). Origin = country of origin if not USA.

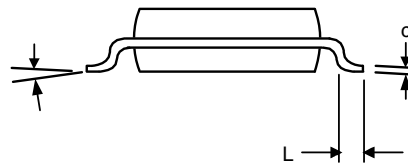
Package Outline and Package Dimensions (20-pin TSSOP, 173 Mil. Narrow Body)

Package dimensions are kept current with JEDEC Publication No. 95



Symbol	Millimeters		Inches*	
	Min	Max	Min	Max
A		1.20		0.047
A1	0.05	0.15	0.002	0.006
A2	0.80	1.05	0.032	0.041
b	0.19	0.30	0.007	0.012
c	0.09	0.20	0.0035	0.008
D	6.40	6.60	0.252	0.260
E	6.40 BASIC		0.252 BASIC	
E1	4.30	4.50	0.169	0.177
e	0.65 Basic		0.0256 Basic	
L	0.45	0.75	0.018	0.030
a	0°	8°	0°	8°
aaa	--	0.10	--	0.004

*For reference only. Controlling dimensions in mm.



Ordering Information

Part / Order Number	Marking	Shipping Packaging	Package	Temperature
557G-06LF	See Page 9	Tubes	20-pin TSSOP	0 to +70° C
557G-06LFT		Tape and Reel	20-pin TSSOP	0 to +70° C
557GI-06LF		Tubes	20-pin TSSOP	-40 to +85° C
557GI-06LFT		Tape and Reel	20-pin TSSOP	-40 to +85° C

"LF" suffix to the part number are the Pb-Free configuration and are RoHS compliant.

While the information presented herein has been checked for both accuracy and reliability, Integrated Device Technology (IDT) assumes no responsibility for either its use or for the infringement of any patents or other rights of third parties, which would result from its use. No other circuits, patents, or licenses are implied. This product is intended for use in normal commercial applications. Any other applications such as those requiring extended temperature range, high reliability, or other extraordinary environmental requirements are not recommended without additional processing by IDT. IDT reserves the right to change any circuitry or specifications without notice. IDT does not authorize or warrant any IDT product for use in life support devices or critical medical instruments.

Innovate with IDT and accelerate your future networks. Contact:

www.IDT.com

For Sales

800-345-7015
408-284-8200
Fax: 408-284-2775

For Tech Support

www.idt/go/clockhelp

Corporate Headquarters

Integrated Device Technology, Inc.
www.idt.com

