

PCI 6154

Connectivity

- 64-bit, 33MHz-66MHz Asynchronous operation
- 5V signal input tolerance and 5V signal to 3.3V signal conversions
- 31mm x 31mm PBGA
- 1KB FIFO size
- PCI Bus Types
- Transparent Bridge Function
- Support for 9 Bus Masters

Performance

- **Flow-Thru™** architecture for higher PCI-to-PCI bridging efficiency
- Intel 21154 pin compatible, plus enhanced features
- Independent external clock input option for secondary port output clocks
- Large 1K Byte buffer for efficient PCI-to-PCI bridging and speed conversion
- 9 pairs of REQ/GNT signals support up to 8 bus masters directly on secondary bus
- EEPROM support for extra register control
- Vital Product Data (VPD)
- 4 general purpose IO interface
- PME D3 wakeup power



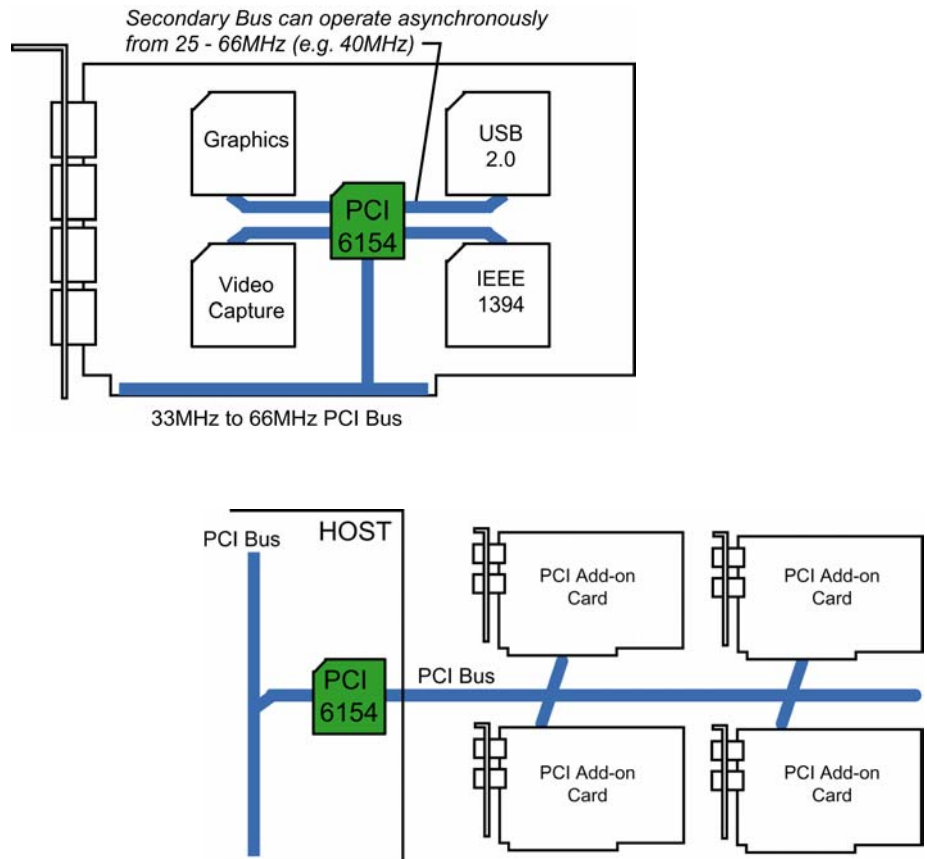
PLX Technology, Inc.
870 Maude Ave.
Sunnyvale, CA 94085 USA
Tel: 1-800-759-3735
Tel: 1-408-774-9060
Fax: 1-408-774-2169
Email: info@plxtech.com
Web Site: www.plxtech.com

Asynchronous FastLane™ PCI-to-PCI Bridge

Adaptive High Performance Asynchronous 66MHz, 64-bit, PCI-to-PCI Bridge for Servers, Storage, DSP, Telecommunication, Networking and Embedded Applications

PLX's FastLane™ PCI 6154 is a 64-Bit PCI-to-PCI bridge designed for high performance, high availability applications in bus expansions, programmable data transfer rate control, frequency conversions from slower PCI to faster PCI buses or from faster PCI to slower PCI buses.

The FastLane PCI 6154 includes sophisticated buffer management and buffer configuration options designed to provide customizable performance optimization.



Product Ordering Information

Part Number	Description
PCI 6154-xx66BC	PCI 6154 PCI-to-PCI Bridge Chip (PBGA)

Please visit the PLX Web site at <http://www.plxtech.com> or contact PLX sales at 408-774-9060 for more information.