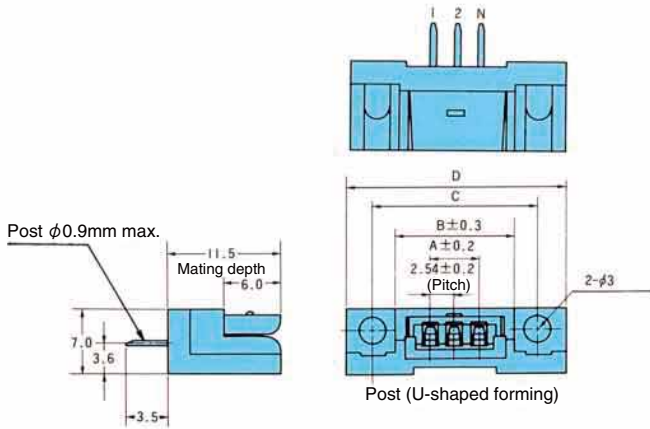


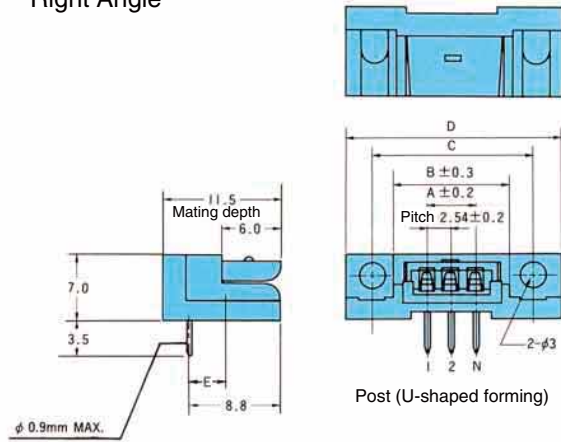
SERIES 9021

Single row type with flange for printed circuit boards

Vertical



Right Angle



No. of positions	A	B	C	D	E	Remarks
6	12.70	20.70	25.65	31.7	2.4	With the locking structure
12	27.94	35.94	40.89	46.9	2.4	
16	38.10	46.10	51.05	57.1	2.4	
20	48.26	56.26	61.21	67.3	3.3	No locking structure

Ordering code

Part number: 00 9021 0613 00 339

No. of positions

6,12,16,20

Variation(Terminating type)

13 : Right Angle

14 : Vertical

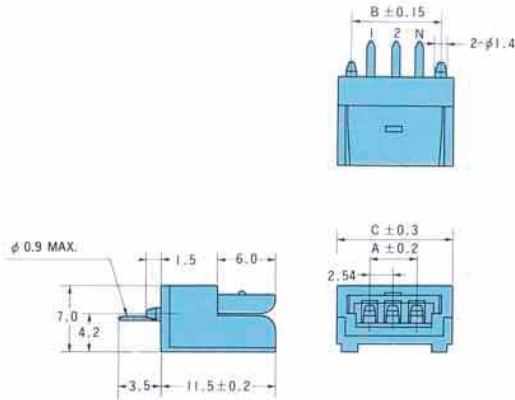
Plating code

339 : Au plated

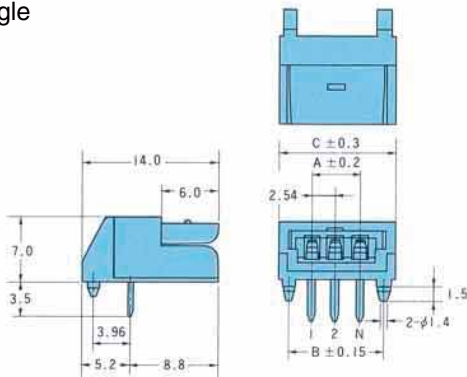
SERIES 9021

Single row type with
no flange for printed
circuit boards

Vertical

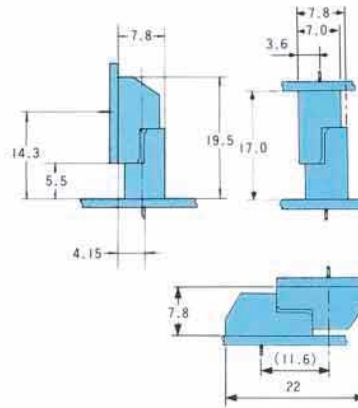


Right Angle

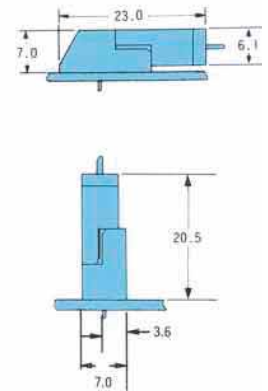


Mating dimensions

Connection of a board and board

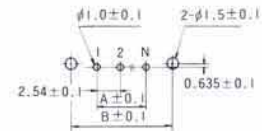


Connection of a board and crimped wire

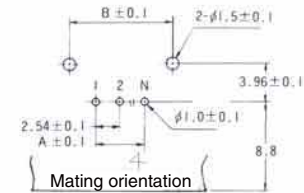


Mounting dimensions on the P.C.board

Vertical



Right Angle



No. of positions	A	B	C	Remarks	
2	2.54	7.62	10.54	With the locking structure	
3	5.08	11.58	13.08		
4	7.62	12.70	15.62		
6	12.70	17.78	20.70		
8	17.78	22.86	25.78		
10	22.86	27.94	30.86		
12	27.94	33.02	35.94		
14	33.02	38.10	41.02		
16	38.10	43.18	46.10		
18	43.18	48.26	51.18		
20	48.26	53.34	56.26		No locking structure

Ordering code

Part number

00

9021

0211

00

339

No. of positions

2,3,4,6,8,10,12,14,16,18,20

Variation(Terminating type)

11 : Right Angle

12 : Vertical (Note: 20Pos. is Right Angle type only.)

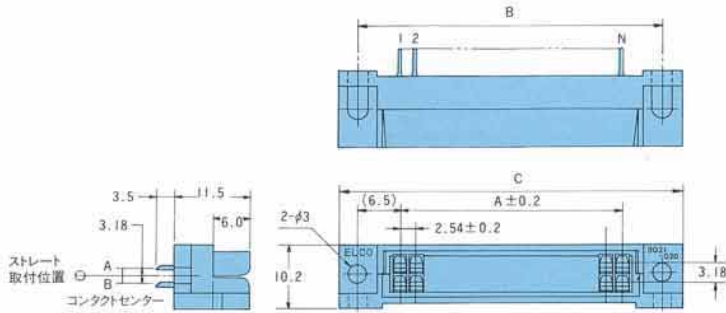
Plating code

339 : Au plated

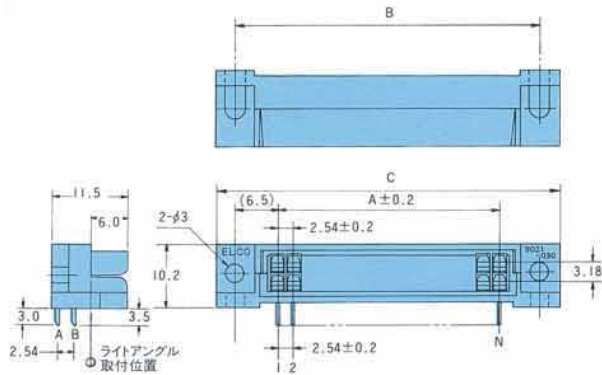
Vertical

SERIES 9021

Dual type for printed circuit boards



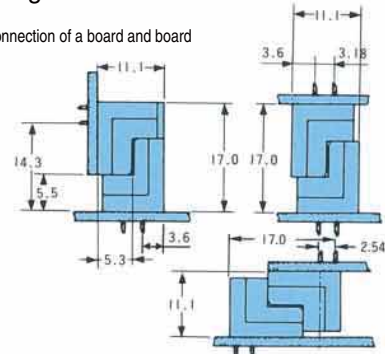
Right Angle



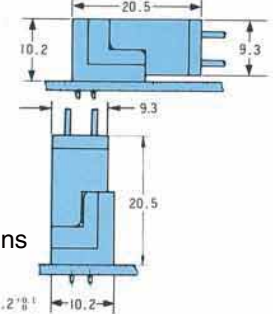
No. of positions	A	B	C
14 (7 / 7)	15.24	—	23.24
20 (10 / 10)	22.86	35.81	41.9
26 (13 / 13)	30.48	43.43	49.5
30 (15 / 15)	35.56	48.51	54.6
36 (18 / 18)	43.18	56.13	62.2
40 (20 / 20)	48.26	61.21	67.3

Mating dimensions

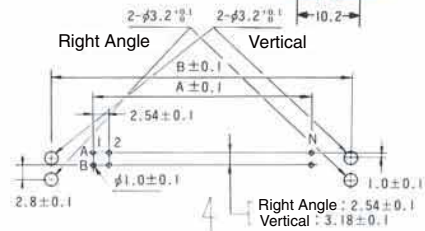
Connection of a board and board



Connection of a board and crimped wire



Mounting dimensions on the P.C. board



Mating orientation (Right Angle)

Ordering code

Part number

00 9021 1421 00 339

No. of positions

14,20,26,30,36,40

Variation(Terminating type)

21	Right Angle type with no flange (only for 14-contact)
22	Vertical type with no flange (only for 14-contact)
23	Right Angle type with the flange
24	Vertical type with the flange

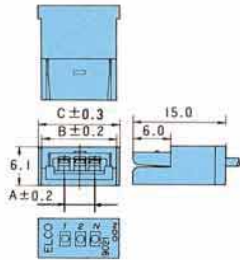
Plating code

339 : Au plated

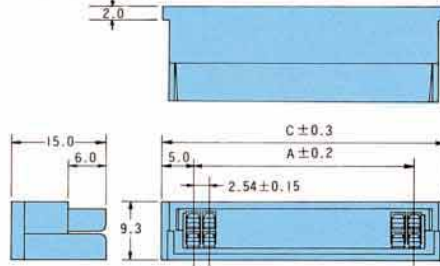
SERIES 9021 Insulator

Crimp type

Single type



Dual type



Single type

No. of positions	A	B	C
2	2.54	10.54	12.5
3	5.08	13.08	15.1
4	7.62	15.62	17.6
6	12.70	20.70	22.7
8	17.78	25.78	27.8
10	22.86	30.86	32.9
12	27.94	35.94	37.9
14	33.02	41.02	43.0
16	38.10	46.10	48.1
18	43.18	51.18	53.2
20	48.26	56.26	58.2

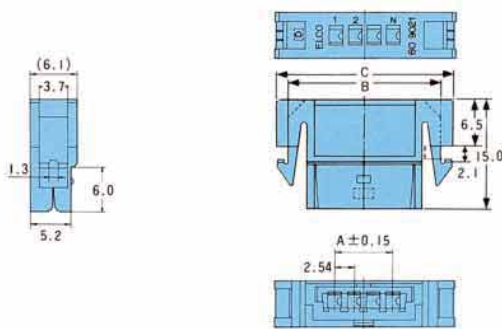
Dual type

No. of positions	A	C
14 (7 / 7)	15.24	23.30*
20 (10/10)	22.86	32.86
26 (13/13)	30.48	40.48
30 (15/15)	35.56	45.56
36 (18/18)	43.18	53.18
40 (20/20)	48.26	58.26

*with no flange

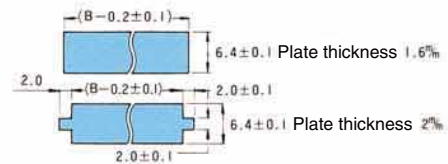
(Note) the location of flange for 14-position type is different from others.

Panel mounted type



No. of positions	A	B	C
2	2.54	15.74	19.34
3	5.08	18.28	21.88
4	7.62	20.82	24.42
6	12.70	25.90	29.50
8	17.78	30.98	34.58
10	22.86	36.06	39.66
12	27.94	41.14	44.74

Shape of the panel to be mounted



Ordering code

Crimp type

Part number **60 9021 3024 10 000**

No. of positions

Single type : **2,3,4,6,8,10,12,14,16,18,20**

Dual type : **14,20,26,30,36,40**

Variation

1 : Single type

2 : Dual type

Color code

000: Green

Panel mounted type

Part number **60 9021 3028 16 000**

No. of positions

2,3,4,6,8,10,12

Color code

000:Green 001:White 002:Black

Contact

Part number **60 9021 0313 00 339**

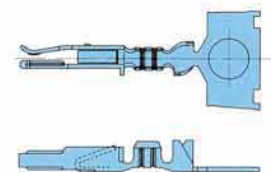
Variation

0313 00: Contacts loose

0323 99: Reeled Contacts(10,000 contacts per reel)

Plating code

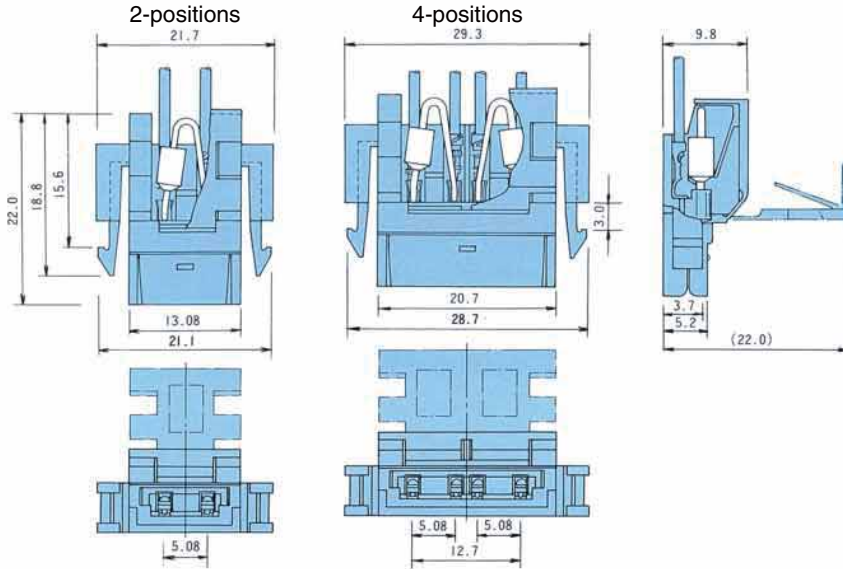
339: Au plated



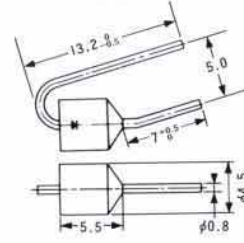
SERIES 9021

Surge killer

Insulator



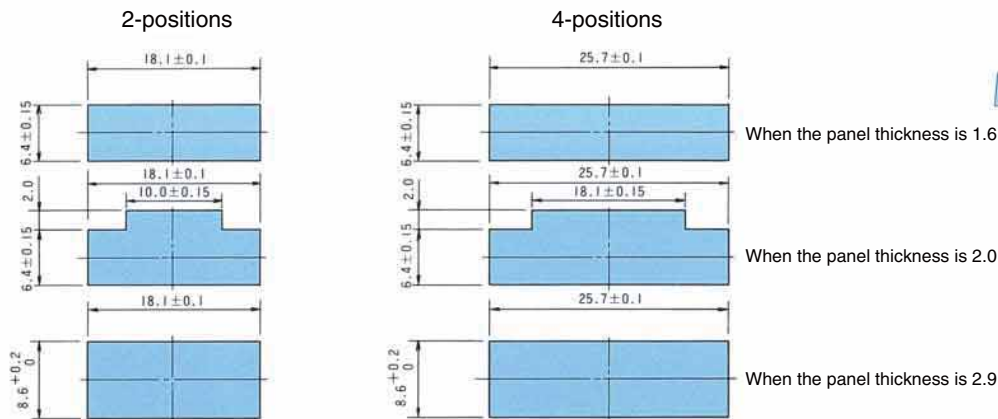
Diode



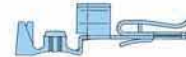
Recommended diode

Z-1047(1401-0728)manufactures by
Ishizuka Electronics Corp.

Shape of the panel to be mounted



Contact



Ordering code

Insulator

Part number **60 9021 3038 17 002**

No. of positions

03 : 2-positions (Mating with a 3-positions connector)
06 : 4-positions (Mating with a 6-positions connector)

Contact

Part number **60 9021 0527 00 392**

Variation

00 : Contacts loose
99 : Reeled Contacts(3,000 contacts per reel)

Plating code

392 : 2μm or thicker of silver (Ag) plated