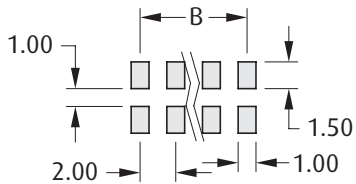
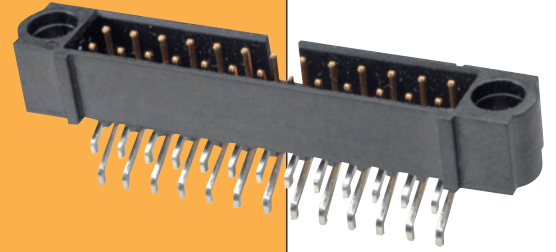


Datamate Connectors

Male Horizontal Surface Mount

- ❖ Contact datamate@harwin.com for tape & reel options.
- ❖ Mates with female connectors shown on pages 26, 28-30 and 32-33.
- ❖ Stamped contact ensures co-planarity.

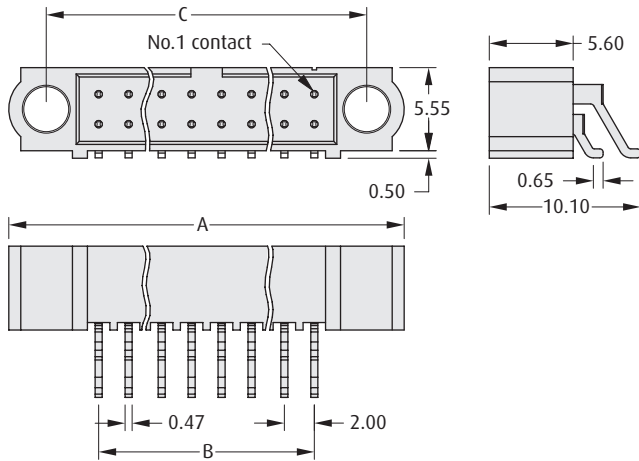


Recommended PC Board Pattern

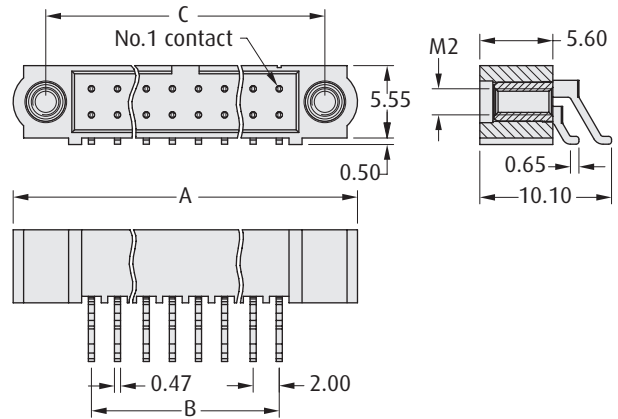
CALCULATION

| | |
|----------|---------------------------|
| A | $B + 12$ |
| B | Total No. of contacts - 2 |
| C | $B + 7$ |

WITHOUT JACKSCREWS



WITH JACKSCREWS



HOW TO ORDER

M80 - 5 X 2 XX XX

SERIES CODE

TYPE

| | |
|---|--------------------|
| 3 | With Jackscrews |
| 5 | Without Jackscrews |

FINISH

| | | |
|----|-----------------|--|
| 05 | Gold | |
| 22 | Gold + Tin/Lead | |
| 42 | Gold + Tin | |

TOTAL NO. OF CONTACTS

04 to 50

Even numbers only

All dimensions in mm.

www.harwin.com

