

Customer Information Sheet

DRAWING No.: M22-636XXXXR

IF IN DOUBT - ASK

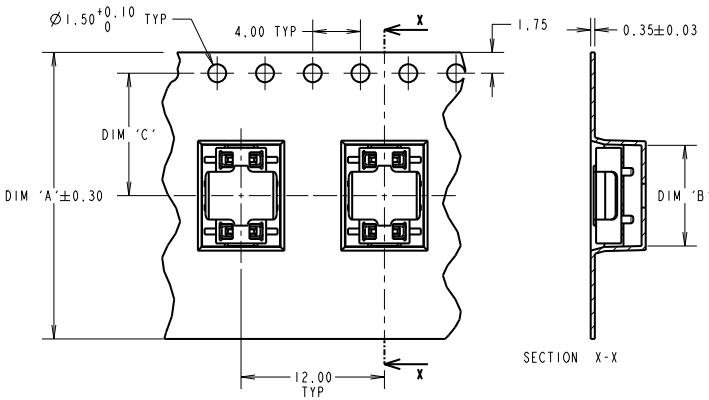
(C)

NOT TO SCALE

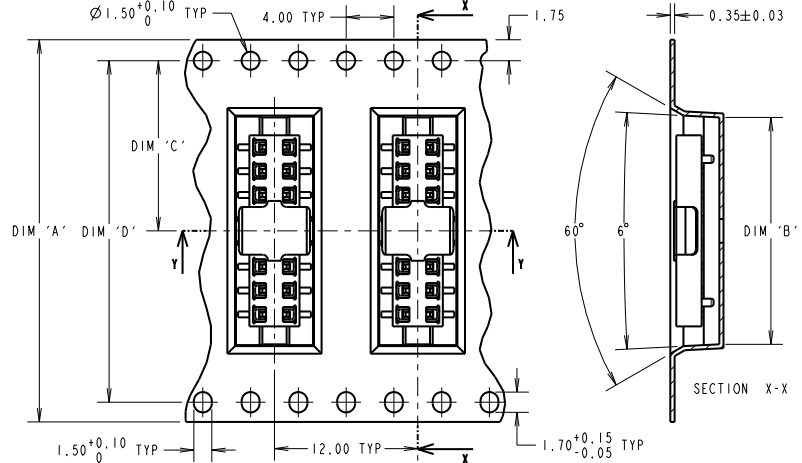
THIRD ANGLE PROJECTION

ALL DIMENSIONS IN mm

TAPE DETAILS FOR
04 TO 06 WAYS PER ROW



TAPE DETAILS FOR
07, 17, 20 & 21 WAYS PER ROW



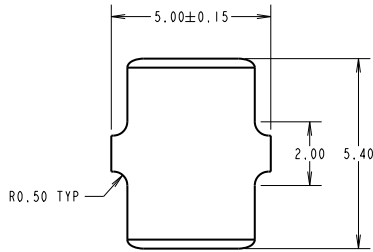
ORDER CODE:
M22-636XXXXR

No. OF WAYS PER ROW
04, 06, 07, 17, 20 & 21

FINISH:
42 - SELECTIVE GOLD + 100% TIN
46 - 100% TIN

- NOTES:
- FOR CONNECTOR DIMENSIONS SEE M22-636XXXX.
 - QUANTITY OF COMPONENTS PER REEL = 1200.
 - PICK AND PLACE CAP TO BE PLACED CENTRALLY ON COMPONENT.

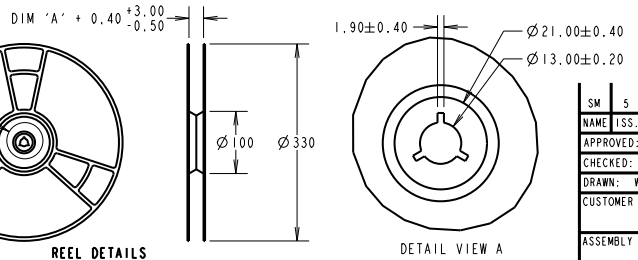
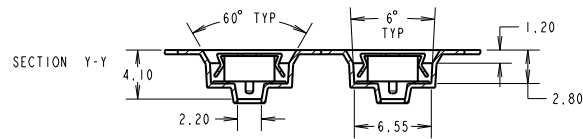
HARWIN PART No.	DIM 'A'	DIM 'B'	DIM 'C'	DIM 'D'
M22-63604XXR	24.00	8.45	11.50	28.40
M22-63606XXR		12.45	14.20	
M22-63607XXR	32.00	14.45		
M22-63617XXR		34.45		
M22-63620XXR	56.00	40.45	26.20	
M22-63621XXR		42.45		



SEE DETAIL B



PICK & PLACE CAP DIMENSIONS (SEE NOTE 3)



SM	ISS.	DATE	C/NOTE
5		30.03.11	11208
APPROVED: S. MCCULLAGH			
CHECKED: M. G. PLESTED			
DRAWN: W. J. BOURNE			
CUSTOMER REF.:			
ASSEMBLY DRG:			

HARWIN

HARWIN USA
TEL: 603 893 5376
FAX: 603 893 5396
mis@harwin.com

HARWIN Europe (UK)
TEL: 023 9231 4545
FAX: 023 9231 4590
mis@harwin.co.uk

HARWIN Asia
TEL: +65 6 779 4909
FAX: +65 6 779 3868
mis@harwin.com.sg

THIS DRAWING AND ANY INFORMATION OR DESCRIPTIVE MATTER SET OUT HEREON ARE CONFIDENTIAL AND COPYRIGHT PROPERTY OF THE HARWIN GROUP AND MUST NOT BE DISCLOSED, LOANED, COPIED OR USED FOR MANUFACTURING, TENDERING OR FOR ANY OTHER PURPOSE WITHOUT THE WRITTEN PERMISSION.

TOLERANCES
X. = ±1mm
X.X = ±0.25mm
X.XX = ±0.10mm
X.XXX = ±0.01mm
ANGLES = ±5°
UNLESS STATED

MATERIAL: SEE NOTE 1
FINISH: SEE NOTE 1
S/AREA: mm²

TITLE: 2mm PITCH DIL SMT VERTICLE LOW-PROFILE SOCKET (TAPE AND REEL)
DRAWING NUMBER: M22-636XXXXR
SHT 2 OF 2