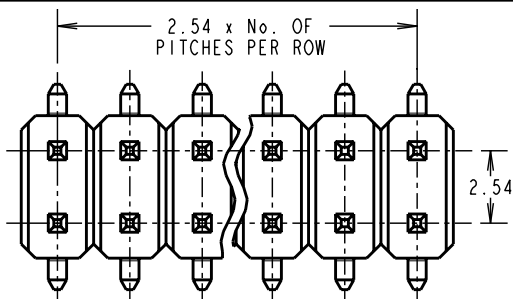
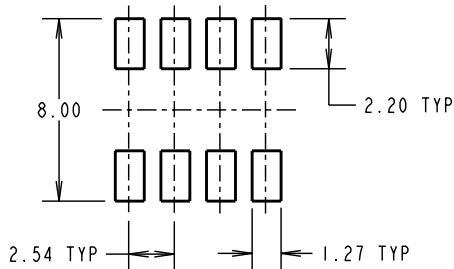


# Customer Information Sheet

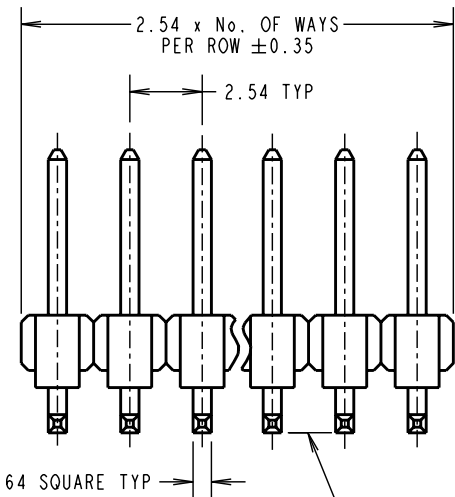
DRAWING No.: M20-876XXXX SHEET 2 OF 2 IF IN DOUBT - ASK (C) NOT TO SCALE THIRD ANGLE PROJECTION ALL DIMENSIONS IN mm



### RECOMMENDED PAD LAYOUT



**SPECIFICATION:**  
**MATERIAL:**  
 MOULDING = NYLON 6T UL94V-0, BLACK  
 CONTACT = BRASS  
**FINISH:**  
 42 = SELECTIVE GOLD ON CONTACT AREA, 100% TIN ON TAILS  
 46 = 100% TIN  
**ELECTRICAL:**  
 CURRENT RATING = 3A MAX  
 CONTACT RESISTANCE = 30 mΩ MAX (TIN), 25 mΩ MAX (GOLD)  
 INSULATION RESISTANCE = 1,000 MΩ MIN  
 DIELECTRIC STRENGTH = 750V AC/DC  
**MECHANICAL:**  
 DURABILITY = 50 OPERATIONS (TIN), 300 OPERATIONS (GOLD)  
**ENVIRONMENTAL:**  
 TEMPERATURE RANGE = -40°C TO +105°C  
**PACKING:**  
 BAG  
 FOR COMPLETE SPECIFICATION, SEE COMPONENT SPECIFICATION CO01XX (LATEST ISSUE)



### NOTES:

- SEE DRAWING M20-876XXXXP FOR PICK & PLACE VERSION, M20-876XXXXR FOR TAPE AND REELED.
- CO-PLANARITY: FLATNESS OF SMT TAILS MUST NOT EXCEED VALUES GIVEN IN TABLE.
- ALL TOLERANCES ARE ±0.15 UNLESS OTHERWISE STATED.

| No OF CONTACTS | COPLANARITY TOLERANCE |
|----------------|-----------------------|
| 2x02 TO 2x12   | 0.10mm MAX            |
| 2x13 TO 2x20   | 0.15mm MAX            |
| 2x21 TO 2x36   | 0.20mm MAX            |

ORDER CODE:  
**M20-876XXXX**  
 No. OF WAYS: \_\_\_\_\_  
 02 TO 36  
 FINISH: \_\_\_\_\_  
 42 = SELECTIVE GOLD + 100% TIN  
 46 = 100% TIN

|                      |      |          |        |
|----------------------|------|----------|--------|
| CP                   | 20   | 06.08.09 | 10430  |
| NAME                 | ISS. | DATE     | C/NOTE |
| APPROVED: C.PENROSE  |      |          |        |
| CHECKED: R.ADDE      |      |          |        |
| DRAWN: P. D. COLLINS |      |          |        |
| CUSTOMER REF.:       |      |          |        |
| ASSEMBLY DRG:        |      |          |        |

**HARWIN**

HARWIN USA  
 TEL: 603 893 5376  
 FAX: 603 893 5396  
 mis@harwin.com

HARWIN Europe (UK)  
 TEL: 023 9231 4545  
 FAX: 023 9231 4590  
 mis@harwin.co.uk

HARWIN Asia  
 TEL: +65 6 779 4909  
 FAX: +65 6 779 3868  
 mis@harwin.com.sg

THIS DRAWING AND ANY INFORMATION OR DESCRIPTIVE MATTER SET OUT HEREON ARE CONFIDENTIAL AND COPYRIGHT PROPERTY OF THE HARWIN GROUP AND MUST NOT BE DISCLOSED, LOANED, COPIED OR USED FOR MANUFACTURING, TENDERING OR FOR ANY OTHER PURPOSE WITHOUT THEIR WRITTEN PERMISSION.

**TOLERANCES**  
~~X. = ±1mm~~  
~~X.X = ±0.25mm~~  
~~X.XX = ±0.10mm~~  
~~X.XXX = ±0.01mm~~  
 ANGLES = ±5°  
 UNLESS STATED

**MATERIAL:**  
 SEE ABOVE

**FINISH:**  
 SEE ABOVE

**S/AREA:**  
 mm<sup>2</sup>

**TITLE:**  
 2.54mm PITCH DIL  
 SMT PIN HEADER ASSEMBLY

**DRAWING NUMBER:**  
**M20-876XXXX**

**SHT**  
 2 OF 2