

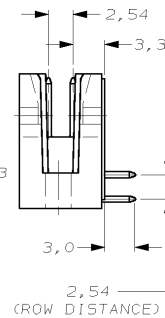
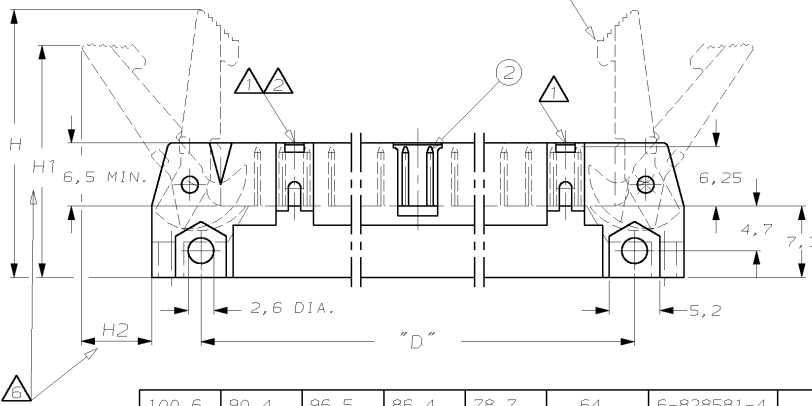
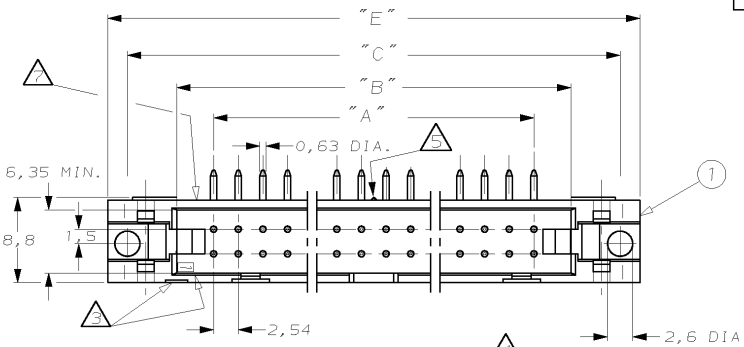
DO NOT SCALE
DIMENSIONS IN mm

METRIC

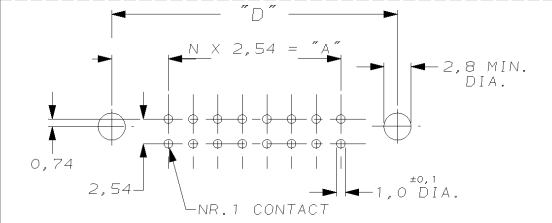
THIRD ANGLE PROJECTION

NOTES

- △ SNAP-IN POLARIZERS PN. 927636-2 OR 927637-2 CAN BE APPLIED.
- △ THERE IS NO WINDOW FOR SNAP-IN POLARIZERS AT THIS END IN 10 AND 14 POS. HEADERS.
- △ INDICATION OF FIRST POSITION.
- △ SNAP-IN CONNECTOR "LATCH / EJECTOR" PN. 927176-2 OR 927215-2 CAN BE APPLIED.
- △ THERE IS NO CENTER STAND-OFF IN 10-26 POS. HEADERS.
- △ DIMENSION WITH EJECTOR : PN. 927176-2 H= 23 MM, PN. 927215-2 H= 27,3 MM.
H1= 20,2 MM H1= 24 MM
H2= 6 MM H2= 7 MM
- △ PARTNUMBER AND PROD.- DATE ON SUITABLE SURFACE X-828 581-X DD.MM.YY



RECOMMENDED PCB-HOLE PATTERN



② PIN-CONTACT	BRASS	PLATING SIDE: 0,8µm AU OR 0,8µm AuP DURAGOLD® / OVER 1,27µm Ni SOLDER SIDE: MIN. 3,0µm Sn OVER 1,27µm Ni
① HOUSING	GLASSFILLED POLYESTER	GREY

DIM. "E"	DIM. "D"	DIM. "C"	DIM. "B"	DIM. "A"	NR. OF POSITIONS	PARTNUMBER
100,6	90,4	96,5	86,4	78,7	64	6-828581-4
95,5	85,3	91,4	81,3	73,7	60	6-828581-0
82,8	72,6	78,7	68,6	61,0	50	5-828581-0
70,1	59,9	66,0	55,9	48,3	40	4-828581-0
62,5	52,3	58,4	48,3	40,6	34	3-828581-4
52,3	42,2	48,3	38,1	30,5	26	2-828581-6
44,7	34,5	40,6	30,5	22,9	20	2-828581-0
39,6	29,5	35,6	25,4	17,8	16	1-828581-6
37,1	26,9	33,0	22,9	15,2	14	1-828581-4
32,0	21,8	27,9	17,8	10,2	10	1-828581-0

PLATING DURAGOLD OR GOLD ALTERNATIVELY USABLE	MAH. STRE.	27-JUN-03
BEMERKUNGEN: △ U △ ERGAENZT	BLU LAU	10.05.95
0 EH-0839-93	JvL RV	29-11-93
LTR. REVISION RECORD	DR. CHK. DATE	
DR.: J.v.LIEMPT	CHK.: R. VERSTIJNEN	APP.: L.v.SOEST
DATE: 29-11-93	DATE: -	DATE: -

CUSTOMER DRAWING FOR REFERENCE ONLY WILL NOT BE UPDATED

© COPYRIGHT 19- BY AMP-HOLLAND B.V.
ALL INTERNATIONAL RIGHTS RESERVED. AMP PRODUCTS MAY BE COVERED BY U.S. AND FOREIGN AND/OR PATENTS PENDING.
THIS DRAWING IS UNPUBLISHED
RELEASED FOR PUBLICATION - , 19 -

AMP | AMP-HOLLAND B.V.
's-Hertogenbosch, The Netherlands.

AMP-LATCH HEADER-90 DEG. VERSION

DWG.No. C-828581 LOC. AI A3 SHEET 1 of 1 REV.LTR. A1

8 | 7 | 6 | 5 | 4 | 3 | 2 | 1