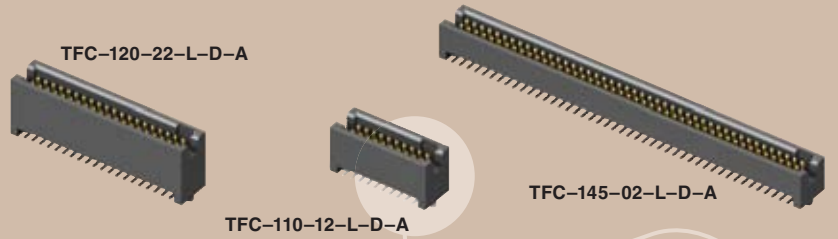




(1,27mm) .050"

TFC SERIES



# COST SAVING RELIABLE HEADER

## SPECIFICATIONS

For complete specifications and recommended PCB layouts see [www.samtec.com?TFC](http://www.samtec.com?TFC)

### Insulator Material:

Black Liquid Crystal Polymer

### Terminal Material:

Phosphor Bronze

### Plating:

Au or Sn over 50µ" (1,27µm) Ni

### Voltage Rating:

350 VAC mated with SFC

### Operating Temp Range:

-55°C to +125°C

### RoHS Compliant:

Yes



Mates with:  
SFC, SFSD, SFSDT

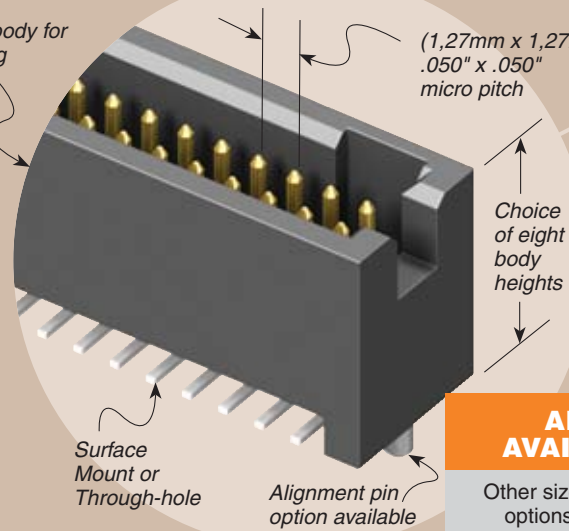
## MATED HEIGHTS

LEAD STYLE		MATED HEIGHT*
TFC	SFC	
-01	-T1	(5,97) .235
-11		(7,75) .305
-21		(9,53) .375
-31		(11,43) .450
-02	-T2	(6,35) .250
-12		(8,13) .320
-22		(9,91) .390
-32		(11,81) .465

\*Processing conditions will affect mated height.

Shrouded body for blind mating

(1,27mm x 1,27mm) .050" x .050" micro pitch



Surface Mount or Through-hole

Alignment pin option available

## ALSO AVAILABLE

Other sizes and more options available. Contact Samtec.

CURRENT RATING	
AMBIENT TEMP	SFSD/TFC
20°C	3.7A
40°C	3.4A
60°C	2.9A
95°C	1.9A

6 POSITIONS (2x3) POWERED

## Processing:

Lead-Free Solderable:

Yes

### SMT Lead Coplanarity:

(0,10mm) .004" max (10-25)

(0,15mm) .006" max (30-50)

**TFC** - **1** **NO. PINS PER ROW** - **LEAD STYLE** - **PLATING OPTION** - **D** - **OPTION**

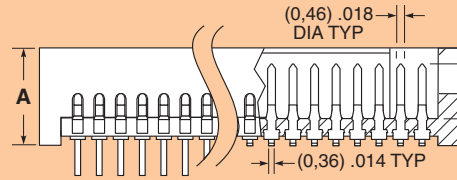
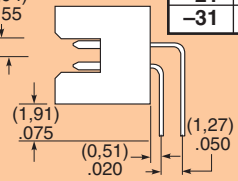
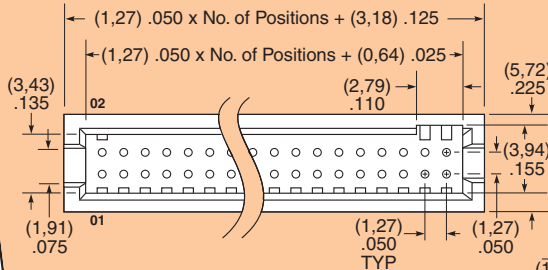
**10, 15, 20, 25, 30, 35, 40, 45, 50**  
(Call Samtec for other sizes)

**-X1** = Through-hole  
**-X2** = Surface Mount

**-F** = Gold flash on post, Matte Tin on tail  
**-L** = 10µ" (0,25µm) Gold on post, Matte Tin on tail

**-RA** = Right Angle (-01 only)  
**-A** = Alignment Pin  
**-K** = (6,75mm) .266" DIA Polyimide film Pick & Place Pad  
**-TR** = Tape & Reel (-X2 only)

TH LEAD STYLE	A	B
-01	(5,59) .220	(3,38) .133
-11	(7,37) .290	
-21	(9,14) .360	(3,30) .130
-31	(11,05) .435	



SMT LEAD STYLE	A	B
-02	(5,72) .225	(3,38) .133
-12	(7,49) .295	
-22	(9,27) .365	(3,30) .130
-32	(11,18) .440	

**TAPE & REEL AVAILABILITY**

No tooling charges.  
Minimum order is the lesser of a full reel quantity or 125 pieces.  
Order any quantity above minimum.  
In-house design, manufacture.  
Quick turn-around.  
Call Samtec for specifications and ordering information.

Note: Some sizes, styles and options are non-standard, non-returnable.

Due to technical progress, all designs, specifications and components are subject to change without notice.

[WWW.SAMTEC.COM](http://WWW.SAMTEC.COM)