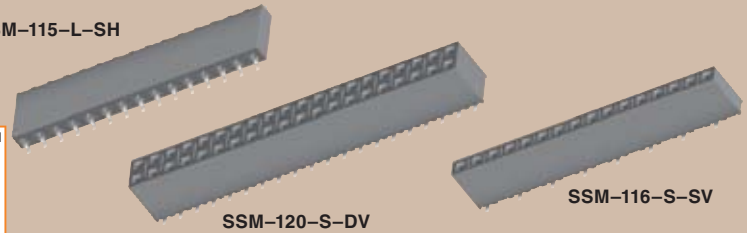




SSM-115-L-SH



SSM-120-S-DV

SSM-116-S-SV

(2,54mm) .100"

SSM SERIES

# SMT .025" SQ BOX SOCKET

**Mates with:**

TSW, MTSW, TST, TSS, ZST, ZSS, DW, EW, ZW, TSM, HMTSW, HTSW, TSSH, BST, HTSS, TLW, MTLW

**SPECIFICATIONS**

For complete specifications and recommended PCB layouts see [www.samtec.com?SSM](http://www.samtec.com?SSM)

**Insulator Material:**

Black Liquid Crystal Polymer

**Contact Material:**

Phosphor Bronze

**Plating:**

Au or Sn over 50µ" (1,27µm) Ni

**Voltage Rating:**

475 VAC (-SV/-DV mated with TSW)

450 VAC (-SH/-DH mated with TSM)

**Operating Temp Range:**

-55°C to +125°C with Gold

-55°C to +105°C with Tin

**Contact Resistance:**

10 mΩ max

**Insertion Depth:**

SV/DV is (4,34mm) .171" to (7,24mm) .285" or pass-through from top; (5,56mm) .219" plus board thickness minimum from bottom; SH/DH is (4,34mm) .171" to (6,35mm) .250"

**Insertion Force:**

(Single contact only)

5oz (1,39N) average

**Normal Force:**

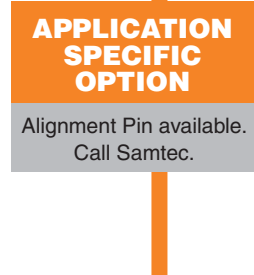
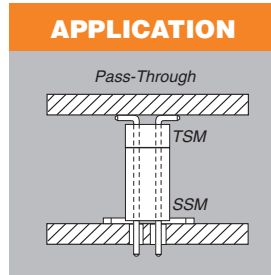
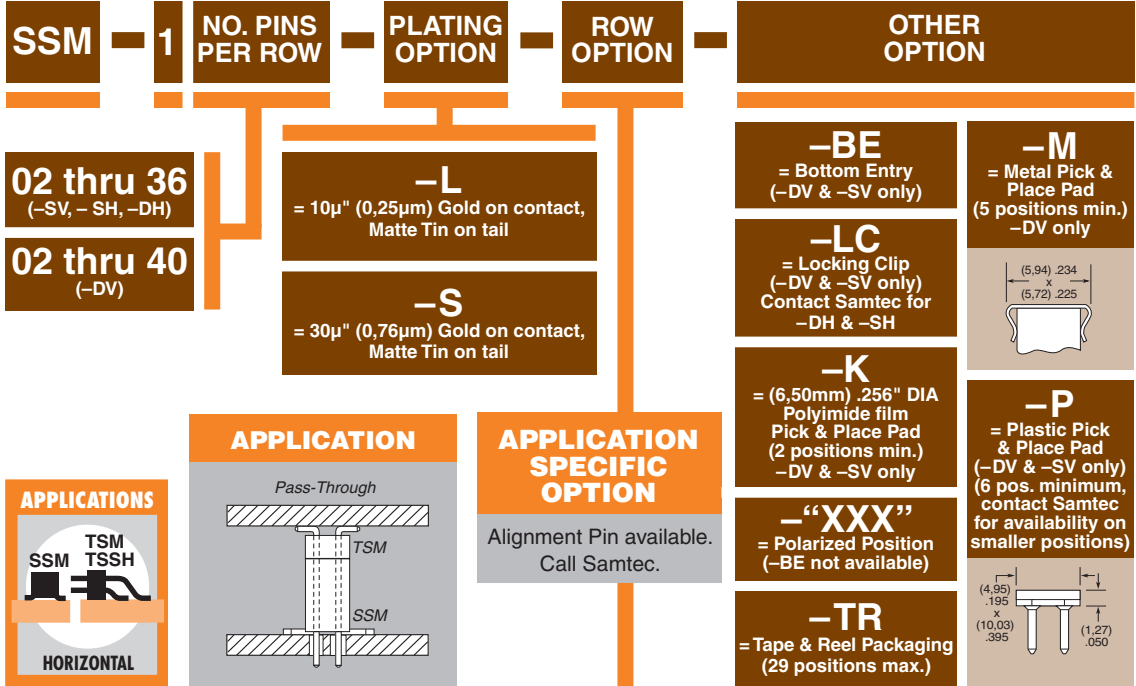
125 grams (1,21N) average

**Withdrawal Force:**

(Single contact only)

2oz (0,56N) average

**RoHS Compliant:** Yes



CURRENT RATING	
AMBIENT TEMP	SSM mated with TSW
20°C	6.9A
40°C	6A
60°C	5.3A
95°C	3.5A

6 POSITIONS (2x3) POWERED

**Processing:**

**Lead-Free Solderable:**

Yes

**-DH Coplanarity:**

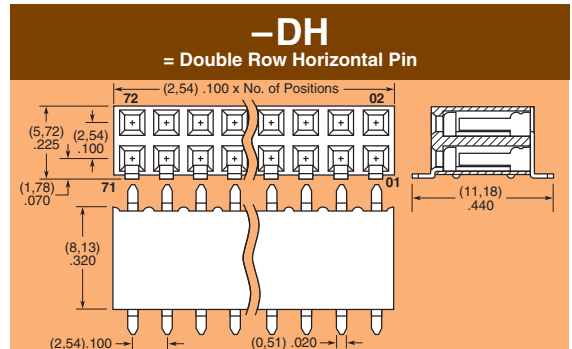
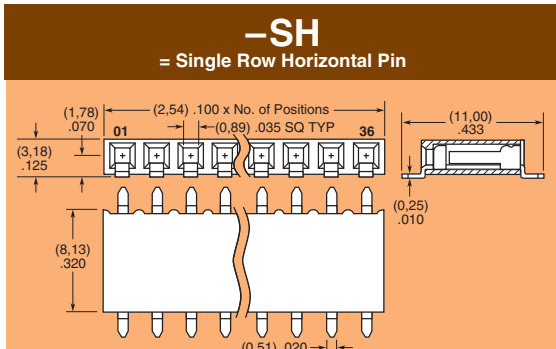
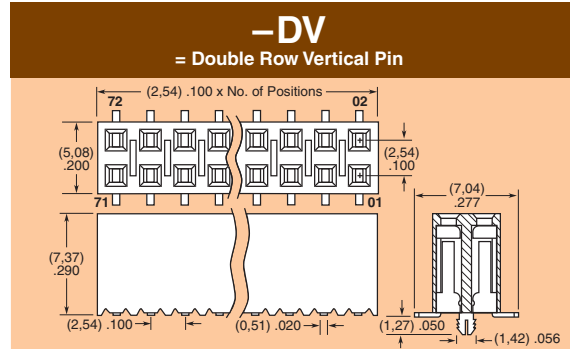
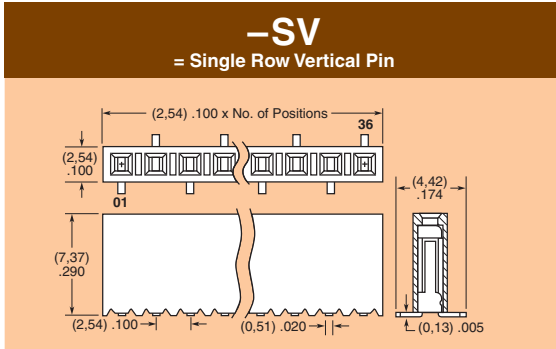
Less than 28 positions (0,15mm) .006" max

More than 27 positions (0,20mm) .008" max

**-SH, -SV, -DV Coplanarity:**

(0,15mm) .006" max

**Note:** Some lengths, styles and options are non-standard, non-returnable.



Due to technical progress, all designs, specifications and components are subject to change without notice.

[WWW.SAMTEC.COM](http://WWW.SAMTEC.COM)