



(0,635mm) .025"

QSS-RA SERIES

QSS-050-01-L-D-RA-WT

QSS-025-01-L-D-RA

RIGHT ANGLE GROUND PLANE SOCKET

SPECIFICATIONS

For complete specifications and recommended PCB layouts see www.samtec.com?QSS-RA

Insulator Material:

Liquid Crystal Polymer



Contact Material:

Phosphor Bronze

Plating:

Au or Sn over 50µ" (1,27µm) Ni

Current Rating:

1.2A @ 30°C Temperature Rise (Inner Row)

Operating Temp:

-55°C to +125°C

Voltage Rating:

275 VAC mated with QTS-RA

RoHS Compliant:

Yes

Processing:

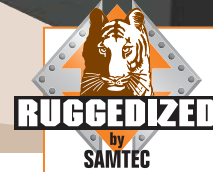
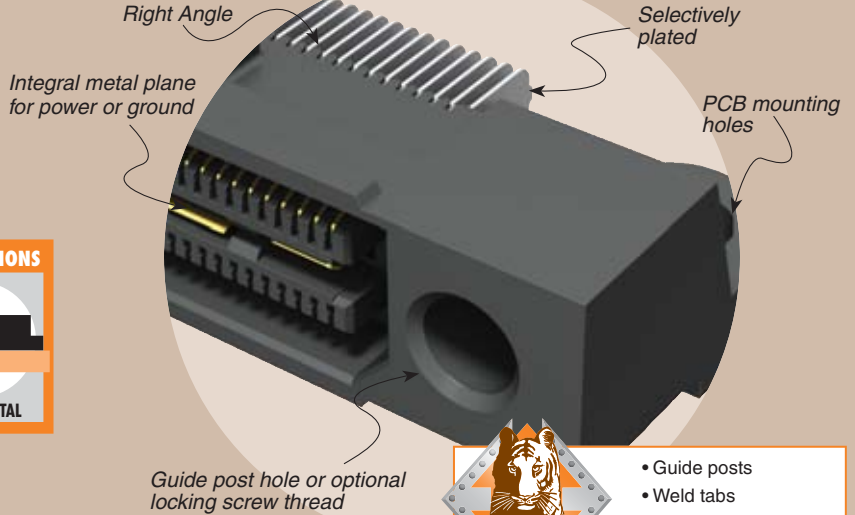
Lead-Free Solderable:

Yes

SMT Lead Coplanarity:

(0,10mm) .004" max (025-075)
(0,15mm) .006" max (100)

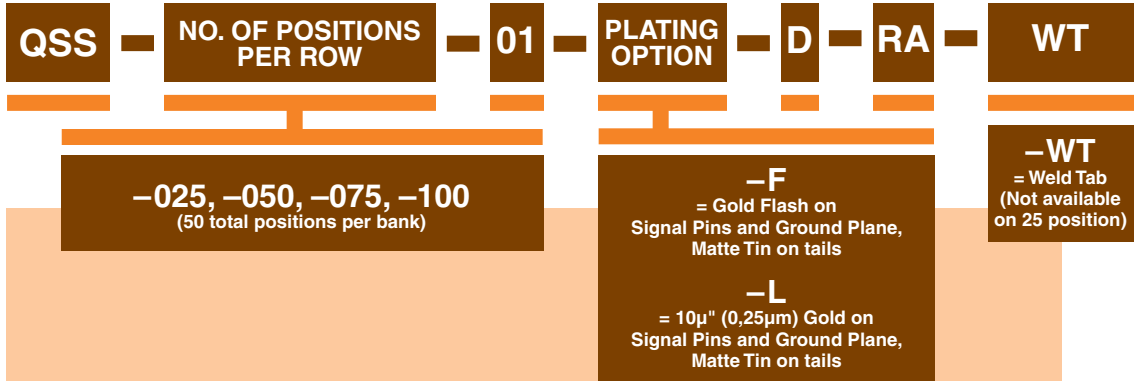
Board Mates:
QTS



- Guide posts
- Weld tabs
- PCB mounting holes
- Solder pin option

APPLICATION SPECIFIC OPTION

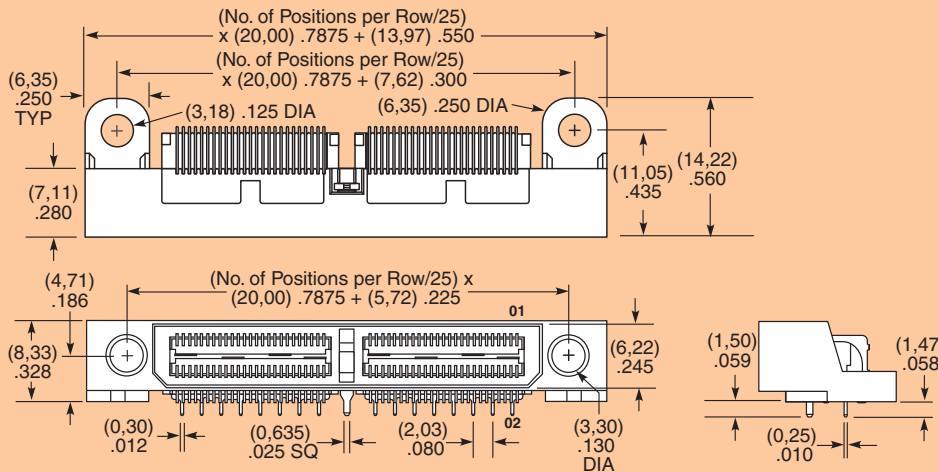
- 30µ" (0,76µm) Gold
 - Tray Packaging
 - Lead style for (2,36mm) .093" thick board
 - Threaded insert (-MTI) for mating with SQCD with captive screws
 - -LS1 Locking Screw Hole for mating with QTS-RA-LS1
- Call Samtec.



APPLICATION



Note: Some lengths, styles and options are non-standard, non-returnable.



Due to technical progress, all designs, specifications and components are subject to change without notice.

WWW.SAMTEC.COM