

# 0,50mm DIFFERENTIAL PAIR QSH-DP SERIES

## SPECIFICATIONS

For complete specifications and recommended PCB layouts see [www.samtec.com?QSH-DP](http://www.samtec.com?QSH-DP)

**Insulator Material:** Liquid Crystal Polymer  
**Contact Material:** Phosphor Bronze **PAUS**  
**Plating:** Au over 50µ" (1,27µm) Ni  
**Current Rating:** Contact: 1.0A @ 30°C  
 Temperature Rise  
 Ground Plane: 7.8A @ 30°C  
 Temperature Rise  
**Operating Temp Range:** -55°C to +125°C  
**Voltage Rating:** 125 VAC mated with QTH-DP & 5mm Stack Height  
**RoHS Compliant:** Yes

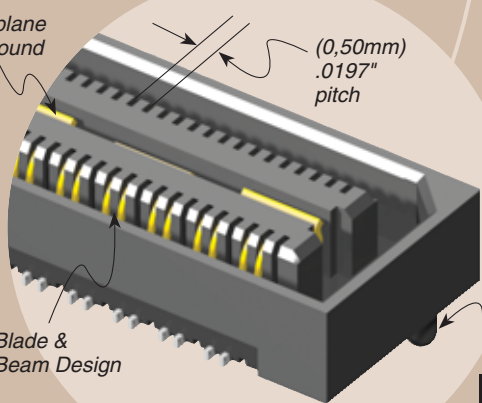
### Processing:

**Max Processing Temp:** 230°C for 60 seconds, or 260°C for 20 seconds 3x  
**Lead-Free Solderable:** Yes  
**SMT Lead Coplanarity:** (0,10mm) .004" max (020-060) (0,15mm) .006" max (080)  
**Board Stacking:** For applications requiring more than two connectors per board or 80 pairs or higher, contact [ipg@samtec.com](mailto:ipg@samtec.com)

**Mates with:** QTH-DP, HQDP, HFHM, HFHM2 (See Application Specific note)



Integral metal plane for power or ground



## STACK HEIGHT

LEAD STYLE	STANDARD MATED HEIGHT
-01	(5,00) .198

Processing conditions will affect mated height.

**Note:** Some lengths, styles and options are non-standard, non-returnable.

## ALSO AVAILABLE

Board Spacing Standoffs. See SO Series.

0,50mm QTH/QSH-DP	Rated @ -3dB Insertion Loss
5mm Stack Height	
Differential Pair Signaling	9.5 GHz / 19 Gbps
Performance data for other stack heights available at <a href="http://www.samtec.com?QSH-DP">www.samtec.com?QSH-DP</a>	



**-020, -040, -060, -080**  
(20 pairs per bank)

**-L**  
= 10µ" (0,25µm) Gold on Signal Pins and Ground Plane, Matte Tin on tails  
**-F**  
= Gold Flash on Signal Pins and Ground Plane, Matte Tin on tails

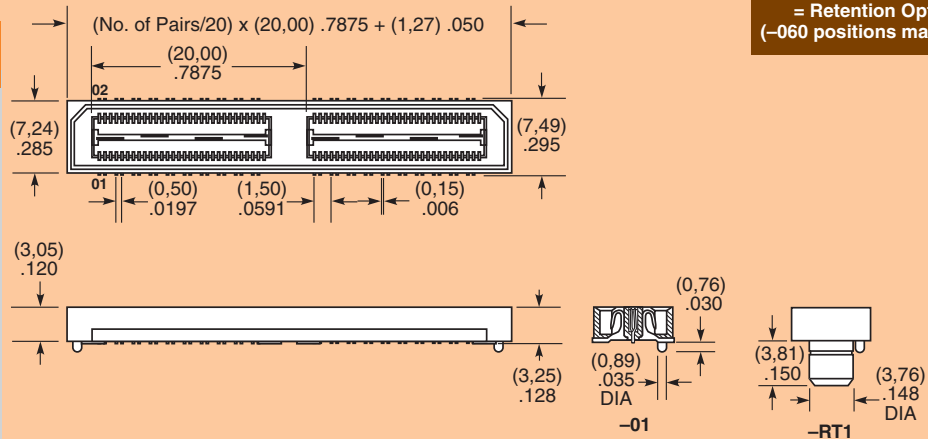
**-K**  
= (8,25mm) .325" DIA Polyimide Film Pick & Place Pad  
**-TR**  
= Tape & Reel (-060 positions maximum)  
**-RT1**  
= Retention Option (-060 positions maximum)



## APPLICATION SPECIFIC OPTION

- 30µ" (0,76µm) Gold (Specify -H plating for Data Rate cable mating applications)
- 8mm, 11mm, 14mm, 15mm, 16mm, 19mm, 22mm, 25mm and 30mm stack height (Caution: Some automatic placement/inspection machines may have component height restrictions. Please consult machinery specifications.)
- 100 Pairs
- Edge Mount and Guide Posts
- "Partitionable" (combine differential & single-ended)

Call Samtec.



Due to technical progress, all designs, specifications and components are subject to change without notice.

[WWW.SAMTEC.COM](http://WWW.SAMTEC.COM)

SAMTEC USA • Tel: 1-800-SAMTEC-9 or 812-944-6733 • Fax: 812-948-5047 SAMTEC SILICON VALLEY • Tel: 408-395-5900 • Fax: 408-395-1520 SAMTEC UK • Tel: 01236 739292 • Fax: 01236 727113  
 SAMTEC GERMANY • Tel: +49 (0) 89 / 89460-0 • Fax: +49 (0) 89 / 89460-299 SAMTEC FRANCE • Tel: 01 60 95 06 60 • Fax: 01 60 95 06 61 SAMTEC ITALY • Tel: 39 039 6890337 • Fax: 39 039 6890315  
 SAMTEC NORDIC/BALTIC • Tel: +46-84477280 • Fax: +46-87420413 SAMTEC ISRAEL • Tel: 972-3-7526600 • Fax: 972-3-7526690 SAMTEC INDIA • Tel: +91-80-3272 1612 • Fax: +91-80-4152 8187  
 SAMTEC ASIA PACIFIC • Tel: 65 6745-5955 • Fax: 65 6841-1502 SAMTEC JAPAN • Tel: 045-475-1385 • Fax: 045-475-1340 SAMTEC CHINA • Tel: 86-21-61103766 • Fax: 86-21-5423 4575 SAMTEC TAIWAN • Tel: 886-2-2735-6109 • Fax: 886-2-2735-5036  
 SAMTEC HONG KONG • Tel: 852-2600-4850 • Fax: 852-2600-4820 SAMTEC KOREA • Tel: 82-31-717-5685 • Fax: 82-31-717-5681 SAMTEC SOUTH AFRICA • Tel: 27 11 454 4317 • Fax: 27 86 6714432 SAMTEC ANZ • Tel: 613 9512 7747 • Fax: 613 9512 7745