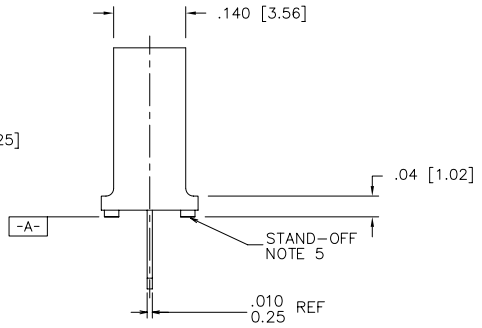
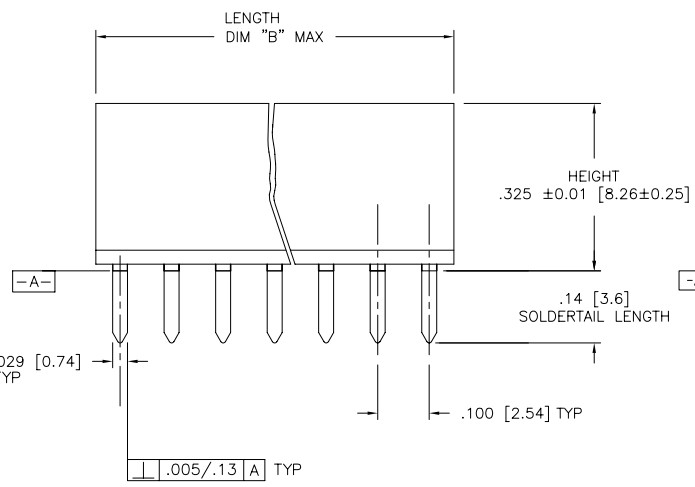
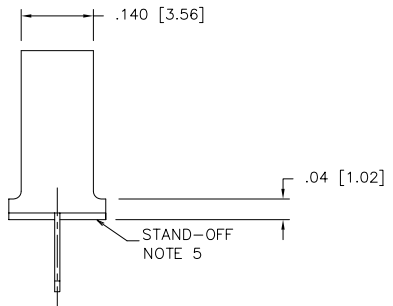
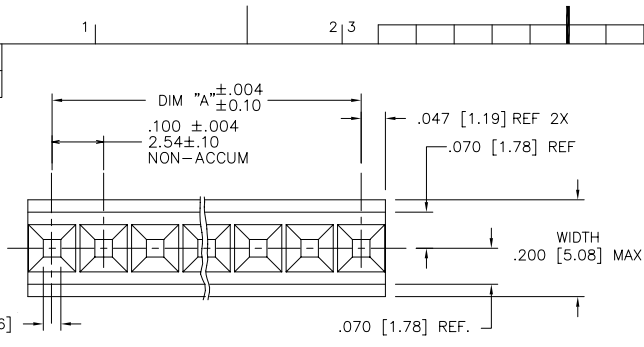


PRODUCT NUMBER
66950-XXX



mat'l. code		surface		tolerance		projection		product family	
NOTES 1 & 2		ISO 1302		ISO 406		ISO 1101		CARD CONN	
ltr	ecn	no	dr	date		tolerances unless otherwise specified		title	
D	V11848	JGS		7/12/91		.XX4.01/.XX4.3		VERTICAL CARD CONN.	
E	V23245	MRC		10/13/92		.XXXX.0.005/.XXXX.13		.100/2.54 CTR. SINGLE. ROW	
F	V70788	LSS	S	6/23/97		.XXXX.0020/.XXXX.001		dwg no 66950 sheet 1 of 3 size A3	
G	V94468	MDF		12/27/99		dr J.SHREINER 7/12/91		FCJ	
H	M05-0216	ERE		10/11/05		engr M.HAHN 7/12/91		type Product Customer Drawing	
J	M06-0210	MHT		6/03/06		chr M.HAHN 7/12/91			
sheet index		revision sheet		J	J	J			
1		1		2	3				

PRODUCT NUMBER
SEE TABLE

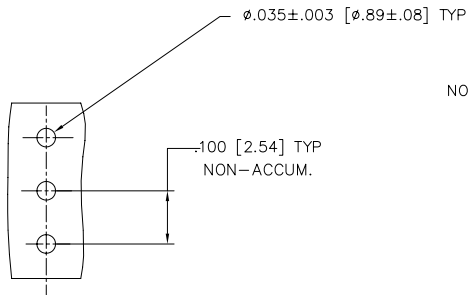


FIGURE "A"
SCALE 4:1

NOTES.

- ① HOUSING MATERIAL: FILLED POLYESTER,
FLAME RETARDANT PER UL 94V-0.
COLOR: BLACK.
- ② TERMINAL MATERIAL:
BODY: BRASS
SPRING: BeCu HEAT TREATED
BODY PLATING: 15u" [.38u] Au OVER 50u" [1.27]u Ni IN CONTACT AREA
SPRING PLATING: GOLD FLASH
3. MARKING: FCJ PART NUMBER AND DATE CODE LEGIBLE
ON TUBE LABEL.
4. APPLICATION INFORMATION:
A. RECOMMENDED MOUNTING HOLE PATTERN IS SHOWN IN FIGURE A.
B. ALL MATING PINS TO BE .025 [.64] SQUARE ON TRUE CENTER OF GIVEN
TERMINAL SPACINGS, WITHIN .015 [.38] DIAMETER.
C. SUGGESTED MATING PIN LENGTH, .210 ± 0.020 [5.33 ± 0.51].
- ⑤ STAND-OFF CONFIGURATION BUMP OR RIB, AT
MANUFACTURERS' OPTION.
- ⑥ ADD "LF" SUFFIX AT THE END OF PART NUMBER FOR LEAD FREE OPTION.
- ⑦ THESE PRODUCTS MEET EUROPEAN UNION DIRECTIVES AND OTHER
COUNTRY REGULATIONS AS DESCRIBED IN GS-22-008.
8. THIS PART WILL WITHSTAND EXPOSURE TO 260°C PEAK TEMPERATURE
FOR 20 SECONDS IN WAVE SOLDER, INFRA-RED OR VAPOR PHASE
SOLDER PROCESS.

mat'l. code		surface	tolerance	projection	product family
ISO 1302		ISO 1302	ISO 406		CARD CONN
ISO 1101		ISO 1101	ISO 1101		
ltr	ecn	no	dr	date	title
J					VERTICAL CARD CONN.
tolerances unless otherwise specified .XX4-01/.XX4-3 .XXX4-0.005/.014-13 .XXXX-0.020/.XXXX-061					.100/2.54 CTR. SINGLE. ROW
angles	linear	0° ± 2'		scale 1:4	dwg no 66950 sheet 2 of 3 size A3
dr	J.SHREINER	7/12/91			type Product Customer Drawing
enrg	M.HAHN	7/12/91			
chr	M.HAHN	7/12/91			
appd	M.HAHN	7/12/91			
sheet index	revision sheet				

PRODUCT NO.	NO OF POSITIONS	DIM A	DIM B	LEAD FREE OPTION
66950-001	U N A S S I G N E D			
-002	1 X 2	.100/2.54	.200/5.08	
-003	1 X 3	.200/5.08	.300/7.62	NOTE 6,7
-004	1 X 4	.300/7.62	.400/10.16	
-005	1 X 5	.400/10.16	.500/12.70	
-006	1 X 6	.500/12.70	.600/15.24	
-007	1 X 7	.600/15.24	.700/17.78	
-008	1 X 8	.700/17.78	.800/20.32	
-009	1 X 9	.800/20.32	.900/22.86	
-010	1 X 10	.900/22.86	1.000/25.40	
-011	1 X 11	1.000/25.40	1.100/27.94	
-012	1 X 12	1.100/27.94	1.200/30.48	
-013	1 X 13	1.200/30.48	1.300/33.02	
-014	1 X 14	1.300/33.02	1.400/35.56	
-015	1 X 15	1.400/35.56	1.500/38.10	
-016	1 X 16	1.500/38.10	1.600/40.64	
-017	1 X 17	1.600/40.64	1.700/43.18	
-018	1 X 18	1.700/43.18	1.800/45.72	
-019	1 X 19	1.800/45.72	1.900/48.26	
-020	1 X 20	1.900/48.26	2.000/50.80	
-021	1 X 21	2.000/50.80	2.100/53.34	
-022	1 X 22	2.100/53.34	2.200/55.88	
-023	1 X 23	2.200/55.88	2.300/58.42	
-024	1 X 24	2.300/58.42	2.400/60.96	
-025	1 X 25	2.400/60.96	2.500/63.50	
-026	1 X 26	2.500/63.50	2.600/66.04	
-027	1 X 27	2.600/66.04	2.700/68.58	
-028	1 X 28	2.700/68.58	2.800/71.12	
-029	1 X 29	2.800/71.12	2.900/73.66	
-030	1 X 30	2.900/73.66	3.000/76.20	
-031	1 X 31	3.000/76.20	3.100/78.74	
-032	1 X 32	3.100/78.74	3.200/81.28	
-033	1 X 33	3.200/81.28	3.300/83.82	
-034	1 X 34	3.300/83.82	3.400/86.36	
-035	1 X 35	3.400/86.36	3.500/88.90	
66950-036	1 X 36	3.500/88.90	3.600/91.44	NOTE 6,7

mat'l. code	surface	tolerance	projection	product family
ISO 1302	ISO 1302	ISO 406	ISO 1101	CARD CONN
ISO 1101	tolerances unless otherwise specified	tolerance	INCH/MM	title
J	angles	.XX-01/.XX-3	scale 1:4	VERTICAL CARD CONN.
	linear	.XXXX.0.005/.014.13		.100/2.54 CTR. SINGLE. ROW
	0°±2'	.XXXX.0020/.XXXX.061		dwg no 66950 sheet 3 of 3 size A3
	dr	J.SHREINER 7/12/91		type Product Customer Drawing
	enrg	M.HAHN 7/12/91		
	chr	M.HAHN 7/12/91		
	appd	M.HAHN 7/12/91		
sheet index	revision sheet			

PDM: Rev:J STATUS:Released Printed: Oct 13, 2010