

4

3

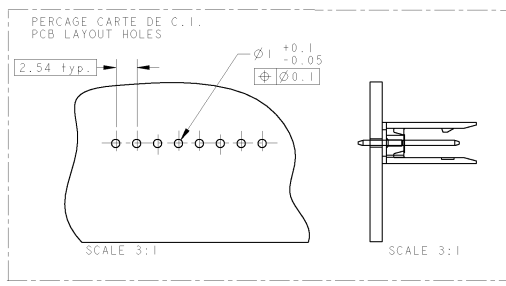
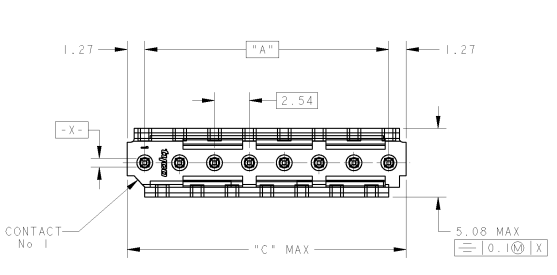
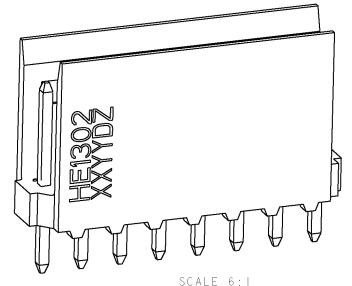
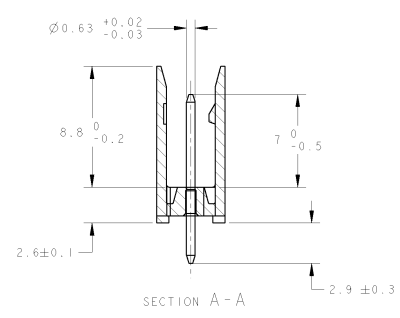
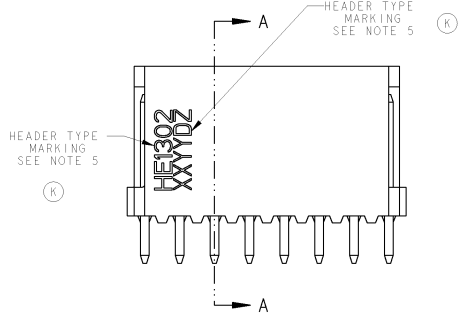
2

1

THIS DRAWING IS UNPUBLISHED.  
 DIVISION PROPRIETARY  
 (C) COPYRIGHT

RELEASED FOR APPLICATION  
 UNDER A L.A. AGREEMENT  
 ALL RIGHTS RESERVED

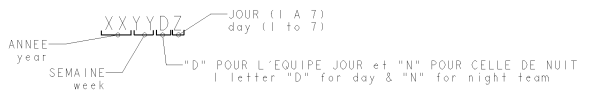
REV. NO.	DATE	BY	CHKD.	APPROV.	DESCRIPTION
F	7	LYR			
K1	19APR11	RK	HMR		REVISED PER ECO-11-005150



45.72	43.18	18	1-281696-8 *
43.18	40.64	17	1-281696-7 *
38.10	35.56	15	1-281696-5 *
30.48	27.94	12	1-281696-2 *
25.40	22.86	10	1-281696-0 *
20.32	17.78	8	0-281696-8 *
17.78	15.24	7	0-281696-7 *
15.24	12.70	6	0-281696-6 *
12.70	10.16	5	0-281696-5 *
10.16	7.62	4	0-281696-4 *
7.62	5.08	3	0-281696-3 *
5.08	2.54	2	0-281696-2 *
C	A	Nb DE POS	PART NUMBER
DIMENSIONS			

NOTES:

- CES EMBASES SONT PREVUES POUR ETRE ACCOUPLEES AVEC LES FICHES "HEI402" SIMPLE RANGEE.  
 (These headers are designed to be mated with "HEI402" connectors single row)
- LES REFERENCES SUIVIES D'UN \* SONT LES VERSIONS NORMALISEES SELON LA NORME CEI 603-8  
 (The parts numbers followed by \* are covered by the international standard IEC 603-8)
- REVETEMENT DES CONTACTS: ETAIN PUR SUR NICKEL  
 (Contacts plating: lead free tin over nickel)
- MATIERE PLASTIQUE: TERMO-PLASTIQUE HAUTE TEMPERATURE, UL-94V0, COULEUR BLEUE  
 (Plastic material: High temperature thermoplastic, UL-94V0, Blue color)  
 MATIERE DES CONTACTS: BRONZE PHOSPHOREUX  
 (Contacts material: phosphor bronze)
- MARQUAGE DU TYPE D'EMBASE (HEI302) A L'ENCRE NOIRE  
 (type marking (HEI302) with black ink)
- MARQUAGE DE LA DATE A L'ENCRE NOIRE :  
 (date code marking with black ink)



DIMENSIONS: mm		TOLERANCES UNLESS OTHERWISE SPECIFIED Ø PLCS: AS 3 PLCS: B PLCS: B PLCS: B ANGLES: 45°		SW/PRESSURE: 22NOV2000 COMBILUTION CDR/ETL: 22NOV2000 1 CORRECTION APPROVED: 22NOV2000 1 DETROIT		TE Connectivity HEADERS HEI3, SINGLE ROW, STRAIGHT		SHEET: A2 CASE CODE: 100778 DRAWING NO: 281696		RESTRICTED TO RESERVE A	
MATERIALS/NOTE: SEE/VOIR NOTE 4		FINISH/PURIFICATION: SEE/VOIR NOTE 3		REVISION: CUSTOMER DRAWING		/PLAN CLIENT		UNDESIGN: SCALE: 5:1		SHEET: OF 1 REV: K1	