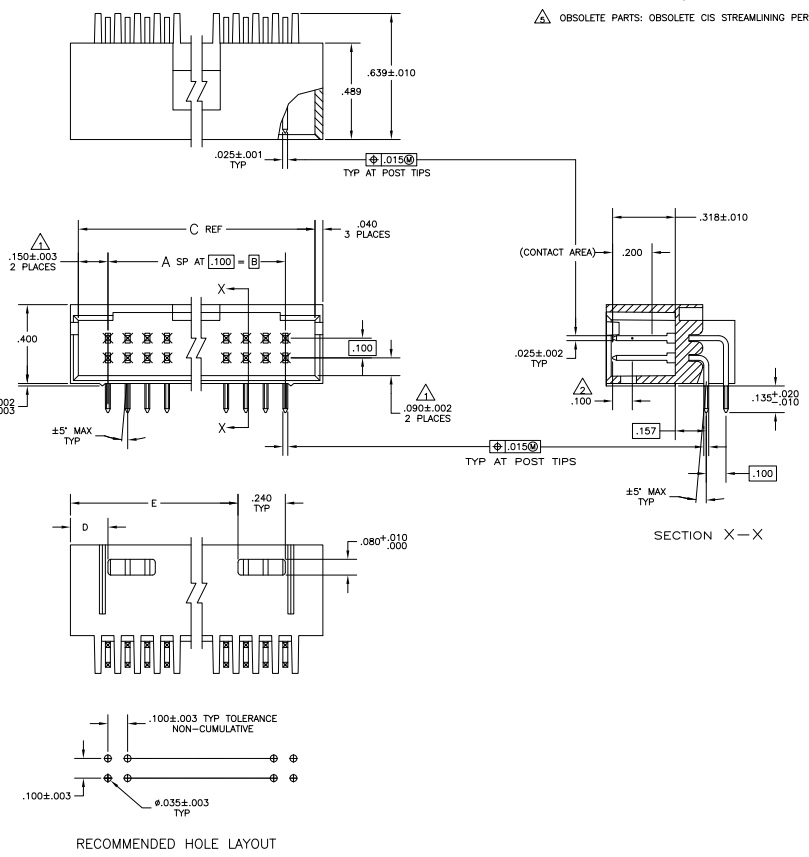


REV	DATE	DESCRIPTION	BY	CHK	APP
AD	00				
NS		REVISED PER ECU-11-004587	11MMR11	RK	HMR

- △ THE NOTED DIMENSION APPLIES AT THE INTERSECTION OF THE POST AND HOUSING
- △ POINT OF MEASUREMENT FOR PLATING THICKNESS.
- △ POSTS: .000030 GOLD IN CONTACT AREA .000100-.000200 MATTE TIN LEAD ON SOLDER TAIL, ALL OVER .000050 NICKEL
- △ POSTS: .000030 GOLD IN CONTACT AREA .000100-.000200 MATTE TIN ON SOLDER TAIL, ALL OVER .000050 NICKEL
- △ OBSOLETE PARTS: OBSOLETE CIS STREAMLINING PER D.RENAUD/D.SINISI



PLATING	E	D	C	B	A	NO OF POSTN	ASSEMBLY PART NUMBER
△ OBSOLETE	△	△	△	△	△	3,490 .190 3,800 3,500 35 72	8-103167-3
△ OBSOLETE	△	△	△	△	△	3,390 .190 3,700 3,400 34 70	8-103167-2
△ OBSOLETE	△	△	△	△	△	3,290 .190 3,600 3,300 33 68	8-103167-1
△ OBSOLETE	△	△	△	△	△	3,190 .190 3,500 3,200 32 66	8-103167-0
△ OBSOLETE	△	△	△	△	△	3,090 .190 3,400 3,100 31 64	7-103167-9
△ OBSOLETE	△	△	△	△	△	2,990 .190 3,300 3,000 30 62	7-103167-8
△ OBSOLETE	△	△	△	△	△	2,890 .190 3,200 2,900 29 60	7-103167-7
△ OBSOLETE	△	△	△	△	△	2,790 .190 3,100 2,800 28 58	7-103167-6
△ OBSOLETE	△	△	△	△	△	2,690 .190 3,000 2,700 27 56	7-103167-5
△ OBSOLETE	△	△	△	△	△	2,590 .190 2,900 2,600 26 54	7-103167-4
△ OBSOLETE	△	△	△	△	△	2,490 .190 2,800 2,500 25 52	7-103167-3
△ OBSOLETE	△	△	△	△	△	2,390 .190 2,700 2,400 24 50	7-103167-2
△ OBSOLETE	△	△	△	△	△	2,290 .190 2,600 2,300 23 48	7-103167-1
△ OBSOLETE	△	△	△	△	△	2,190 .190 2,500 2,200 22 46	7-103167-0
△ OBSOLETE	△	△	△	△	△	2,090 .190 2,400 2,100 21 44	6-103167-9
△ OBSOLETE	△	△	△	△	△	1,990 .190 2,300 2,000 20 42	6-103167-8
△ OBSOLETE	△	△	△	△	△	1,890 .190 2,200 1,900 19 40	6-103167-7
△ OBSOLETE	△	△	△	△	△	1,790 .190 2,100 1,800 18 38	6-103167-6
△ OBSOLETE	△	△	△	△	△	1,690 .190 2,000 1,700 17 36	6-103167-5
△ OBSOLETE	△	△	△	△	△	1,590 .190 1,900 1,600 16 34	6-103167-4
△ OBSOLETE	△	△	△	△	△	1,490 .190 1,800 1,500 15 32	6-103167-3
△ OBSOLETE	△	△	△	△	△	1,390 .190 1,700 1,400 14 30	6-103167-2
△ OBSOLETE	△	△	△	△	△	1,290 .190 1,600 1,300 13 28	6-103167-1
△	△	△	△	△	△	1,190 .190 1,500 1,200 12 26	6-103167-0
△	△	△	△	△	△	1,090 .190 1,400 1,100 11 24	5-103167-9
△	△	△	△	△	△	.990 .190 1,300 1,000 10 22	5-103167-8
△	△	△	△	△	△	.890 .190 1,200 900 9 20	5-103167-7
△	△	△	△	△	△	.790 .190 1,100 800 8 18	5-103167-6
△	△	△	△	△	△	.690 .190 1,000 700 7 16	5-103167-5
△	△	△	△	△	△	.590 .190 900 600 6 14	5-103167-4
△	△	△	△	△	△	.490 .190 800 500 5 12	5-103167-3
△	△	△	△	△	△	.390 .190 700 400 4 10	5-103167-2
△	△	△	△	△	△	.290 .190 600 300 3 8	5-103167-1
△ OBSOLETE	△	△	△	△	△	.190 .600 300 3 8	5-103167-0
△ OBSOLETE	△	△	△	△	△	3,490 .190 3,800 3,500 35 72	3-103167-3
△ OBSOLETE	△	△	△	△	△	3,390 .190 3,700 3,400 34 70	3-103167-2
△ OBSOLETE	△	△	△	△	△	3,290 .190 3,600 3,300 33 68	3-103167-1
△ OBSOLETE	△	△	△	△	△	3,190 .190 3,500 3,200 32 66	3-103167-0
△ OBSOLETE	△	△	△	△	△	3,090 .190 3,400 3,100 31 64	2-103167-9
△ OBSOLETE	△	△	△	△	△	2,990 .190 3,300 3,000 30 62	2-103167-8
△ OBSOLETE	△	△	△	△	△	2,890 .190 3,200 2,900 29 60	2-103167-7
△ OBSOLETE	△	△	△	△	△	2,790 .190 3,100 2,800 28 58	2-103167-6
△ OBSOLETE	△	△	△	△	△	2,690 .190 3,000 2,700 27 56	2-103167-5
△ OBSOLETE	△	△	△	△	△	2,590 .190 2,900 2,600 26 54	2-103167-4
△ OBSOLETE	△	△	△	△	△	2,490 .190 2,800 2,500 25 52	2-103167-3
△ OBSOLETE	△	△	△	△	△	2,390 .190 2,700 2,400 24 50	2-103167-2
△ OBSOLETE	△	△	△	△	△	2,290 .190 2,600 2,300 23 48	2-103167-1
△ OBSOLETE	△	△	△	△	△	2,190 .190 2,500 2,200 22 46	2-103167-0
△ OBSOLETE	△	△	△	△	△	2,090 .190 2,400 2,100 21 44	1-103167-9
△ OBSOLETE	△	△	△	△	△	1,990 .190 2,300 2,000 20 42	1-103167-8
△ OBSOLETE	△	△	△	△	△	1,890 .190 2,200 1,900 19 40	1-103167-7
△ OBSOLETE	△	△	△	△	△	1,790 .190 2,100 1,800 18 38	1-103167-6
△ OBSOLETE	△	△	△	△	△	1,690 .190 2,000 1,700 17 36	1-103167-5
△ OBSOLETE	△	△	△	△	△	1,590 .190 1,900 1,600 16 34	1-103167-4
△ OBSOLETE	△	△	△	△	△	1,490 .190 1,800 1,500 15 32	1-103167-3
△ OBSOLETE	△	△	△	△	△	1,390 .190 1,700 1,400 14 30	1-103167-2
△ OBSOLETE	△	△	△	△	△	1,290 .190 1,600 1,300 13 28	1-103167-1
△	△	△	△	△	△	1,190 .190 1,500 1,200 12 26	1-103167-0
△	△	△	△	△	△	1,090 .190 1,400 1,100 11 24	103167-9
△	△	△	△	△	△	.990 .190 1,300 1,000 10 22	103167-8
△	△	△	△	△	△	.890 .190 1,200 900 9 20	103167-7
△	△	△	△	△	△	.790 .190 1,100 800 8 18	103167-6
△	△	△	△	△	△	.690 .190 1,000 700 7 16	103167-5
△	△	△	△	△	△	.590 .190 900 600 6 14	103167-4
△	△	△	△	△	△	.490 .190 800 500 5 12	103167-3
△	△	△	△	△	△	.390 .190 700 400 4 10	103167-2
△	△	△	△	△	△	.290 .190 600 300 3 8	103167-1
△	△	△	△	△	△	.190 .600 300 3 8	103167-0

THIS DRAWING IS A CONTROLLED DOCUMENT.

REVISIONS	DATE	BY	CHK	APP
1				

TE Connectivity

HDR ASSY, MOD II, SHRROUDED, 4 SIDES, DCL ROW, .100K-100 RIGHT ANGLE, W/.0025 SQ POSTS

SIZE: 4.1

CUSTOMER DRAWING: A100779 G=103167