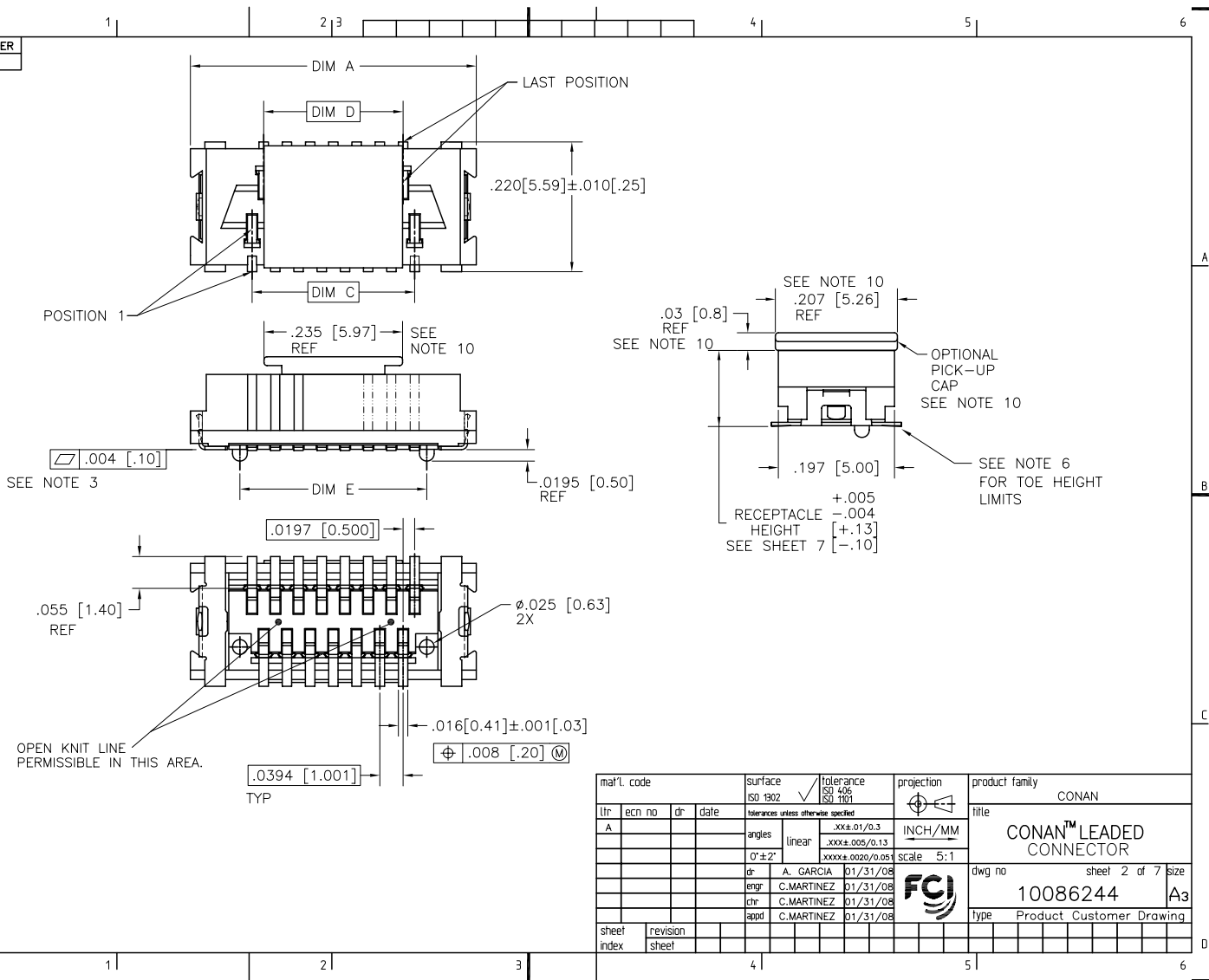


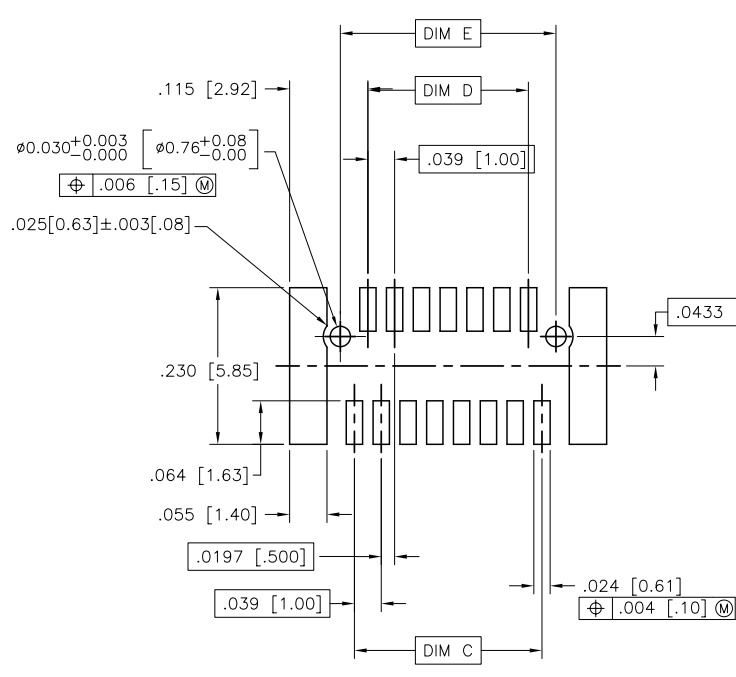
PRODUCT NUMBER
SEE TABLE



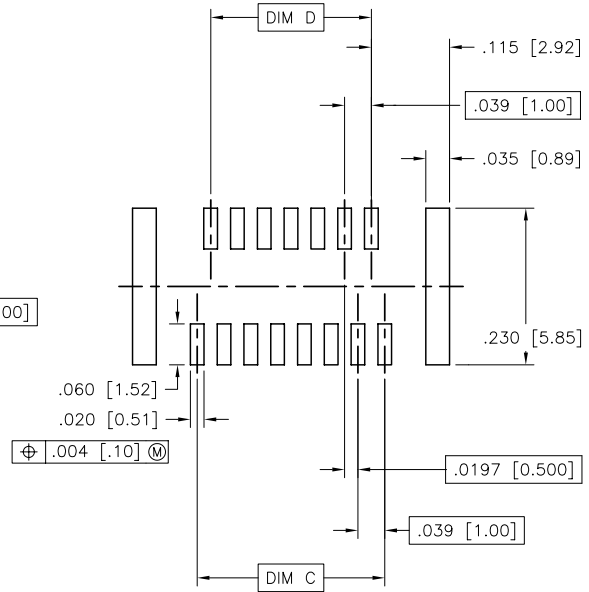
mat'l. code		surface	tolerance	projection	product family
ISO 1902		ISO 406	ISO 1101	INCH/MM	CONAN
itr		tolerances unless otherwise specified		title	
A	ecr no	dr	date	CONAN™ LEADED CONNECTOR	
				scale	5:1
				sheet	2 of 7
				size	A3
				dwg no	10086244
				Type	Product Customer Drawing

PDM: Rev:A STATUS:Released Printed: Oct 12, 2010

PRODUCT NUMBER
SEE TABLE



RECOMMENDED
PAD LAYOUT



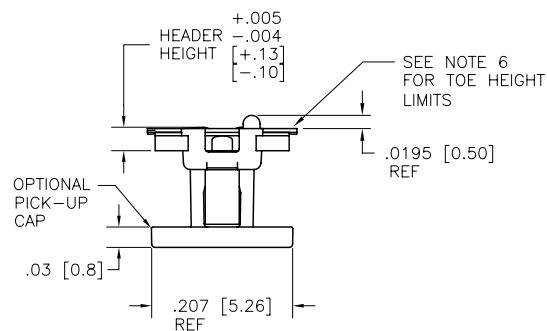
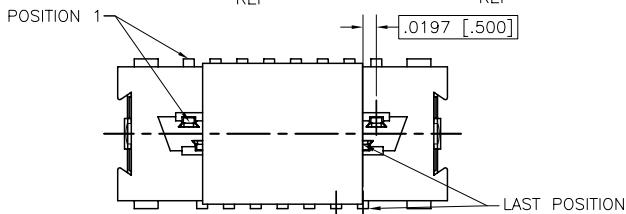
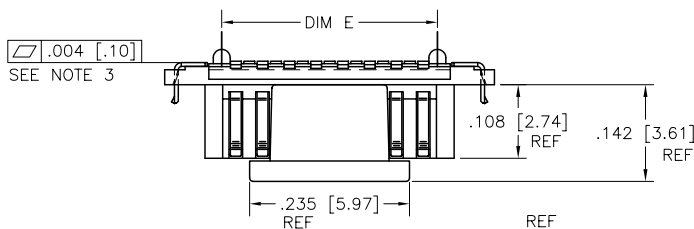
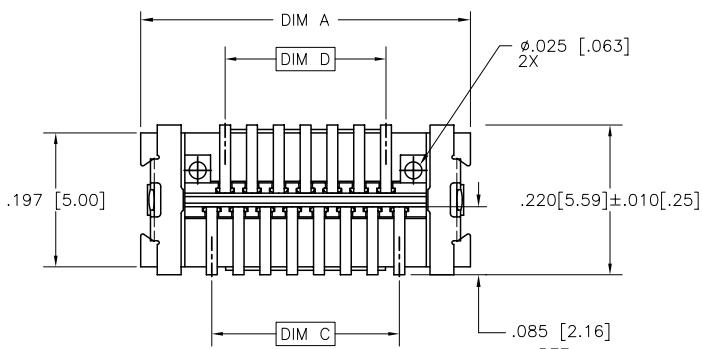
RECOMMENDED
STENCIL LAYOUT
FOR RECEPTACLE



Copyright FCI

mat'l. code		surface ISO 1902	tolerance ISO 406 ISO 1101	projection 1st angle	product family CONAN
ltr	ecrn no	dr	date	title CONAN™ LEADED CONNECTOR	
A				sheet 3 of 7 size A3	
		tolerances unless otherwise specified		dwg no 10086244	
		angles	linear	Type Product Customer Drawing	
		0°±2'	XXX±.01/0.3 XXXX±.005/0.13 XXXXX±.0020/0.051	scale 5:1	
		dr	enr	FCI	
		chr	appd	A. GARCIA 01/31/08 C.MARTINEZ 01/31/08 C.MARTINEZ 01/31/08 C.MARTINEZ 01/31/08	
sheet index	revision sheet				

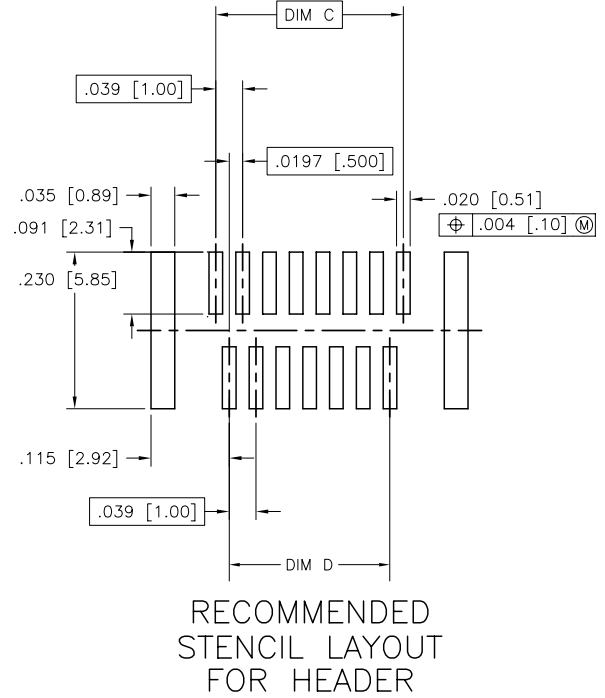
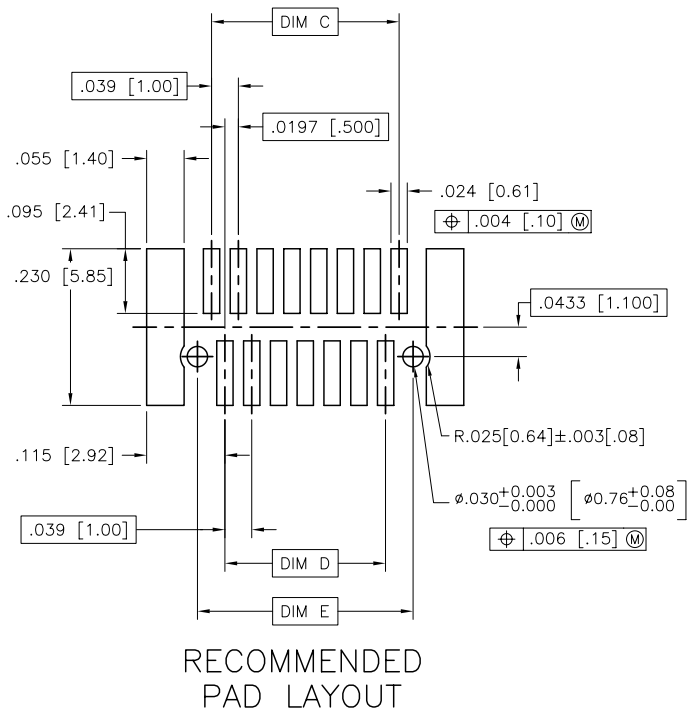
PRODUCT NUMBER
SEE TABLE



mat'l. code		surface ISO 1302	tolerance ISO 406 ISO 1101	projection	product family CONAN
ltr	ecr no	dr	date	INCH/MM	title CONAN™ LEADED CONNECTOR
A				scale 5:1	dwg no 10086244 sheet 4 of 7 size A3
sheet index		revision sheet			Type Product Customer Drawing

PDM: Rev:A STATUS Released Printed: Oct 12, 2010

PRODUCT NUMBER
SEE TABLE



mat'l. code		surface ISO 1902	tolerance ISO 406 ISO 1101	projection FIRST ANGLE	product family CONAN
ltr	ecr no	dr	date	title CONAN™ LEADED CONNECTOR	
A				sheet 5 of 7 size A3	
angles		linear	linear	INCH/MM	10086244
0° ± 2'		linear	linear	scale 5:1	Type Product Customer Drawing
dr	A. GARCIA	01/31/08		FCJ	
engr	C.MARTINEZ	01/31/08			
chr	C.MARTINEZ	01/31/08			
appd	C.MARTINEZ	01/31/08			
sheet index	revision sheet				

PRODUCT NUMBER	POS	DIM "A"	DIM "C"	DIM "D"	DIM "E"
10086244-TCWXY09	9	.366 [9.30]	.157 [4.00]	.118 [3.00]	.1990 [5.055]
-WXY11	11	.406 [10.30]	.197 [5.00]	.157 [4.00]	.2380 [6.045]
-WXY15	15	.484 [12.30]	.276 [7.00]	.236 [6.00]	.3170 [8.052]
-WXY21	21	.602 [15.30]	.394 [10.00]	.354 [9.00]	.4350 [11.049]
-WXY25	25	.681 [17.30]	.472 [12.00]	.433 [11.00]	.5140 [13.056]
-WXY31	31	.800 [20.30]	.591 [15.00]	.551 [14.00]	.6320 [16.053]
-WXY41	41	.996 [25.30]	.787 [20.00]	.748 [19.00]	.8290 [21.057]
-WXY51	51	1.193 [30.30]	.984 [25.00]	.945 [24.00]	1.0260 [26.060]
-WXY69	69	1.547 [39.30]	1.339 [34.00]	1.299 [33.00]	1.3800 [35.052]

NOTES:

1. MATERIALS:
 RECEPTACLE HOUSING - LCP, UL-94V-0. COLOR: NATURAL.
 RECEPTACLE TERMINALS - COPPER ALLOY, PLATED WITH 15u"/.38u GXT™ IN CONTACT AREA AND 100u"/2.54u SnPb ON SOLDER LEGS WITH AN OVERALL 50u"/1.27u Ni UNDERPLATE.
 HEADER HOUSING - LCP, UL-94V-0. COLOR: NATURAL.
 HEADER TERMINALS - COPPER ALLOY, PLATED WITH 15u"/.38u GXT™ IN CONTACT AREA AND 100u"/2.54u SnPb ON SOLDER LEGS WITH AN OVERALL 50u"/1.27u Ni UNDERPLATE.
 RETENTION DEVICE - BRASS, PLATED WITH 100u"/2.54u SnPb OVER NICKEL.
2. REFERENCE GS-12-006 FOR PRODUCT PERFORMANCE DATA.
3. SEE TA-774 FOR FURTHER DESCRIPTION OF HOW THIS DIMENSION IS APPLIED.
4. PICK AND PLACE CAP OR TAPE IS ONLY AVAILABLE WITH OPTION 3 PACKAGING. (PSA ADHESIVE SEALED). ALSO, PSA PACKAGING REQUIRES A PICK AND PLACE CAP.
5. RECOMMENDED SOLDER PASTE THICKNESS IS .006 TO .008 INCHES THICK.
6. THE TOE HEIGHT OF THE SOLDER TAIL SHALL BE MEASURED FROM THE LOWEST POINT OF THE .004 CO-PLANARITY GRAVITY PLANE. THIS MEASUREMENT IS NOT TO EXCEED A WINDOW OF .000 TO .007 INCHES.
7. THREE SLOTS MAY BE LOCATED AT EITHER END OF HOUSING.
8. 5.50mm MATED HEIGHT IS ONLY AVAILABLE IN 9, 15 AND 31 POS.
9. 7.50mm MATED HEIGHT IS ONLY AVAILABLE IN 9 POS.
10. APPLIES TO 91921-3XYZZ AND 91931-3XYZZ OPTIONS ONLY.
11. THE HOUSING WILL WITHSTAND EXPOSURE TO 260°C PEAK TEMPERATURE FOR 30 SECONDS IN A CONVECTION INFRA RED OR VAPOR PHASE REFLOW OVEN. SEE APPLICATION/PROCEDURES IF THEY ARE AVAILABLE

mat'l code		surface	tolerance	projection	product family
ISO 1902		ISO 406	ISO 1101		CONAN
itr	ecr no	dr	date	title	
A				CONAN LEADED CONNECTOR	
tolerances unless otherwise specified				INCH/MM	TM
angles	linear	.XXX±.01/0.3		scale	5:1
0°±2'		.XXX±.005/0.13		dwg no	
dr	A. GARCIA	01/31/08		sheet 6 of 7 size	
enr	C.MARTINEZ	01/31/08		10086244	
chr	C.MARTINEZ	01/31/08		A3	
appd	C.MARTINEZ	01/31/08		Type	
sheet index	revision sheet	Product Customer Drawing			

PRODUCT NUMBER
SEE TABLE

CONAN ASSEMBLY PART NUMBER

10086244 -T C W X Y ZZ

TYPE	T
HEADER WITH NO PEGS	0
HEADER WITH PEGS	1
RECEPTACLE WITH NO PEGS	2
RECEPTACLE WITH PEGS	3

PICK AND PLACE CAP OR TAPE (NOTE 4)	C
WITHOUT CAP OR TAPE	0
WITH CAP	1
WITH TAPE (RECEPTACLE ONLY)	2

PACKAGING	W
TUBE	2
PRESSURE SEALED TAPE & REEL	3

NOTE 4

Y	HEADER HEIGHT	RECEPTACLE HEIGHT	MATED HEIGHT +.010 -.008 [+.25] [-.20]
1	.034 [1.86]	.129 [3.28]	.163 [4.15]
2	.048 [1.23]	SEE Y=1 FOR ALL RECEPTACLES	.177 [4.50]
3	.068 [1.73]		.197 [5.00]
4	.107 [2.72]		.236 [6.00]
5	.1465 [3.721]		.276 [7.00]
6	.088 [2.23]		.216 [5.50]
* 7	.1665 [4.229]		.296 [7.52]
**			

* NOTE 8
** NOTE 9

X	PLATING
1	15u"/.38u GXT™
2	30u"/.76u GXT™

ZZ	NUMBER OF POSITIONS
09	9
11	11
15	15
21	21
25	25
31	31
41	41
51	51
69	69

EXAMPLE: 91921-31125
IS A CONAN RECEPTACLE ASSEMBLY,
HAVING NO PEGS AND WITH A PICK AND PLACE CAP.
IT ALSO HAS GXT™ PLATING, IS .13 [3.2] HIGH AND 25
POSITIONS AND IS PACKAGED IN PRESSURE SEALED TAPE,
REEL.

mat'l. code		surface ISO 1902	tolerance ISO 406 ISO 1101	projection	product family CONAN
ltr	ecr no	dr	date	title CONAN™ LEADED CONNECTOR	
A				INCH/MM	dwg no 10086244
		angles linear		scale 5:1	sheet 7 of 7 size A3
		dr A. GARCIA 01/31/08		FCJ	Type Product Customer Drawing
		enr C.MARTINEZ 01/31/08			
		chr C.MARTINEZ 01/31/08			
		appd C.MARTINEZ 01/31/08			
sheet index	revision sheet				