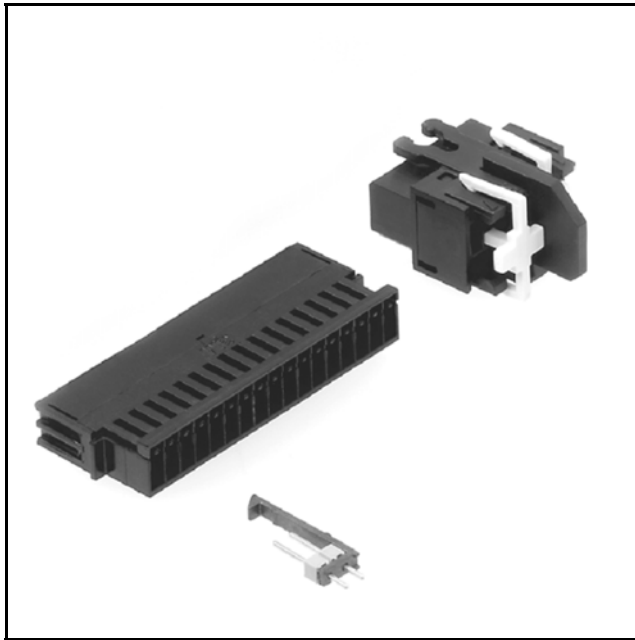


3M™ Shielded Controlled Impedance (SCI)

.100"

Assembly Hardware



2 Row Carrier Housing

- Carriers available in 3M .100" × .100" Socket (2.54 mm × 2.54 mm)
- Compatible with 3M .100" × .100" Headers (2.54 mm × 2.54 mm)
- Available in short or long latch styles

3 Row Carrier Housing

- Integral locking feature
- Includes two retention clips

2 Pin Header Latch

- Available for the right angle SCI connector
- RoHS* compliant

Date Modified: August 10, 2006

TS-0802-08
Sheet 1 of 3

Physical

Insulation Material:

2 Row: Polycarbonate

3 Row: Glass Reinforced Polyester

Color: Black

Flammability: UL 94V-0

Marking: 3M Logo

*RoHS = Directive 2002/95/EC, Restriction of the Use of Certain Hazardous Substances in Electrical and Electronic Equipment
"RoHS compliant" means that the product or part does not contain any of the following substances in excess of the following maximum concentration values in any homogeneous material, unless the substance is in an application that is exempt under RoHS: (a) 0.1% (by weight) for lead, mercury, hexavalent chromium, polybrominated biphenyls or polybrominated diphenyl ethers; or (b) 0.01% (by weight) for cadmium. Unless otherwise stated by 3M in writing, this information represents 3M's knowledge and belief based upon information provided by third party suppliers to 3M.

3M™ Shielded Controlled Impedance (SCI)

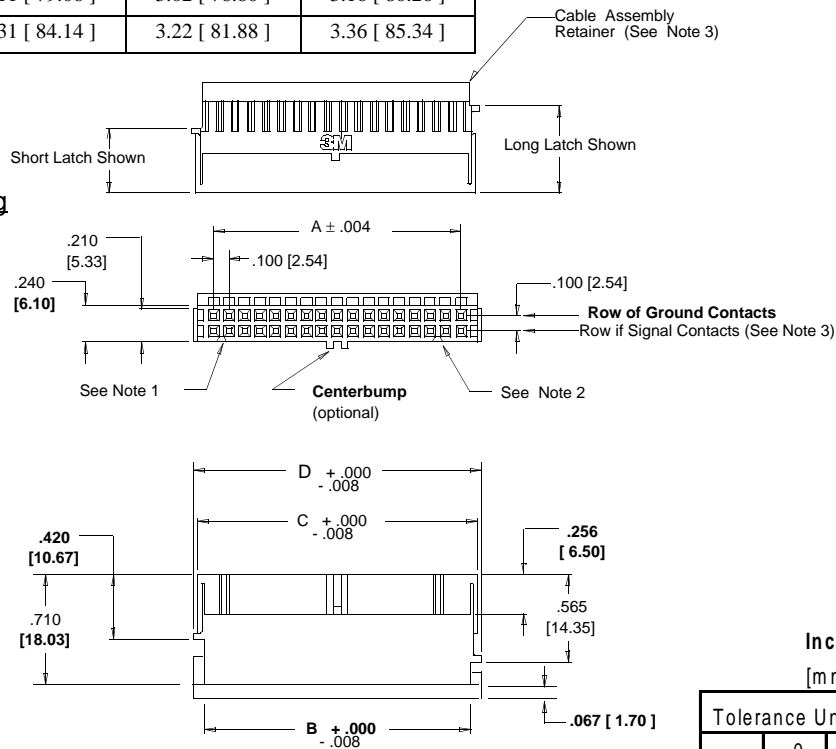
.100"

Assembly Hardware

Contact Quantity	Dimension A	Dimension B	Dimension C	Dimension D
06	0.20 [5.08]	0.41 [10.48]	0.32 [8.22]	0.46 [11.68]
08	0.30 [7.62]	0.51 [13.02]	0.42 [10.76]	0.56 [14.22]
10*	0.40 [10.16]	0.61 [15.56]	0.52 [13.30]	0.66 [16.76]
12	0.50 [12.70]	0.71 [18.10]	0.62 [15.84]	0.76 [19.30]
14*	0.60 [15.24]	0.81 [20.64]	0.72 [18.38]	0.86 [21.84]
16*	0.70 [17.78]	0.91 [23.18]	0.82 [20.92]	0.96 [24.38]
20*	0.90 [22.86]	1.11 [28.26]	1.02 [26.00]	1.16 [29.46]
26*	1.20 [30.48]	1.41 [35.88]	1.32 [33.62]	1.46 [37.08]
30	1.40 [35.56]	1.61 [40.96]	1.52 [38.70]	1.66 [42.16]
34*	1.60 [40.64]	1.81 [46.04]	1.72 [43.78]	1.86 [47.24]
40*	1.90 [48.26]	2.11 [53.66]	2.02 [51.40]	2.16 [54.86]
50*	2.40 [60.96]	2.61 [66.36]	2.52 [64.10]	2.66 [67.56]
60	2.90 [73.66]	3.11 [79.06]	3.02 [76.80]	3.16 [80.26]
64*	3.10 [78.74]	3.31 [84.14]	3.22 [81.88]	3.36 [85.34]

*Tooled sizes

2 Row Carrier Housing



Notes:

1. Polarizing groove omitted for N = 6, N = 8.
2. Polarizing groove omitted for N = 6, N = 8, N = 10, N = 12, N = 14.
3. The "Normal" Retention Style is illustrated. For the "Reverse" Retention Style the Cable Assembly Retainer is flipped 180° end to end, and the "Signal" and "Ground" rows of contact are also reversed.

Tolerance Unless Noted			
	.0	.00	.000
inch	±.1	±.01	±.005

[] Dimensions for Reference Only

Ordering Information

2 Row Carrier Housing 98XX-XXXX

Contact Qty See Table 1

Carrier Style
 PS = Centerbump, Short Latches
 NS = No Centerbump, Short Latches
 PL = Centerbump, Long Latches
 NL = No Centerbump, Long Latches

Molded Retention Feature
 M0 = Normal
 MR = Reverse

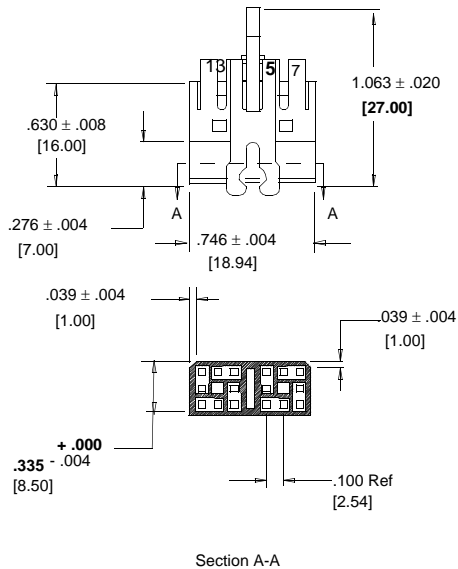
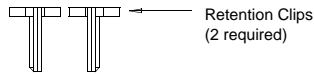
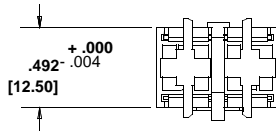
TS-0802-08
Sheet 2 of 3

3M™ Shielded Controlled Impedance (SCI)

.100"

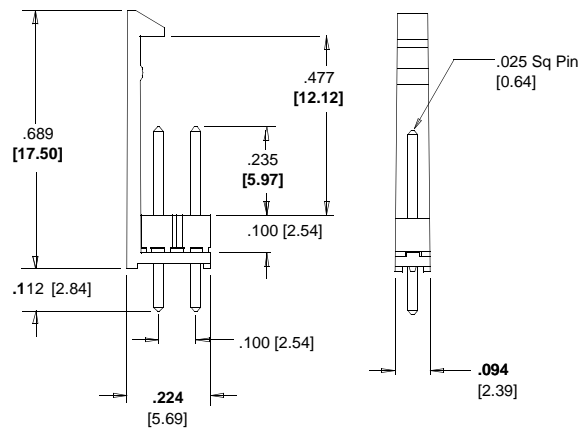
Assembly Hardware

3 x 7 Carrier Housing



Pin Strip with Latch

See Note 1



Inch
[mm]

Tolerance Unless Noted			
	.0	.00	.000
inch	±.1	±.01	±.005

[] Dimensions for Reference Only

Note:

1. Pin Strip Latch is for use with right angle SCI only.

Ordering Information

3 x 7 Carrier Housing
9821-5000

Pin Strip w/ Latch
2402-3505 RC

TS-0802-08
Sheet 3 of 3

Important Notice

All statements, technical information, and recommendations related to 3M's products are based on information believed to be reliable, but the accuracy or completeness is not guaranteed. Before using this product, you must evaluate it and determine if it is suitable for your intended application. You assume all risks and liability associated with such use. Any statements related to the product which are not contained in 3M's current publications, or any contrary statements contained on your purchase order shall have no force or effect unless expressly agreed upon, in writing, by an authorized officer of 3M.

3M

3M Electronics

6801 River Place Blvd.
Austin, TX 78726-9000
800/225-5373
www.3M.com/electronics

Warranty; Limited Remedy; Limited Liability.

This product will be free from defects in material and manufacture for a period of one (1) year from the time of purchase. **3M MAKES NO OTHER WARRANTIES INCLUDING, BUT NOT LIMITED TO, ANY IMPLIED WARRANTY OF MERCHANTABILITY OR FITNESS FOR A PARTICULAR PURPOSE.** If this product is defective within the warranty period stated above, your exclusive remedy shall be, at 3M's option, to replace or repair the 3M product or refund the purchase price of the 3M product. **Except where prohibited by law, 3M will not be liable for any indirect, special, incidental or consequential loss or damage arising from this 3M product, regardless of the legal theory asserted.**



*Minimum 10%
Post-Consumer Fiber*

Printed in USA.

© 3M 2006