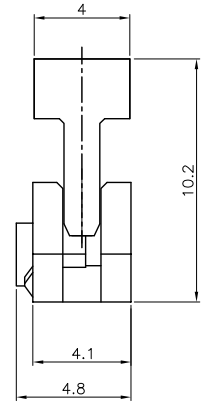
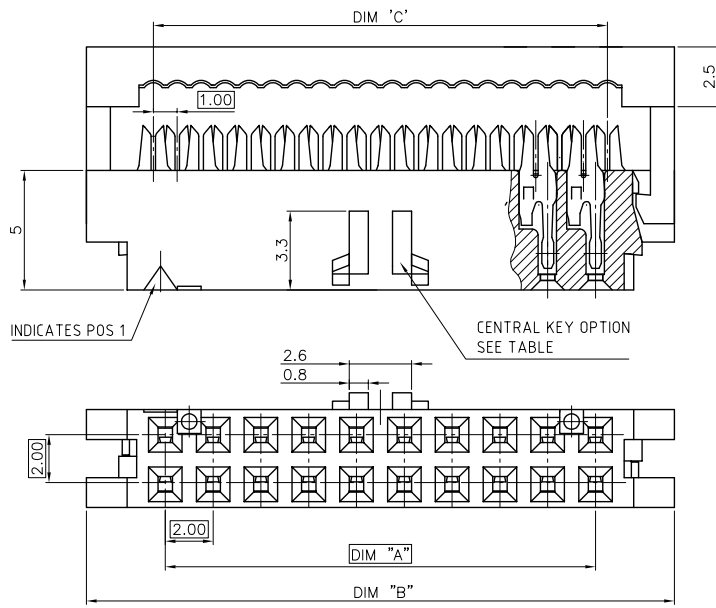


PRODUCT NUMBER  
89947-YXXSLF

- LEAD FREE, RoHS COMPLIANT, NOTE 4
- STRAIN RELIEF OPTION, NOTE 5
- TOTAL NB OF POSITIONS, SHEET 2.
- FEATURES, SHEET 2.



VIEW WITHOUT COVER

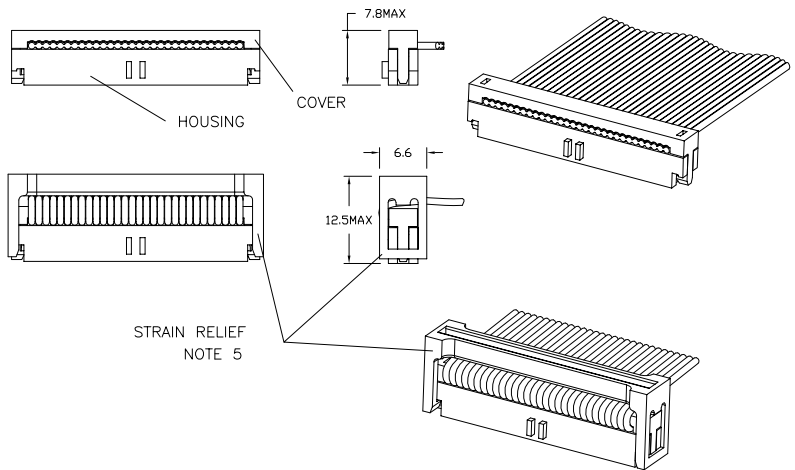
|             |                |          |                  |                                       |                                   |
|-------------|----------------|----------|------------------|---------------------------------------|-----------------------------------|
| mat'l. code |                | surface  | tolerance        | projection                            | product family                    |
| SEE NOTE    |                | ISO 1302 | ISO 406 ISO 1101 |                                       | MINITEK                           |
| Ltr         | ec'n no        | dr       | date             | tolerances unless otherwise specified | title                             |
| L           | F06-0211       | LMU      | 06.07.03         | angles                                | 2.00mm IDC                        |
| M           | F07-0215       | LMU      | 07.06.12         | linear                                | 0.76µm Au                         |
| N           | F08-0214       | J.CO     | 08.09.09         | 0°±x                                  | scale 1:1                         |
| P           | F09-0081       | JCO      | 09.08.27         | dr                                    | L.MULIN 07.03.20                  |
|             |                |          |                  | engr                                  | J.COMPAGNON 07.03.20              |
|             |                |          |                  | chr                                   |                                   |
|             |                |          |                  | app                                   | J.M.C 07.03.20                    |
| sheet index | revision sheet | P 1      | P 2              |                                       | FCJ                               |
|             |                |          |                  |                                       | dwg no 89947 sheet 1 of 2 size A3 |
|             |                |          |                  |                                       | type Product Customer Drawing     |

PDM: Rev:P

STATUS:Released

Printed: Sep 01, 2009

| PRODUCT NUMBER | TOTAL NB OF POS | DIM "A" | DIM "B" | DIM "C" | STRAIN RELIEF OPTION |
|----------------|-----------------|---------|---------|---------|----------------------|
| 89947-X06LF    | 2x3             | 4       | 10.6    | 5       | YES                  |
| 89947-X08LF    | 2x4             | 6       | 12.6    | 7       | YES                  |
| 89947-X10LF    | 2x5             | 8       | 14.6    | 9       | YES                  |
| 89947-X12LF    | 2x6             | 10      | 16.6    | 11      | YES                  |
| 89947-X14LF    | 2x7             | 12      | 18.6    | 13      | YES                  |
| 89947-X16LF    | 2x8             | 14      | 20.6    | 15      | YES                  |
| 89947-X18LF    | 2x9             | 16      | 22.6    | 17      | YES                  |
| 89947-X20LF    | 2x10            | 18      | 24.6    | 19      | YES                  |
| 89947-X22LF    | 2x11            | 20      | 26.6    | 21      | NOT TOOLED           |
| 89947-X24LF    | 2x12            | 22      | 28.6    | 23      | YES                  |
| 89947-X26LF    | 2x13            | 24      | 30.6    | 25      | YES                  |
| 89947-X28LF    | 2x14            | 26      | 32.6    | 27      | NOT TOOLED           |
| 89947-X30LF    | 2x15            | 28      | 34.6    | 29      | YES                  |
| 89947-X34LF    | 2x17            | 32      | 38.6    | 33      | YES                  |
| 89947-X36LF    | 2x18            | 34      | 40.6    | 35      | NOT TOOLED           |
| 89947-X40LF    | 2x20            | 38      | 44.6    | 39      | YES                  |
| 89947-X44LF    | 2x22            | 42      | 48.6    | 43      | YES                  |
| 89947-X48LF    | 2x24            | 46      | 52.6    | 47      | YES                  |
| 89947-X50LF    | 2x25            | 48      | 54.6    | 49      | YES                  |



NOTES :

- MATERIAL : TERMINAL PHOSPHORE BRONZE  
BASE AND COVER : PBT GLASSFILLED UL 94V-0 BLACK
- PLATING : GOLD 0.76µm Au MIN ON CONTACT AREA  
NICKEL 1.27µm MIN UNDERPLATING ALL OVER
- RECOMMENDED CABLE SIZE : AWG28, STRANDED
- THIS PRODUCT MEETS EUROPEAN UNION DIRECTIVES AND OTHER COUNTRY REGULATIONS AS PER GS-22-008.  
PACKAGING SPECIFICATION AS PER GS-14-920.
- S= STRAIN RELIEF ACCESSORY, SEE TABLE FOR AVAILABILITY,  
OMIT LETTER FROM PARTNUMBER IF NOT APPLICABLE.

| PRODUCT CODE | WITHOUT CENTRAL KEY | WITH CENTRAL KEY | WITH CENTRAL KEY AND FRICTION LATCH BUMP | AVAILABILITY             |
|--------------|---------------------|------------------|--|--------------------------|
| 89947-7XX    |                     |                  | ○  | FROM 2X3 POS UP TO 2X17  |
| 89947-3XX    |                     | ○                |  | FROM 2x17 POS UP TO 2x25 |
| 89947-1XX    | ○                   |                  |  | FROM 2x3 POS UP TO 2x25  |

|             |                |                  |            |                                   |
|-------------|----------------|------------------|------------|-----------------------------------|
| mat'l. code | surface        | tolerance        | projection | product family                    |
| SEE NOTE    | ISO 1302 ✓     | ISO 406 ISO 1101 |            | MINITEK                           |
| Ltr         | ecn no         | dr               | date       | title                             |
| L           | F06-0211       | LMU              | 06.07.03   | 2.00mm IDC                        |
| M           | F07-0215       | LMU              | 07.06.12   | 0.76µm Au                         |
| N           | F08-0214       | JCO              | 08.09.09   |                                   |
| P           | F09-0081       | JCO              | 09.08.27   |                                   |
| engr        | J.COMPAGNON    |                  | 07.03.20   | FCJ                               |
| chr         |                |                  |            |                                   |
| appd        | J.M.C          |                  | 07.03.20   |                                   |
| sheet index | revision sheet |                  |            | dwg no 89947 sheet 2 of 2 size A3 |
|             |                |                  |            | type Product Customer Drawing     |