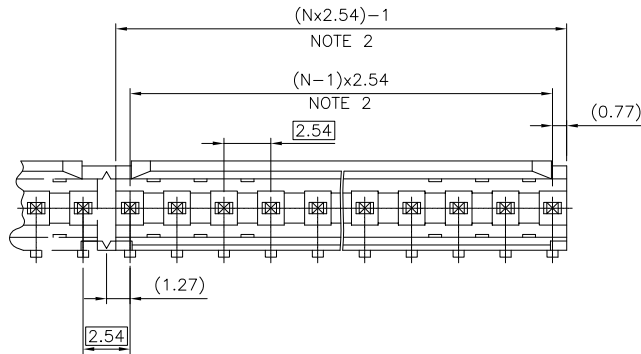
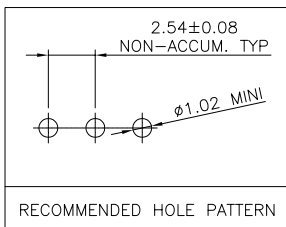
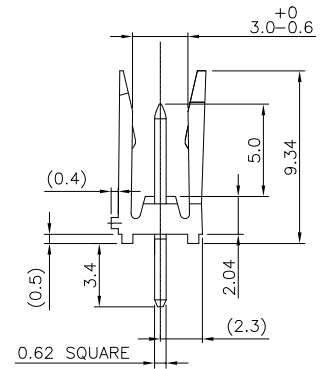
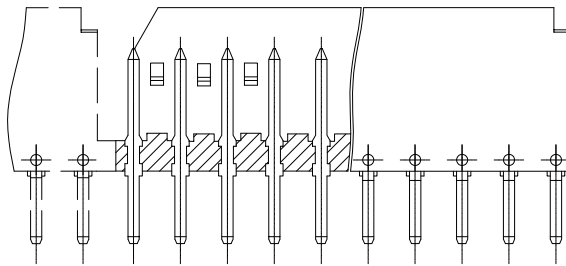


PRODUCT NUMBER
SEE SHEET 2



NOTES :

1. MINI PUSH-OUT FORCE TERMINAL IN BOTH DIRECTIONS 22N.
2. TO DETERMINE DIMENSIONS:
N = NUMBER OF POSITIONS PER ROW
EXAMPLE: 8 POS: $(N \times 2.54) - 1 = 19.32$ mm



mat'l. code	surface	tolerance	projection	product family
ISO 1302	ISO 406	ISO 1101	ISO 406	DUBOX
SEE NOTES				
ltr	ecn	no	dr	date
N	F06-0228	LMU		06.07.11
P	F06-0319	LMU		06.11.10
R	F07-0147	LMU		07.03.01
S	F07-0220	J.CO	dr	07.06.14
T	F08-0147	YOV	engr	08.04.14
M	F05-0159	LMU	appr	05.03.31
sheet	revision	T	E	
index	sheet	1	2	

tolerances unless otherwise specified	title	product family
.X ±0.3	SHR. HEADER	DUBOX
linear .XX ±0.15	STR SR TMT	
angles .XXX ±0.05		
scale 5:1		
	dwg no	sheet 1 of 2
	76384	size A3
	type	CUSTOMER Drawing

STANDARD PRODUCT NUMBER
76384-YXX

PLATING CODE _____ NUMBER OF POSITIONS: 02 TO 18.
 3= 0.76µm GOLD/GXT ON CONTACT AREA.
 3.81µm TIN-LEAD ON TAIL OVER 1.27µm Ni MIN.
 4= 3.81µm TIN LEAD OVER 1.27µm Ni MIN

NOTES:

- 1 - HOUSING MAT'L: THERMOPLASTIC GLASS FILLED
FLAME RETARDANT PER UL 94 V-0 COLOR: BLUE.
- 2 - TERMINAL MATERIAL: COPPER ALLOY.
- 3 - 2 UP TO 6 POSITIONS, PRODUCT PACKED IN PLASTIC BAG.
7 UP TO 18 POSITIONS, PRODUCT PACKED IN TUBE.
- 4 - ONLY DASH NUMBER -X02 AND -X03
ALWAYS TEN (10) PRODUCTS MOLDED ASSEMBLY
& DELIVERY TOGETHER ACCORDING PHANTOM LINES.

RoHS COMPLIANT PRODUCT NUMBER
76384-YXXLF

PLATING CODE _____ SUFFIX LETTER "LF" INDICATES THE PRODUCT IS RoHS COMPLIANT, SEE NOTE 5
 3= 0.76µm GOLD/GXT ON CONTACT AREA.
 2µm MIN MATTE TIN ON TAIL.
 OVER 1.27µm Ni MIN
 NUMBER OF POSITIONS: 02 TO 18
 4= 2µm MIN MATTE TIN
 OVER 1.27µm Ni MIN

NOTES:

- 1 - HOUSING MAT'L: THERMOPLASTIC GLASS FILLED
FLAME RETARDANT PER UL 94 V-0 COLOR: BLACK.
- 2 - TERMINAL MATERIAL: COPPER ALLOY.
- 3 - 2 UP TO 6 POSITIONS, PRODUCT PACKED IN PLASTIC BAG.
7 UP TO 18 POSITIONS, PRODUCT PACKED IN TUBE.
- 4 - ONLY DASH NUMBER -X02 AND -X03
ALWAYS TEN (10) PRODUCTS MOLDED ASSEMBLY
& DELIVERED ON STRIP ACCORDING PHANTOM LINES.
- 5 - RoHS COMPATIBLE PRODUCT SPECIFICATIONS
 - a - PLATING:
 - "LF" MEANS THE PRODUCT IS LEAD-FREE,
2µm MINIMUM MATTE TIN OVER 1.27µm
MINIMUM NICKEL UNDERPLATE.
 - b - MANUFACTURING PROCESS COMPATIBILITY
 - THE HOUSING WILL WITHSTAND EXPOSURE TO
260°C ±5°C SOLDER BATH TEMPERATURE FOR
5 SECONDS IN A WAVE SOLDER APPLICATION
WITH A 1.6mm MIN THICK CIRCUIT BOARD.
 - c - LABELING:
 - MEETS PACKAGING SPECS AS PER GS-14-920
 - d - LEGAL STATEMENT: SEE GS-22-008

mat'l. code		surface		tolerance		projection		product family	
SEE NOTES		ISO 1302		ISO 406 ISO 1101				DUBOX	
ltr	ecn	no	dr	date	tolerances unless otherwise specified		title		
A	F05-0159	LMU		05.03.31	angles	.X ±0.3	SHR. HEADER		
B	F06-0228	LMU		06.07.11	linear	.XX ±0.15	STR SR TMT		
C	F07-0147	LMU		07.03.01		.XXX ±0.05	scale 5:1		
D	F07-0220	JCO		07.06.14	dr	L.MULIN 05.03.25	dwg no		sheet 2 of
E	F08-0147	YOV		08.04.14	engr	J.COMPAGNON 05.03.25	76384		size
					chr		FCJ		A3
					appd	JM.C 05.03.25	type		CUSTOMER Drawing
sheet	revision								
index	sheet								