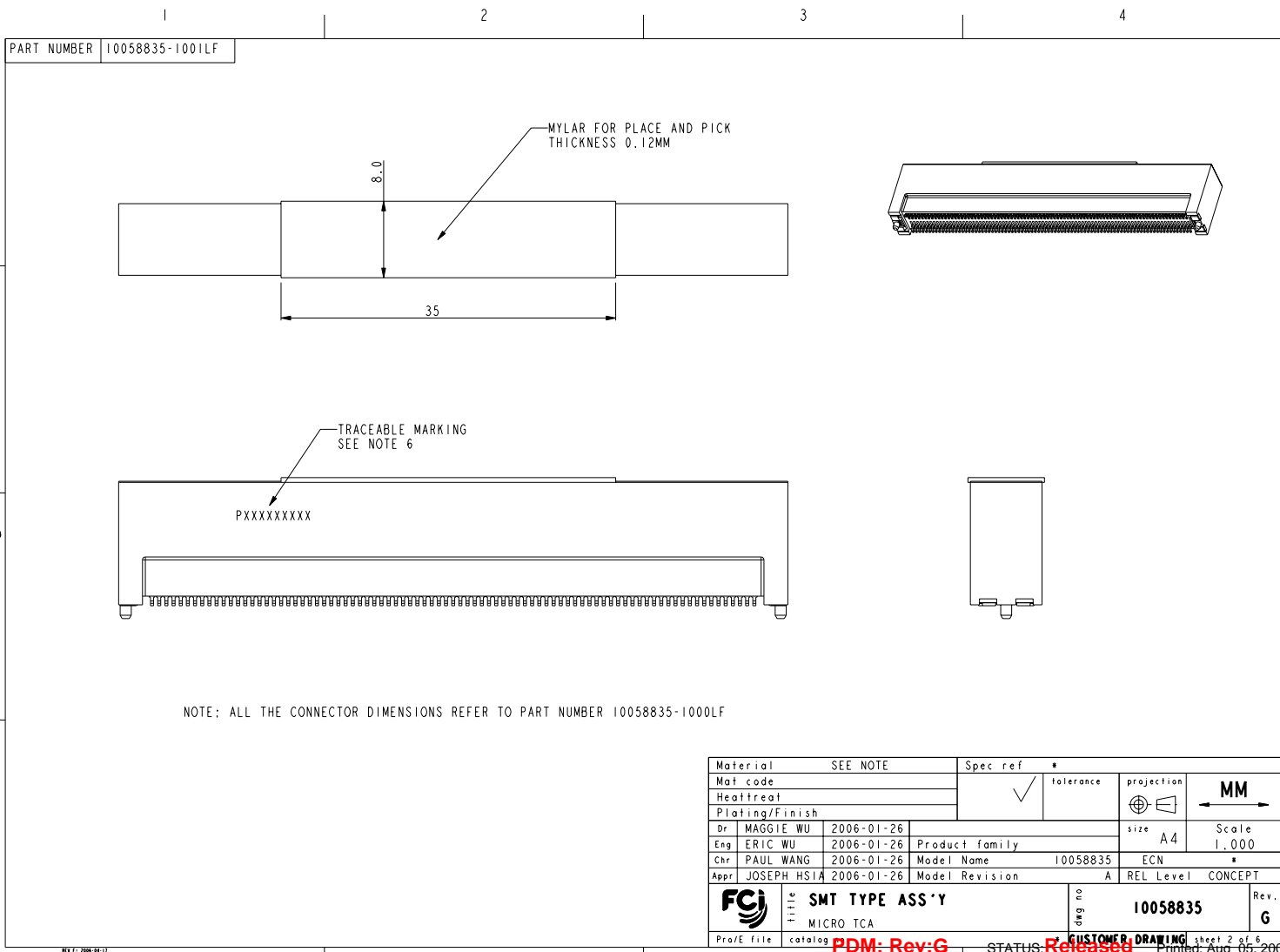


Mark with 10058835 REV. G in area indicated by X.....		Material	SEE NOTE	Spec ref	*
rev		Mat code		tolerance	projection
ecn no		Heat treat		✓	MM
dr		Plating/Finish		size	Scale
date		Dr	MAGGIE WU	2006-01-26	A4
A		Eng	ERIC WU	2006-01-26	1.000
B		Chr	PAUL WANG	2006-01-26	Product family
C		Appr	JOSEPH HSIA	2006-01-26	Model Name
D					10058835
E					ECN
F					*
G					REL Level
					CONCEPT
TOLERANCES UNLESS OTHERWISE SPECIFIED		FCI		SMT TYPE ASS'Y	
LINEAR	0.X	±0.3	title	MICRO TCA	
	0.XX	±0.20	Proj/E file	catlog	PDM: Rev:G
	0.XXX	±0.100			STATUS: Released
ANGULAR	0°	±2°			CUSTOMER DRAWING
					10058835
					Rev. G

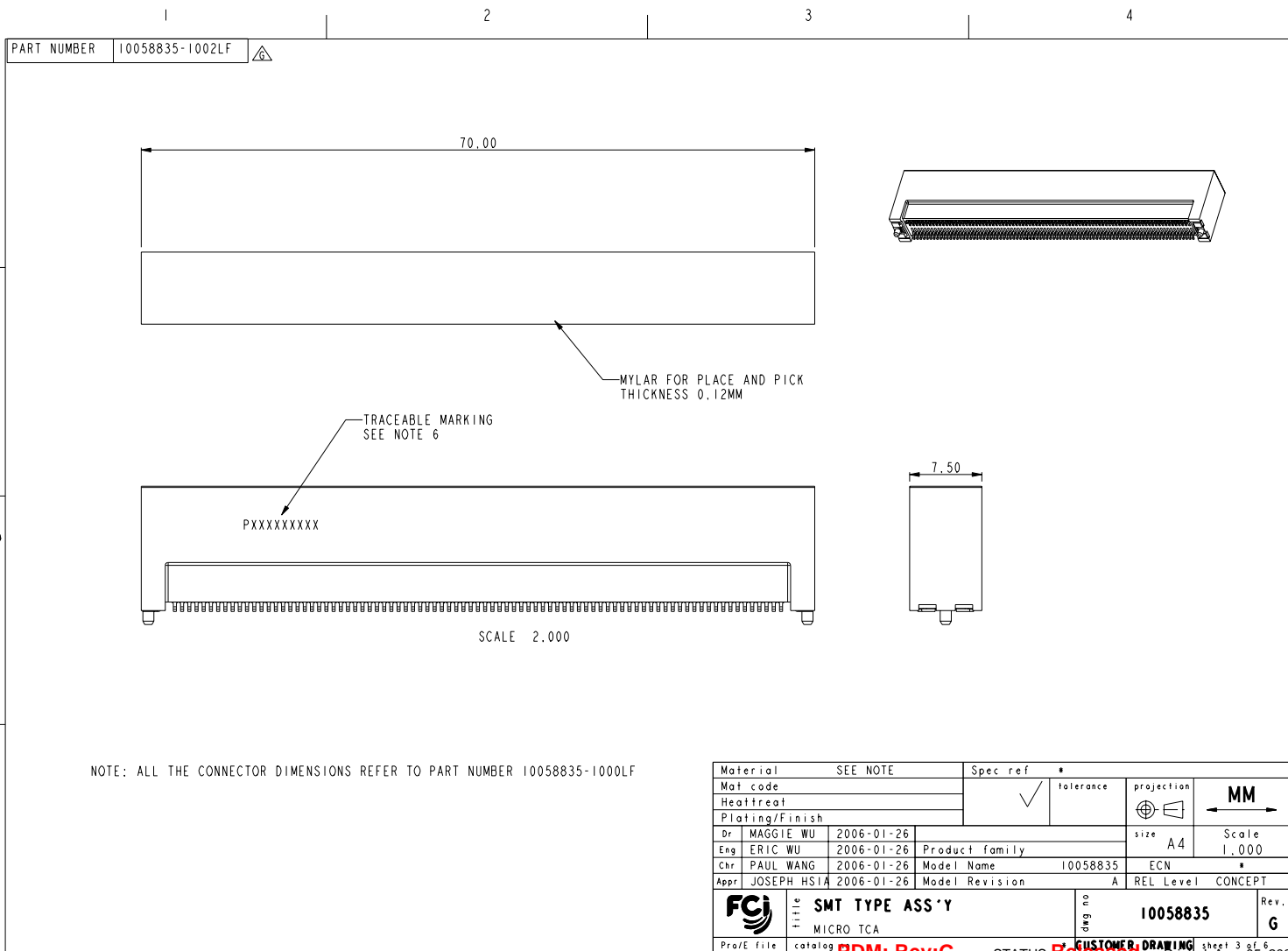
REV. F. 2006-04-11

Printed: Aug 05, 2009



Material	SEE NOTE	Spec ref	*	tolerance	projection	MM
Mat code				✓	⊕	
Heat treat						
Plating/Finish						
Dr	MAGGIE WU	2006-01-26			size A4	Scale 1:000
Eng	ERIC WU	2006-01-26	Product family			
Chr	PAUL WANG	2006-01-26	Model Name	10058835	ECN	*
Appr	JOSEPH HSIA	2006-01-26	Model Revision	A	REL Level	CONCEPT
FCI	SMT TYPE ASS'Y		Part no	10058835		Rev. G
Pro/E file	catalog	MICRO TCA				

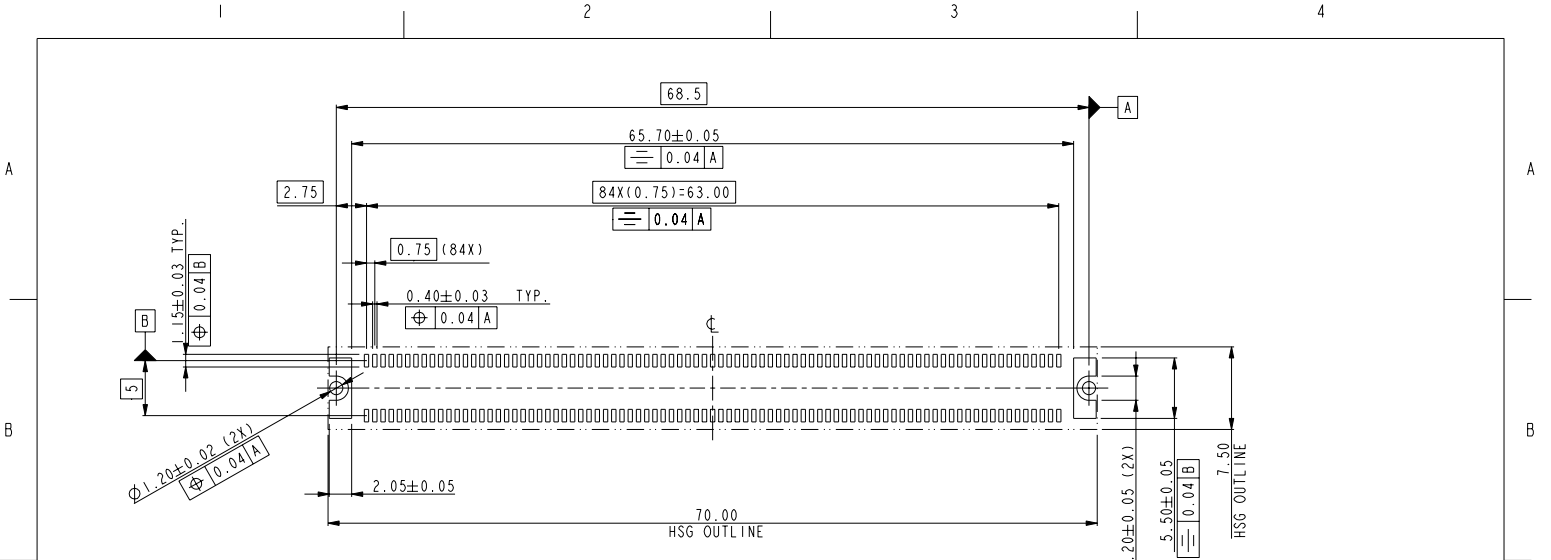
PDM: Rev:G STATUS: Released CUSTOMER DRAWING sheet 2 of 6 Printed: Aug 05, 2009



NOTE: ALL THE CONNECTOR DIMENSIONS REFER TO PART NUMBER 10058835-1000LF

Material	SEE NOTE	Spec ref	*	tolerance	projection	MM
Mat code				✓	⊕	←
Heat treat						
Plating/Finish						
Dr	MAGGIE WU	2006-01-26			size A4	Scale 1:000
Eng	ERIC WU	2006-01-26	Product family			
Chr	PAUL WANG	2006-01-26	Model Name	10058835	ECN	*
Appr	JOSEPH HSIA	2006-01-26	Model Revision	A	REL Level	CONCEPT
FCI	SMT TYPE ASS'Y		Part no	10058835		Rev. G
Pro/E file	catalog	MICRO TCA				

PDM: Rev:G STATUS: Released CUSTOMER DRAWING sheet 3 of 6 Printed: Aug 05, 2009



RECOMMENDED PCB LAYOUT
 (SEE PICMG MICROTCA BASE SPECIFICATION FOR DETAIL)

tolerance unless otherwise specified	
linear	.X ± .3 .XX ± .2 .XXX ± .1
angles	0° ± 2°



SMT TYPE ASS'Y
 MICRO TCA

Eng. no.

10058835

Rev.
G

PDM: Rev:G

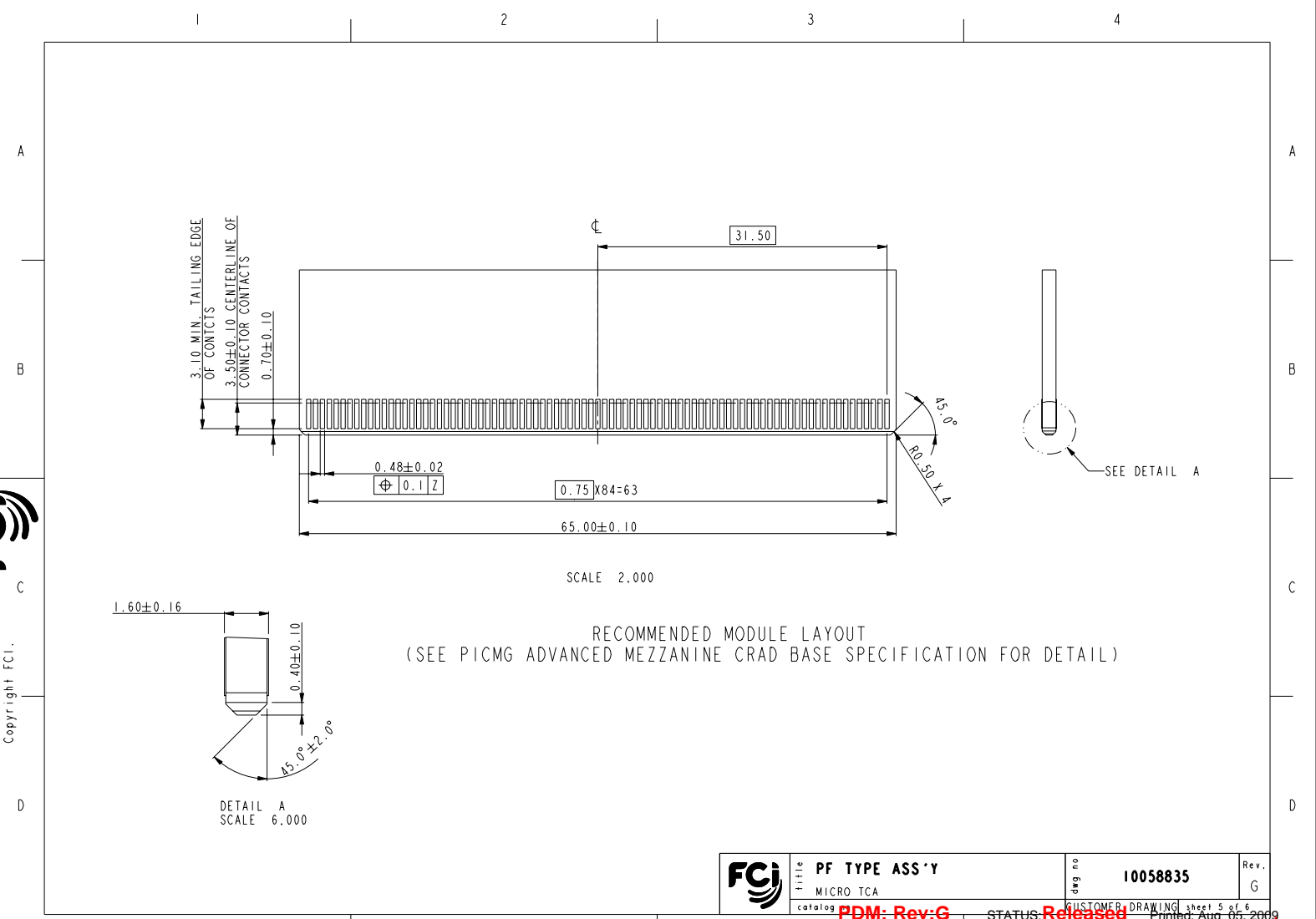
STATUS: Released

CUSTOMER DRAWING sheet 4 of 6
 Printed: Aug 05, 2009

REV 7 - 2004-04-17

Copyright FCI.

Copyright FCI.



	PF TYPE ASS'Y MICRO TCA catalog	drawing no 10058835	Rev. G
	PDM: Rev:G	STATUS: Released	CUSTOMER DRAWING sheet 5 of 6 Printed: Aug 05, 2009

REV 7 - 2004 04-17

1 2 3 4

NOTES:

1. MATERIAL:
HOUSING: HIGH TEMPERATURE, GLASS FILLED UL94V-0 RATED.
TERMINAL: COPPER ALLOY
PLATING: 1.27um NICKEL UNDERPLATE ALL OVER
CONTACT AREA PLATING - SEE PRODUCT NUMBER CODE
SOLDER TAIL: MAT TIN - 2.54um MIN.
SEE PRODUCT NUMBER CODE
2. PRODUCT SPECIFICATION: GS-12-362
3. PACKING SPECIFICATION: GS-14-1047
4. RoHS COMPATIBLE PRODUCT SPECIFICATIONS
a-PLATING:
- "LF" MEANS THE PRODUCT IS LEAD-FREE, 2um MINIMUM MATTE TIN OVER 1.27um MINIMUM NICKEL UNDERPLATE.
b-MANUFACTURING PROCESS COMPATIBILITY
- THE HOUSING WILL WITHSTAND EXPOSURE TO 260°C±5°C SOLDER BATH TEMPERATURE FOR 5 SECONDS IN A REFLOW SOLDER APPLICATION WITH A 1.6mm MIN THICK CIRCUIT BOARD.

PRODUCT NUMBER CODE
10058835 - X X X X L F

HOUSING COLOR OPTIONS
1-BLACK
2-WHITE

PEGS OPTIONS
0-PLASTIC PEGS

TERMINAL PLATING OPTIONS
0-0.76um Au CONTACT AREA

LEAD FREE

RESERVE
0-----WITHOUT MYLAR
1-----WITH MYLAR(35X8)
2-----WITH MYLAR(70X7.5)

5. MARKING INFORMATION:

P X X X X X X X X

- PRODUCTION LINE CODE
- DATE CODE THROUGH 01 TO 31
- WEEK NUMBER 01 THROUGH 53
- YEAR CODE:
MOST RIGHT OF DIGIT OF PRODUCTION.
(e.g 2007=7)
- MANUFACTURE SITE: 2 FOR DONGGUAN
- SOURCE,P FOR CHINA

HEIGHT OF THE MAKING TEXT: IMM MIN

tolerance unless otherwise specified	
linear	.X ± .3 .XX ± .2 .XXX ± .1
angles	0° ± 2°



SMT TYPE ASS'Y
MICRO TCA

Part no

10058835

Rev.
G

PDM: Rev:G

STATUS: Released

CUSTOMER DRAWING sheet 6 of 6
Printed: Aug 05, 2009

Copyright FCI.