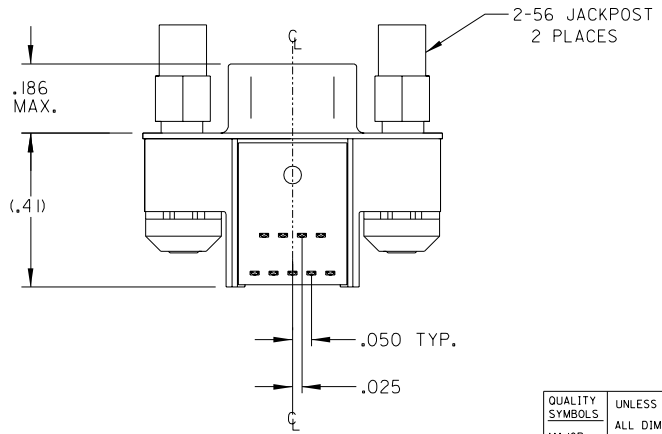
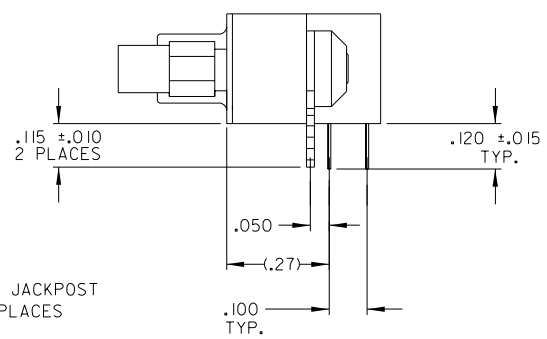
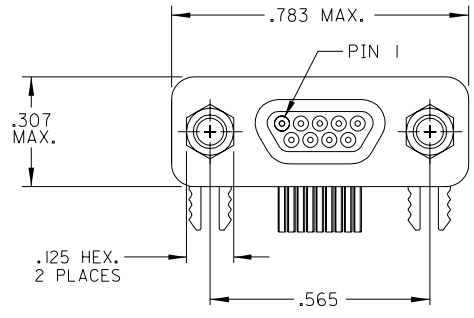


SD-83611-9015

REV	DATE	ECN NO.	APPVD BY	REL BY
A	9DEC98	UM9-0217	FVW	DLU
B	31MAR99	UM9-0412		



QUALITY SYMBOLS MAJOR = CRITICAL = SPC =	UNLESS SPECIFIED: ALL DIMENSIONS IN INCHES	SCALE NONE DWG SIZE B	THIRD ANGLE PROJECTION	REVISE ON CAD ONLY	
	GENERAL TOLERANCES: 3 PLACE ± .005 2 PLACE ± .010 ANGULAR ± 2°	DRAWN BY & DATE D.LURBACH 8DEC98	TITLE: COMMERCIAL MICRO-D CONNECTOR, PLUG, SIZE 9, RIGHT ANGLE		
	Uti-Mate CAGE CODE 58967	CHECKED BY & DATE APPROVED BY & DATE CAD FILENAME 36119015.S99	PART NO. 83611-9015	DRAWING NO. SD-83611-9015	SHEET NO. 1 OF 2
	THIS DRAWING CONTAINS INFORMATION THAT IS PROPRIETARY TO MOLEX INCORPORATED AND SHOULD NOT BE USED WITHOUT WRITTEN PERMISSION.				MOLEX INCORPORATED Uti-Mate, Inc. Orange, CA 92868 REV B

2. MARKING: NONE.
 1. REFER TO PS-83421-9000 FOR PRODUCT SPECIFICATION.
 NOTES: UNLESS OTHERWISE SPECIFIED.