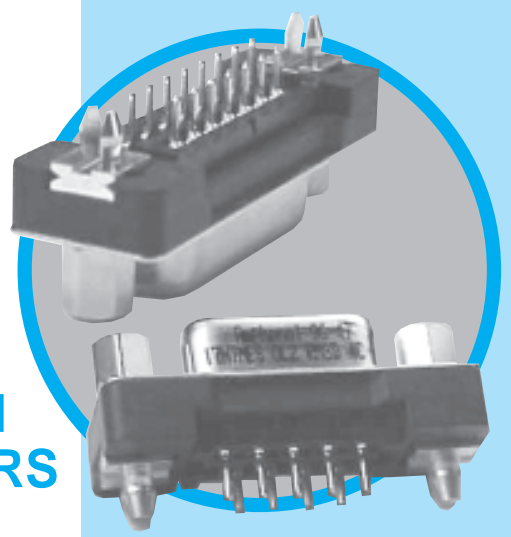


# TS

D-Sub connectors - Stamped and Formed Contacts

## STRAIGHT PCB TERMINATION ONE METAL SHELL CONNECTORS



CHARACTERISTICS

### Specifications

- Connectors according to MIL C24308

Materials and Platings	
<b>Shells</b>	Steel, tin over nickel plating
<b>Insulator</b>	Glass-filled thermoplastic, UL 94V-0
<b>Contacts</b>	Copper alloy, with selective gold plating
<b>Boardlock</b>	Brass with nickel plating
<b>Screwlock</b>	Brass with nickel plating

Electrical Data	
<b>Current rating</b>	5A
<b>Voltage rating</b>	600V AC/rms 50Hz
<b>Withstanding voltage</b>	1000V AC/rms 50Hz for one minute
<b>Insulation resistance</b>	5000MΩ
<b>Contact resistance</b>	10mΩ max

Climatic Data	
<b>Operating temperature</b>	-55°C to +125°C

Mechanical Data		
<b>Mating and unmating force</b>		
Unit: kg ( lb)		
No. of Cts	Mate (max)	Unmate (min)
9	3.05 (6.74)	0.36 (0.79)
15	5.09 (11.24)	0.46 (1.01)
25	8.44 (18.66)	0.81 (1.8)
37	12.51 (27.65)	1.1 (2.47)
<b>Standard plating thicknesses</b>		
<ul style="list-style-type: none"> <li>• gold flash</li> <li>• 0.4µm (15µ") gold</li> <li>• 0.76 µm (30µ") gold</li> </ul>		

DESCRIPTION

The one shell D-sub Amphenol series features, stamped and formed contacts.

This series gives you Amphenol's high standards of quality and reliability to meet all of your commercial requirements

Economical  
straight PCB,  
one shell  
connectors

APPLICATIONS

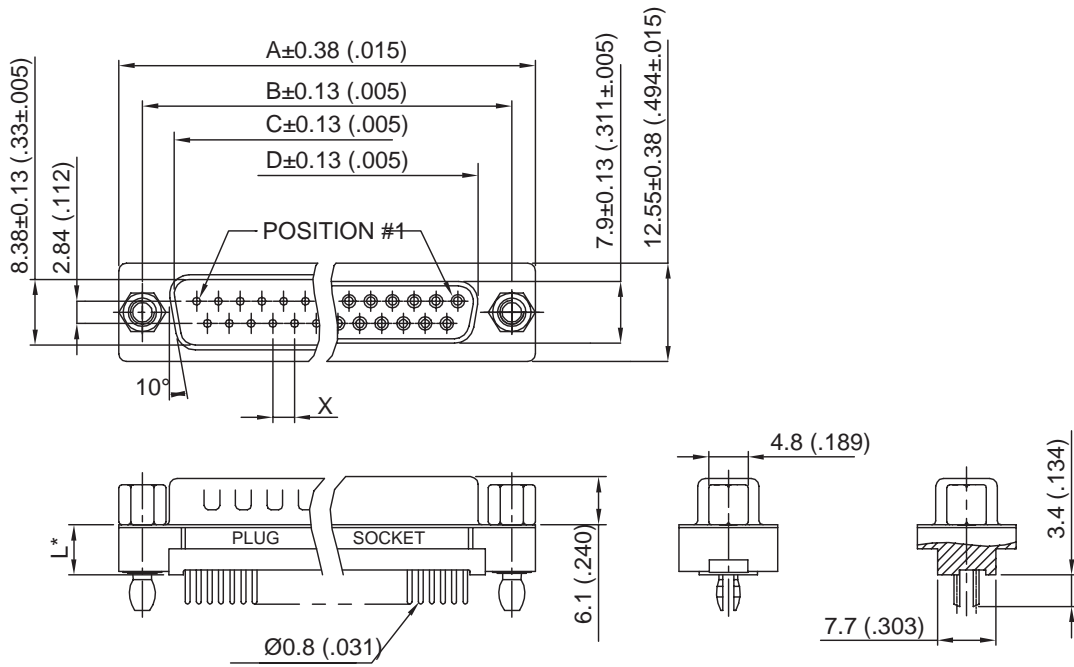
- Industrial
- Telecom
- Any industry standard I / O connections



**Amphenol**

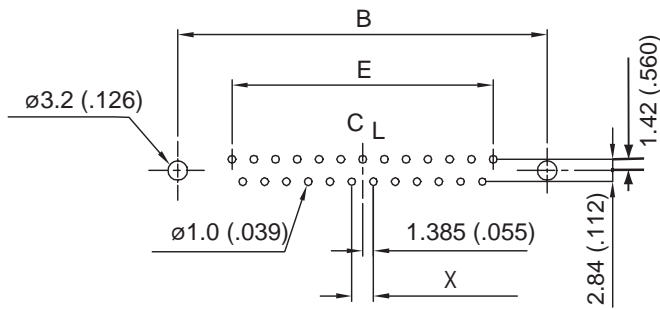
TS / E10

## Shell Size Dimensions



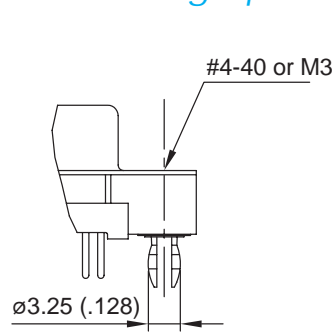
\*see chart "how to order"

### RECOMMENDED P.C.B. LAYOUT

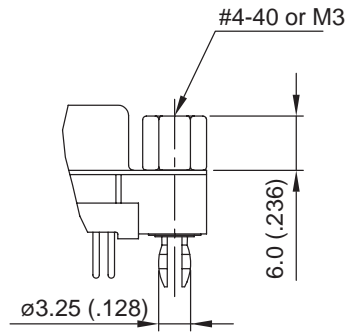


Nb OF CONTACTS	DIMENSIONS mm (inch)					
	A	B	C	D	E	X
9	30.84 (1.21)	24.99 (.984)	16.92 (.666)	16.26 (.640)	11.08 (.436)	2.74
15	39.24 (1.54)	33.32 (1.31)	25.25 (.994)	24.56 (.967)	19.39 (.763)	2.74
25	53.04 (2.09)	47.04 (1.85)	38.96 (1.53)	38.30 (1.51)	33.24 (1.31)	2.77
37	69.34 (2.73)	63.50 (2.50)	55.42 (2.18)	54.76 (2.16)	49.86 (1.96)	2.77

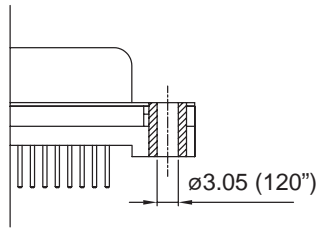
## Panel mounting option



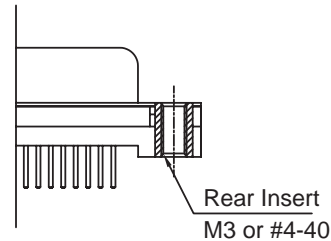
**Boardlock with Threaded Insert**  
**RM5**



**Boardlock with Front Screwlock**  
**RM8**



**Clear Hole**  
**Blank**



**Rear Insert Threaded**  
**H or G**

## How to order

**L ... TS ... C309**

RoHS Compliant	
gold flash	77: tinned shell for receptable 717: tinned shell + dimples for plug
0.4µm (15µ")	177: tinned shell for receptable 777: tinned shell + dimples for plug
shell size	E, A, B, C
<b>mounting options</b>	<b>Blank</b> = Clear Hole <b>G</b> = M3 <b>H</b> = 4-40 <b>H,G</b> must also be used to specify the threading of RM5 or RM8 grounding tabs
<b>configuration</b>	<b>09, 15, 25, 37</b>

**plating option valid only for 0.76µm (30µ")**

part numbers to be written as follow:

77.....C309  
or  
717.....C309

**board mounting options**

**Blank** = Clear Hole  
**RM5** = boardlock  
**RM8** = boardlock + front screwlock

**termination**

**OL2** : L = 6.02mm (.237")  
**OL2C** : L = 11.48mm (.452")

**contact type**

**P** = pin  
**S** = socket

Example: L77 TS E H 09 S OL2 RM5  
L717 TS E H 09 P OL2 RM8 C309

**For special request, please consult factory**

