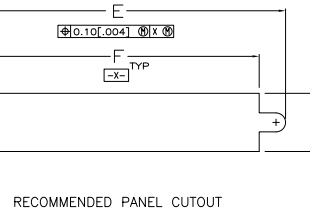
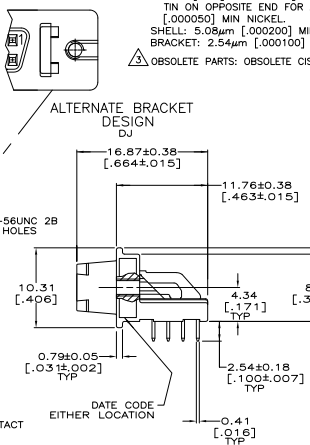
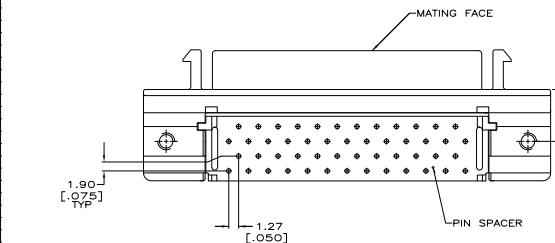
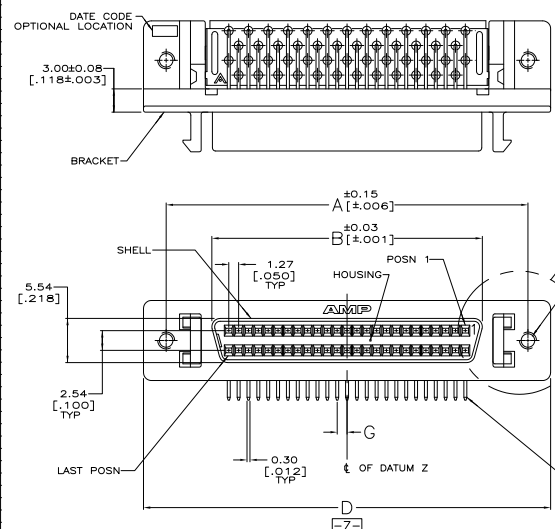


REV	DATE	DESCRIPTION	BY	CHK	APP
00					
01		REVISED PER EDD-11-004835			

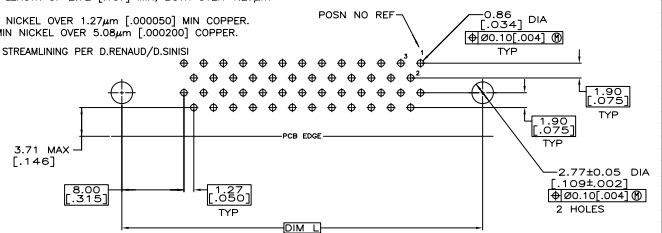


CONTACTS: PHOSPHOR BRONZE
 HOUSING & PIN SPACER: UL 94V-0 RATED, THERMOPLASTIC, BLACK
 BRACKET: ZINC
 SHELL: CARBON STEEL

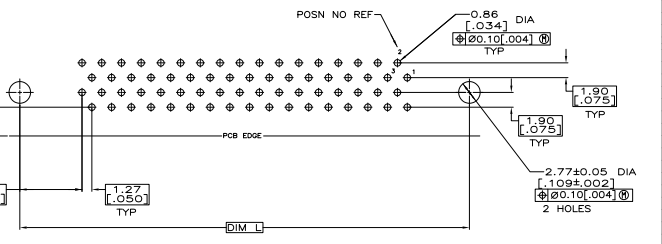
CONTACTS: EITHER 0.76µm [0.00030] MIN GOLD PLATE FOR A LENGTH OF 0.64 [0.025] MAX, 0.13 [0.005] MIN FROM MATING END OR GOLD FLASH OVER PALLADIUM NICKEL PLATE, 0.76µm [0.00030] MIN TOTAL FOR A LENGTH OF 0.64 [0.025] MAX, 0.13 [0.005] MIN FROM MATING END, 3.81µm [0.000150] MIN TIN ON OPPOSITE END FOR A LENGTH OF 2.72 [1.107] MIN, BOTH OVER 1.27µm [0.00050] MIN NICKEL.

SHELL: 5.08µm [0.000200] MIN NICKEL OVER 1.27µm [0.00050] MIN COPPER.
 BRACKET: 2.54µm [0.000100] MIN NICKEL OVER 5.08µm [0.000200] COPPER.

OBsolete PARTS: OBSOLETE CIS STREAMLINING PER D.RENAUD/D.SINISI



P.C. BOARD MOUNTING DIMENSIONS
 CONNECTOR SIDE
 P.C. BOARD THICKNESS 1.57±0.20 [0.062±0.008]
 PC BOARD PATTERN S



P.C. BOARD MOUNTING DIMENSIONS
 CONNECTOR SIDE
 P.C. BOARD THICKNESS 1.57±0.20 [0.062±0.008]
 PC BOARD PATTERN T

PC BOARD PATTERN	L	G	F	E	D	B	A	NO OF POSN	PART NUMBER
3	78.23 [3.080]	0.64 [0.025]	74.55 [2.935]	80.67 [3.176]	84.20 [3.315]	66.45 [2.616]	78.23 [3.080]	100	5787394-9
			65.53 [2.580]	61.85 [2.435]	67.97 [2.676]	71.50 [2.815]	53.75 [2.116]	65.53 [2.580]	80
T	57.91 [2.280]	0.64 [0.025]	54.23 [2.135]	60.35 [2.376]	63.88 [2.515]	46.13 [1.816]	57.91 [2.280]	68	5787394-7
			46.48 [1.830]	42.80 [1.685]	48.92 [1.926]	52.45 [2.065]	34.70 [1.366]	46.48 [1.830]	50
S	32.51 [1.280]	0.64 [0.025]	28.83 [1.135]	34.95 [1.376]	38.48 [1.515]	20.73 [0.816]	32.51 [1.280]	28	5787394-3
			31.24 [1.230]	27.56 [1.085]	33.68 [1.326]	37.21 [1.465]	19.46 [0.766]	31.24 [1.230]	26

THIS DRAWING IS A CONTROLLED DOCUMENT. SEE THE QUALITY MANAGEMENT SYSTEM FOR DETAILS.

RECEPTACLE ASSEMBLY, SHIELDED, 108-1228, RIGHT ANGLE, 000 SERIES AMPLIMITE

DATE: 11-14-0029
 DRAWING NO: 100779
 CUSTOMER DRAWING: 5787394