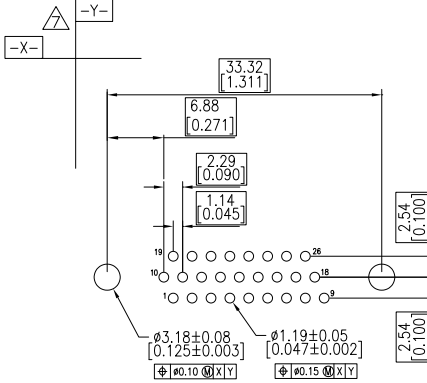
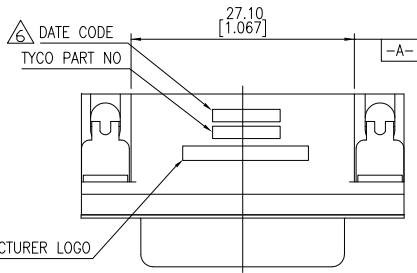
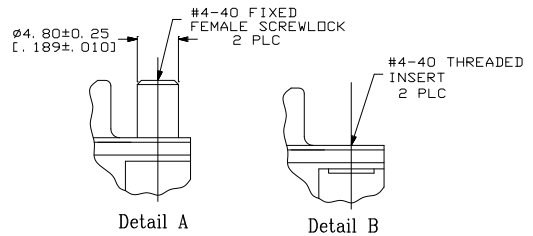
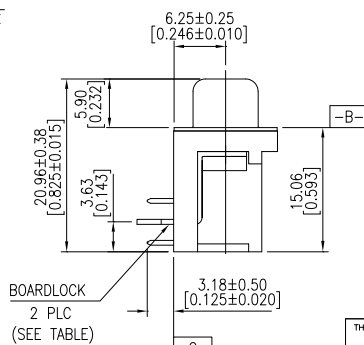
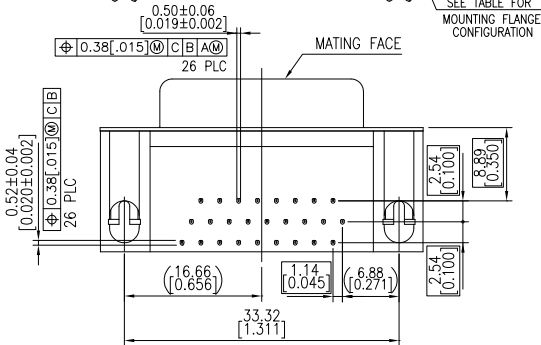
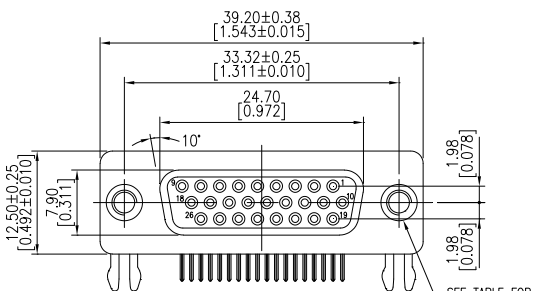


THIS DRAWING IS UNPUBLISHED. RELEASED FOR PUBLICATION. ALL RIGHTS RESERVED.

LOC	DIST	REVISIONS					
GP	00	F	LR	DESCRIPTION	DATE	BY	APP
		D1		REVISED PER ECO-11-004835	11MAR11	RLK	HMR



- HOUSING: PBT, 30% GF POLYESTER, UL 94V-0 RATED, COLOR BLACK.
 - CONTACTS: PHOSPHOR BRONZE, GOLD PLATE IN MATING AREA (SEE TABLE), 120µ" MIN TIN PLATE ON SOLDER TAIL, BOTH OVER 50µ" MIN NICKEL UNDERPLATE.
 - SHELL: STEEL, NICKEL PLATE.
 - BOARDLOCK: BRASS, TIN PLATE 100µ" MIN.
 - FEMALE SCREWLOCK: BRASS, NICKEL PLATE 30µ" MIN.
 - FOUR DIGIT DATE CODE IN THIS FORMAT:
YEAR 01 45
MANUFACTURING WEEK
- DATUMS -X- & -Y- TO BE ESTABLISHED BY CUSTOMER.



OBSOLETE	NO	Tray	Detail B	Gold flash	2-5748481-7
OBSOLETE	NO	Tray	Detail B	15µ" MIN GOLD	2-5748481-6
OBSOLETE	YES	Tray	Detail A	Gold flash	2-5748481-5
OBSOLETE	YES	Tray	Detail A	15µ" MIN GOLD	2-5748481-4
OBSOLETE	YES	Tray	Detail B	Gold flash	2-5748481-3
OBSOLETE	YES	Tray	Detail B	15µ" MIN GOLD	2-5748481-2
	NO	Tray	Detail B	30µ" MIN GOLD	1-5748481-9
	YES	Tray	Detail A	30µ" MIN GOLD	5748481-6
	YES	Tray	Detail B	30µ" MIN GOLD	5748481-5

BOARDLOCK Packaging Mounting Flange Contact Mating Area Finish Part No

5748481-5, 2--2, & 2--3 SHOWN

THIS DRAWING IS A CONTROLLED DOCUMENT.		DR: RICHARDSON 31MAY05	TE Connectivity	
DIMENSIONS: mm [INCHES]		CHK: S. BOLASH 31MAY05	TE Connectivity	
TOLERANCES UNLESS OTHERWISE SPECIFIED:		APP: M. MALMSLEY 31MAY05	AMPLITE HD-22	
0 PLC ± 0.30		PRODUCT SPEC:	26 POS RECEPTACLE, RIGHT ANGLE	
1 PLC ± 0.30		APPLICATION SPEC:	SIZE: A2	CAGE CODE: 00779
2 PLC ± 0.30		WEIGHT:	DRAWING NO: C-5748481	RESTRICTED TO:
3 PLC ± 0.10		ANGLES:	SCALE: 1:1	SHEET: 1 of 1
MATERIAL:	FINISH:	CUSTOMER DRAWING	REV: D1	