

4

3

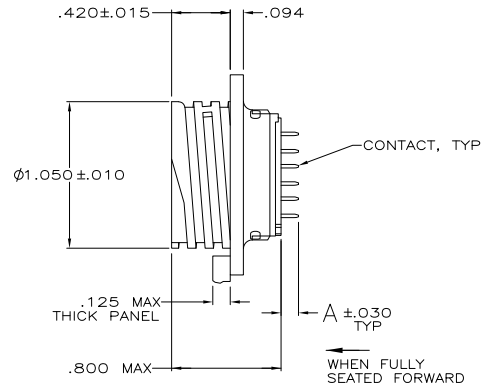
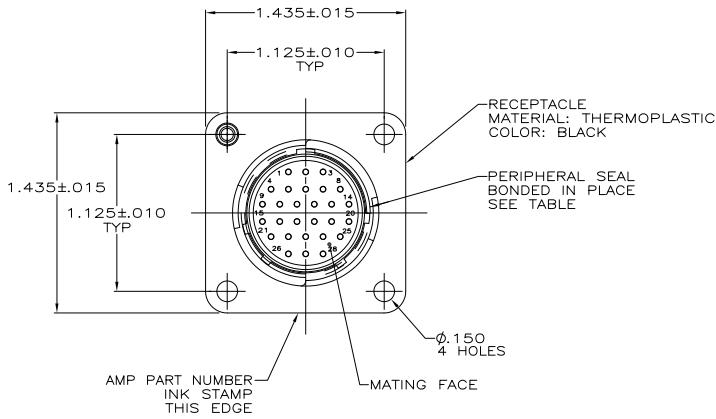
2

1

THIS DRAWING IS UNPUBLISHED. RELEASED FOR PUBLICATION  
 © COPYRIGHT BY TYCO ELECTRONICS CORPORATION. ALL RIGHTS RESERVED.

LOC		DIBT		REVISIONS			
FT	0	P	LR	DESCRIPTION	DATE	MIN	APD
		K		REVISED PER ECO-07-009992	4/30/07	SS	SH

- CONTACT CAVITIES IDENTIFIED BY CHARACTERS ON FRONT FACE OF CONNECTOR.
- $\Delta$  .000030 MIN GOLD FOR A LENGTH OF .100 MIN FROM MATING END, .000100 MIN TIN-LEAD FOR A LENGTH OF "A" MIN FROM OPPOSITE END, ALL OVER .000050 MIN NICKEL.
- RECOMMENDED HOLE SIZE .047 DIA FOR P.C. BOARD.
- $\Delta$  .000030 MIN GOLD FOR A LENGTH OF .100 MIN FROM MATING END, .000100 MIN TIN FOR A LENGTH OF "A" MIN FROM OPPOSITE END, ALL OVER .000050 MIN NICKEL.



$\Delta$	NO	YES	.125	1-207369-4
$\Delta$	NO	NO	.352	1-207369-3
$\Delta$	NO	NO	.125	1-207369-1
$\Delta$	YES	YES	.796	207369-5
$\Delta$	NO	YES	.125	207369-4
$\Delta$	NO	NO	.352	207369-3
<del><math>\Delta</math></del>	NO	NO	-	207369-2
<del><math>\Delta</math></del>	NO	NO	.125	207369-1
CONTACT FINISH	PERIPHERAL SEAL	THREADED INSERT	DIM A	PART NUMBER

THIS DRAWING IS A CONTROLLED DOCUMENT.		DATE: 5-22-91	Tyco Electronics Corporation	
DESIGNER: J. GALLUCCI, BG		DATE: 4-14-92	Harrisburg, Pa 17105-3608	
CHECKER: W. G. LENKER		DATE: 4-14-92	Tyco Electronics	
DRAWN: K. BEAVER		DATE: 4-14-92	RECEPTACLE ASSEMBLY, POSTED, STD SEX, SERIES 2, 17-28, CPC	
PART NUMBER: 108-10024		APPLICATION SPEC: -	SIZE: A2	CAGE CODE: 00779
MATERIAL: SEE CALLOUT		FINISH: -	WEIGHT: -	HEIGHT: -
CUSTOMER DRAWING		SCALE: 2:1	SHEET: 1 OF 1	REV: K

AMP 1471-9 REV 31MM2000

207369

A