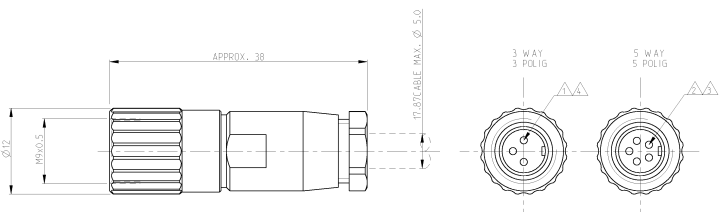
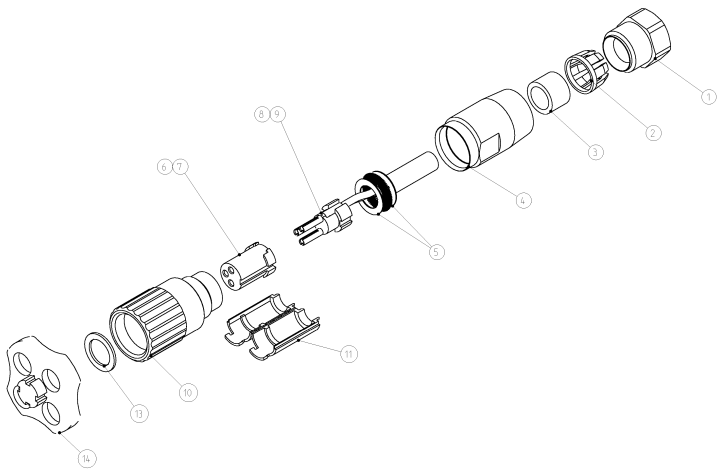


REV.	DATE	DESCRIPTION	BY	CHK.
A1	17	REVISED		
A1	17	REVISED		
A2		NOTES CHANGED		

MATERIAL / MATERIAL: PBT, UL-94 V2	△
SHELL MATERIAL / GEHAUSEMATERIAL: BRASS/MESSING	
FINISH / BESCHÜFTUNG: TRIBOR, 4 µm	
WIRE GAGE / DRAHTGRÖSSE IN mm <sup>2</sup> : 0.5	△
WIRE GAGE / DRAHTGRÖSSE IN mm <sup>2</sup> : 0.14 OR 0.25	△
CRIMP CONTACT / CRIMP KONTAKT: SEE PN 5-1437720-7	△
CRIMP CONTACT / CRIMP KONTAKT: SEE PN 5-1437720-6	△
SHELL PROTECTION CLASS / SCHUTZKLASSE: IP 65 / DIN 40050	
TEST VOLTAGE / PRUEFSPANNUNG: 500 VAC	
OPERATING VOLTAGE / BETRIEBSSPANNUNG: 60 VAC	
OPERATING TEMPERATURE: -40°C TO +80°C / ARBEITSTEMPERATUR: -40°C BIS +80°C	
MATING CYCLES / STECKZYKLEN: 500 MAX.	
TECHNICAL DATA / TECHNISCHE DATEN	



△ CONTACTS OF TYPE TYCO-PN: 5-1437720-6/101-0540-503 MUST BE ORDERED SEPARATELY  
KONTAKTE DES TYPUS TYCO-PN: 5-1437720-6/101-0540-503 MUESSEN SEPARAT BESTELLT WERDEN

△ CONTACTS OF TYPE TYCO-PN: 5-1437720-7/101-0540-505 MUST BE ORDERED SEPARATELY  
KONTAKTE DES TYPUS TYCO-PN: 5-1437720-7/101-0540-505 MUESSEN SEPARAT BESTELLT WERDEN

TYCO-NO. / TYCO NR.	QTY	DESCRIPTION / BESCHREIBUNG	ITEM-NO. / TEIL-NR.
1-1437719-4	1	MOUNTING WRENCH / MONTAGESCHLUESSEL	14
1-1437719-3	1	SEALING PAD / GUMMIDICHTUNG	13
	1	MOUNTING INSTRUCTION / MONTAGEANLEITUNG	12
	1	INSULATION TUBE / ISOLIERHUELSE	11
	1	SCREWING TUBE / SCHRAUBHUELSE	10
	1	CONTACT HOLDER 5 WAY / STIFTHALTER 5 POLIG	9
	1	CONTACT HOLDER 3 WAY / STIFTHALTER 3 POLIG	8
	1	CONTACT CARRIER 5 WAY / STIFTTRAEGER 5 POLIG	7
	1	CONTACT CARRIER 3 WAY / STIFTTRAEGER 3 POLIG	6
	2	GROUNDING PLATE FOR 360° SHIELDING CONNECTION / MASSESCHIEBE FUER 360° ABSCHIRMUNG	5
	1	HOUSING / GEHAUSE	4
	1	CABLE SEALING / KABELDICHTUNG	3
	1	STRAIN RELIEF / ZUGENTLASTUNGSKRONE	2
	1	STRAIN RELIEF NUT / ZUGENTLASTUNGSMUTTER	1
	-	REVISION OF EACH ASSY NO. (WHEN BLANK, USE DWG REV.)	
TYCO-NO. / TYCO NR.	QTY REQD PER ASSY	DESCRIPTION / BESCHREIBUNG	ITEM-NO. / TEIL-NR.
101-0540-505			
101-0540-503			
		PARTS LIST / TEILE LISTE	

1-1437719-4	100 PLUG CONNECTORS / STECKVERBINDER COMPONENT PARTS PACKAGED PER 100	100 EACH/100 AMP 60V B - 60V 60Amp
1-1437719-3	100 PLUG CONNECTOR / STECKVERBINDER COMPONENT PARTS PACKAGED PER 100	101 FEMALE PLUG CONNECTOR CRIMP, 3-5 POS. 101 BUCHSENTECHER CRIMPV, 3-5 POLIG
TYCO-NO. / TYCO-NR.	ORDER QUANTITY / BESTELLMENGE	