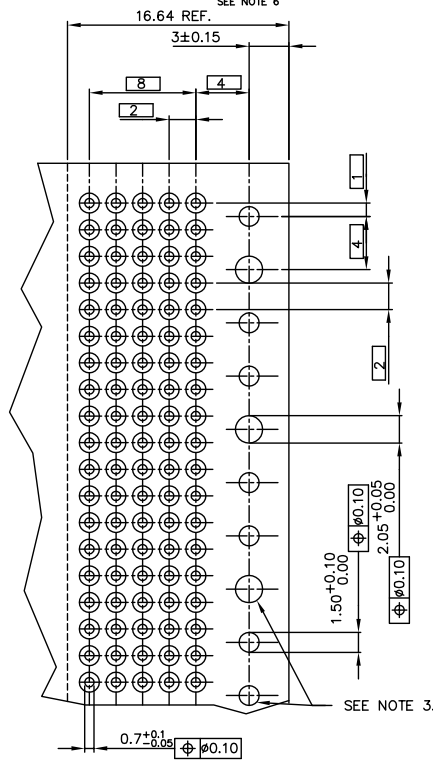
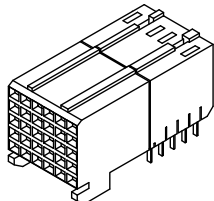
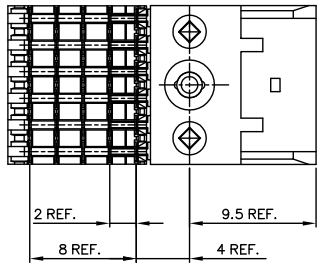
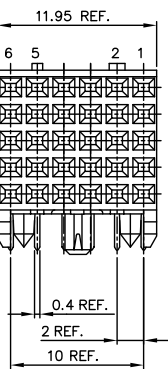
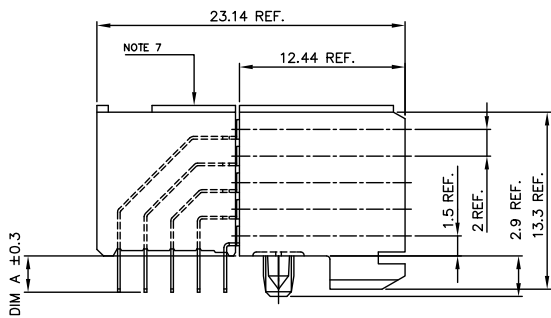


PC BOARD VERSIONS		
PRODUCT NR.	PCB THICKNESS	DIM A
85863-X02/X02LF	1.6	2.90
85863-X12/X12LF	2.4	3.53

PLATING CONTACT AREA:	
DASH NR:	PERFORMANCE LEVEL:
-1YY/1YYLF	TELCORDIA CO
-2YY/2YYLF	CUSTOMER SPECIAL
-3YY/3YYLF	CUSTOMER SPECIAL



- NOTES:
- 1 BODY MAT'L: LIQUID CRYSTAL POLYMER 30% GLASS FLAME RETARDANT ACC. UL 94-V0
  - 2 TERMINAL MATERIAL: PHOSPHOR BRONZE.
  - 3 INDICATED HOLES ARE UNPLATED.
  - 4 For PLATING SPEC, REFER TO DRAWING 10097866. 85863-XXY IS SnPb, 85863-XXYLF IS Sn (LEED FREE)
  - 5 PRODUCT MARKING: PART NUMBER & BATCH ID.
  - 6 SET BACK FOR TAIL BLOCK
  - 7 TOP SURFACE OF PRESS BLOCK MAY EXTEND UP TO 0.4MM HIGHER THAN HOUSING. THIS MAY AFFECT THE TAIL LENGTH BEFORE APPLICATION TO A BOARD.
  - 8 THIS PRODUCT MEETS EUROPEAN UNION DIRECTIVES AND OTHER COUNTRY REGULATIONS AS DESCRIBED IN GS-22-008
  - 9 THE HOUSING WILL WITHSTAND EXPOSURE TO 260DEGREE PEAK TEMPERATURE FOR 10 SECONDS IN A WAVE SOLDER APPLICATION.

RECOMMENDED HOLE PATTERN, COMPONENT SIDE.

mat'l. code	SEE NOTE	Tolerances unless otherwise specified	CUSTOMER COPY	FG ELECTRONICS	
litr	ech no	dr	date	projection	title
A	1440827	RVI	941005	linear	5 ROW R.A. S.T.B. SIGNAL RECEPT. 12 mm MOD.PP
B	V00576	LLA	000318		product family
C	V00850	GNV	000012	angles	METRICAL (mm)
D	0004-0104	CLU	041222	dr	R. VISSCHERS
E	0007-0068	Cent	05/15/07	trng	E. FEJEN
F	0008-0118	Cent	05/14/08	chr	E. FEJEN
G	0009-0068	Cent	03/03/09	ppp	E. FEJEN
sheet index	revision	G		scale	5:1
	sheet	1		A2	85863
					code
					213
					sheet
					1 of 1