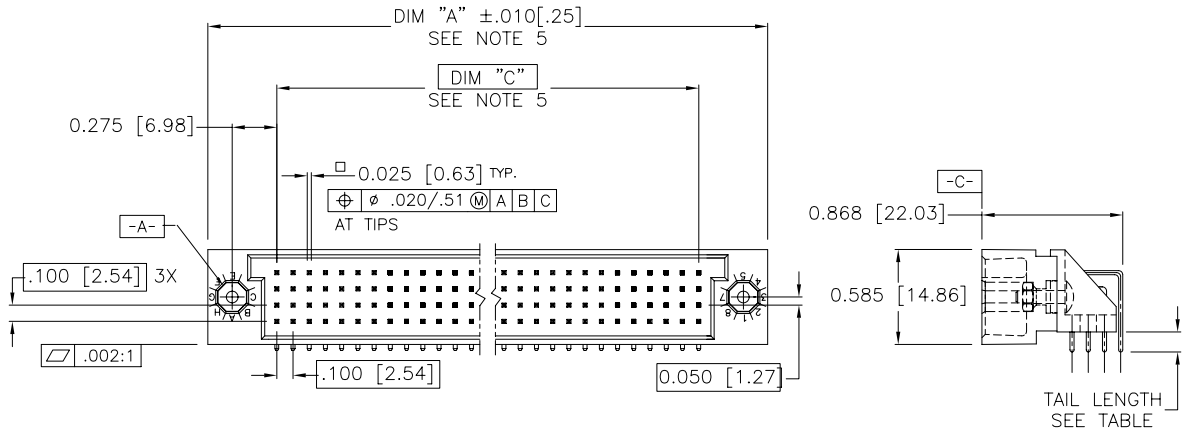
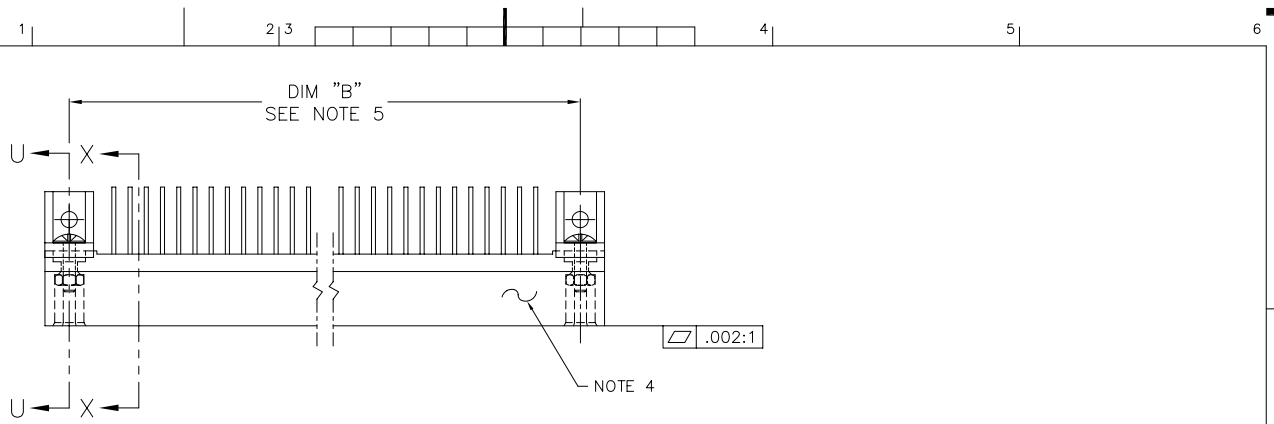
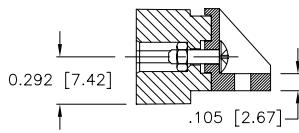


PRODUCT NUMBER
SEE TABLE

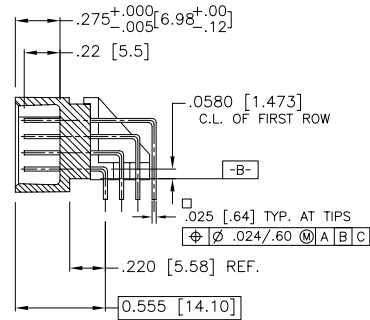


mat'l. code SEE NOTE 3	surface ISO 1302	tolerance ISO 406 ISO 1101	projection INCH/MM scale 1:1	product family HPC
ltr J V90523 HTB 3/1/99	angles	tolerances unless otherwise specified _XX±.01/3	FCJ	title 4 ROW R/A HEADER SOLDER TO BOARD, 0 G.P.
ecn no K V00262 JWS 1/26/00	linear	.XXX±.005/.13		
date L V05-0740 DAL 10/7/05	0°±2'	XXXX±.0020/.05		
dr M V05-1040 HTB 11/14/05	D.SHEAFFER	6/5/91		
enfr N M06-0283 MHT 7/27/06	S.CLARK	6/5/91	sheet 1 of 3	size A3
chr appd	S.CLARK	6/5/91	50122	type Product Customer Drawing
sheet index	revision sheet	N 1 2 3		

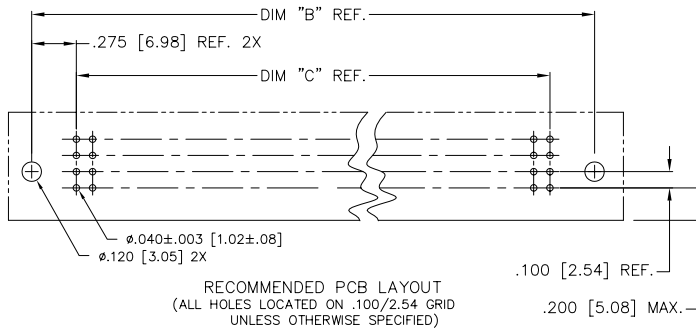
PRODUCT NO.
SEE TABLE



SECTION U-U



SECTION X-X



mat'l. code SEE NOTE 3	surface ISO 1302	tolerance ISO 406 ISO 1101	projection INCH/MM	product family HPC
ltr N	ecn N	no N	dr D.SHAFFER	date 6/5/91
tolerances unless otherwise specified angles linear $0^{\circ} \pm 2'$			title 4 ROW R/A HEADER SOLDER TO BOARD, 0 G.P. scale 1:1 	title HPC title 4 ROW R/A HEADER SOLDER TO BOARD, 0 G.P. dwg no 50122 type Product Customer Drawing
enfr S.CLARK	chr S.CLARK	appd S.CLARK	6/5/91	6/5/91
sheet index	revision sheet			

PDM: Rev:N STATUS:Released Printed: Feb 06, 2010

PRODUCT NUMBER	NUMBER OF POSITIONS SEE NOTE 2	TAIL LENGTH REF.	TERMINAL PLATING
50122-1YYYH	YYY	.180/4.57	30μ"/.76μ GOLD
50122-1YYYJ	YYY	.120/3.05	30μ"/.76μ GOLD
50122-3YYYH	YYY	.180/4.57	50μ"/1.27μ GOLD
50122-3YYYJ	YYY	.120/3.05	50μ"/1.27μ GOLD
50122-5YYYH	YYY	.180/4.57	30μ"/.76μ GXT
50122-5YYYHLF	YYY	.180/4.57	30μ"/.76μ GXT
50122-5YYYJ	YYY	.120/3.05	30μ"/.76μ GXT
50122-5YYYJLF	YYY	.120/3.05	30μ"/.76μ GXT


NOTES:

1. PRODUCT NUMBERING CODE:
 50122 - X YYY Z LF
 LEAD FREE (OPTIONAL)
 TAIL LENGTH SEE TABLE
 NO. OF POSITIONS SEE NOTE 2
 PLATING SEE TABLE
 BASE NUMBER

- PRODUCT NUMBERING CODE FOR
 SELECT LOAD PART NUMBERS:
 50122 - XXYYY LF
 LEAD FREE (OPTIONAL)
 SEQUENCE NUMBER
 ALWAYS 'XX'
 BASE NUMBER

2. THIS PRODUCT IS CONFIGURED IN SIZES OF 6 THRU 100 COLUMNS IN INCREMENTS OF ONE. I.E.: 6,7,8,9,.....98,99,100.
3. HOUSING MATERIAL: GLASS AND MINERAL FILLED HIGH TEMP. THERMOPLASTIC. FLAME RETARDANT PER UL94V-0. COLOR: BLACK.
 PIN MATERIAL: PHOS. BRONZE
4. MANUFACTURE'S NAME, P/N, AND LOT CODE TO APPEAR ON THIS SURFACE PER BUS-12-108.
5. LENGTH FORMULAS:
 DIM "A" = .100/2.54 x NO. OF COLUMNS + .75/19.1
 DIM "B" = .100/2.54 x NO. OF COLUMNS + .450/11.43
 DIM "C" = .100/2.54 x NO. OF COLUMNS - .100/2.54

6. THIS PRODUCT (WITH "LF" SUFFIX) MEETS EUROPEAN UNION DIRECTIVES AND OTHER COUNTRY REGULATIONS AS DESCRIBED IN GS-22-008.
7. THIS HOUSING WILL WITHSTAND EXPOSURE TO 260° C PEAK TEMPERATURE FOR 10-30 SECONDS IN A CONVECTION, INFRA-RED OR VAPOR PHASE REFLOW OVEN.

mat'l. code SEE NOTE 3	surface ISO 1302	tolerance ISO 406 ISO 1101	projection	product family HPC
ltr N	ecn	no dr	date	title 4 ROW R/A HEADER SOLDER TO BOARD, 0 G.P.
tolerances unless otherwise specified		angles 0°±2'	linear _XX±.01/3 _XXX±.005/13 _XXXX±.0020/.05	INCH/MM scale 1:1
dr	D.SHEAFFER	6/5/91		
enfr	S.CLARK	6/5/91		
chr	S.CLARK	6/5/91		
appd	S.CLARK	6/5/91	sheet 3 of 3 size A3 50122 type Product Customer Drawing	
sheet index	revision sheet			