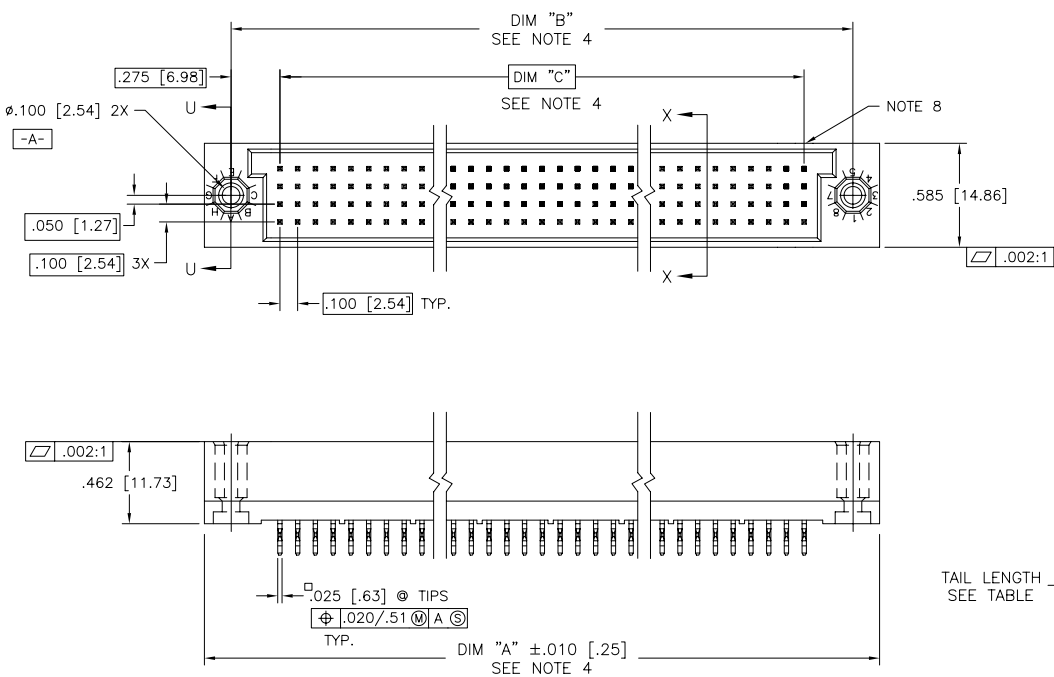


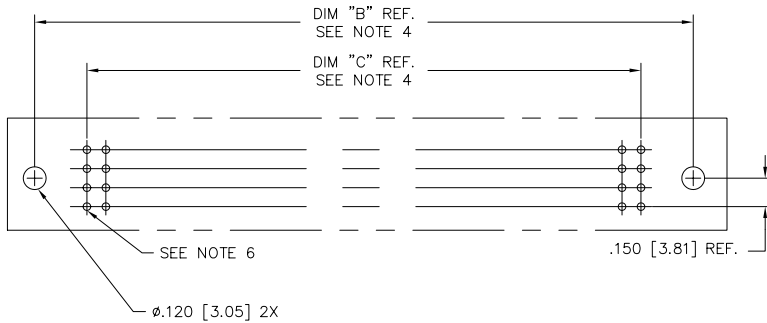
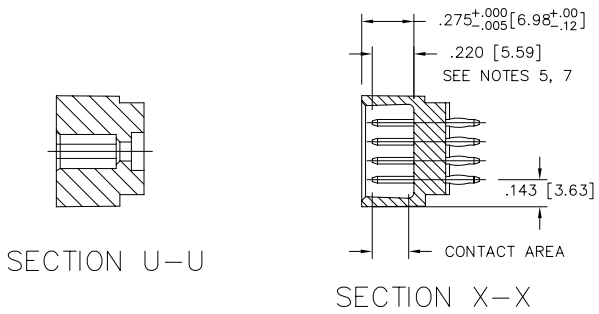
PRODUCT NUMBER  
SEE TABLE AND NOTES 1 & 2 ONSHEET 3



mat'l. code SEE NOTE 3	surface ISO 1302 ✓	tolerance ISO 406 ISO 1101	projection INCH/MM	product family HPC
itr v81411 DLW 8/20/98	tolerances unless otherwise specified	angles linear .XXX±.01/3	scale 1:1	title 4 ROW VERTICAL HEADER W/PRESS-FIT PINS, 0 G.P.
K v82253 HTB 12/29/98	∅±2'	linear .XXX±.005/.13	FCI	dwg no 50009
L v00271 JWS 1/31/00	dr	linear .XXXX±.0020/.051		sheet 1 of 9 size A3
M v05-0612 DCH 6/29/05	dr	D.HORCHLER 6/29/05		type Product Customer Drawing
N v05-0999 DAI 10/29/05	engr	D.HORCHLER 6/29/05		
P w06-0283 MHT 7/27/06	chr	T.BREWBAKER 7/5/05		
R w06-0447 AGS 11/07/06	appd	D.HORCHLER 7/5/05		
sheet index	revision	R R R R R R R R R	R	
	sheet	1 2 3 4 5 6 7 8	9	

PDM: Rev:R STATUS:Released Printed: Feb 09, 2010

PRODUCT NO.  
SEE TABLE



RECOMMENDED PCB LAYOUT  
(ALL HOLES LOCATED ON .100/2.54 GRID  
UNLESS OTHERWISE SPECIFIED)

mat'l. code SEE NOTE 3	surface ISO 1302 ✓	tolerance ISO 406 ISO 1101	projection INCH/MM	product family HPC
ltr R	ecn no	dr date	angles linear	title 4 ROW VERTICAL HEADER W/PRESS-FIT PINS, 0 G.P.
			scale 1:1	dwg no 50009
		dr D.HORCHLER 6/29/05		sheet 2 of 9 size A3
		enfr D.HORCHLER 6/29/05		type Product Customer Drawing
		chr T.BREWBAKER 7/5/05		
		appd D.HORCHLER 7/5/05		
sheet index	revision sheet			

PRODUCT NO. NOTE 11	NUMBER OF POSITIONS	TAIL LENGTH ±.015/-.38	CONTACT PLATING
50009-1YYYA	YYY	.177/4.50	30μ"/.76μ Au
50009-1YYC	YYY	.533/13.54	30μ"/.76μ Au
50009-1YYD	YYY	.733/18.62	30μ"/.76μ Au
50009-1YYG	YYY	.250/6.35	30μ"/.76μ Au
50009-1YYL	YYY	.188/4.78	30μ"/.76μ Au
50009-1YYP	YYY	.470/11.94	30μ"/.76μ Au
50009-1YYR	YYY	.250/6.35	30μ"/.76μ Au
50009-3YYA	YYY	.177/4.50	50μ"/1.27μ Au
50009-3YYC	YYY	.533/13.54	50μ"/1.27μ Au
50009-3YYD	YYY	.733/18.62	50μ"/1.27μ Au
50009-3YYG	YYY	.250/6.35	50μ"/1.27μ Au
50009-3YYL	YYY	.188/4.78	50μ"/1.27μ Au
50009-3YYP	YYY	.470/11.94	50μ"/1.27μ Au
50009-3YYR	YYY	.250/6.35	50μ"/1.27μ Au
50009-5YYA	YYY	.177/4.50	30μ"/.76μ GXT
50009-5YYC	YYY	.533/13.54	30μ"/.76μ GXT
50009-5YYD	YYY	.733/18.62	30μ"/.76μ GXT
50009-5YYG	YYY	.250/6.35	30μ"/.76μ GXT
50009-5YYL	YYY	.188/4.78	30μ"/.76μ GXT
50009-5YYP	YYY	.470/11.94	30μ"/.76μ GXT
50009-5YYR	YYY	.250/6.35	30μ"/.76μ GXT
50009-XX005	100	.177/4.50	50μ"/1.27μ Au
50009-XX034	300	.533/13.54	30μ"/.76μ GXT
50009-XX067	100	.177/4.50	50μ"/1.27μ Au
50009-XX076	200	.177/4.50	30μ"/.76μ Au
50009-XX124	140	.603/15.32	50μ"/1.27μ Au
50009-XX187	400	SEE SHT 9	30μ"/.76μ Au

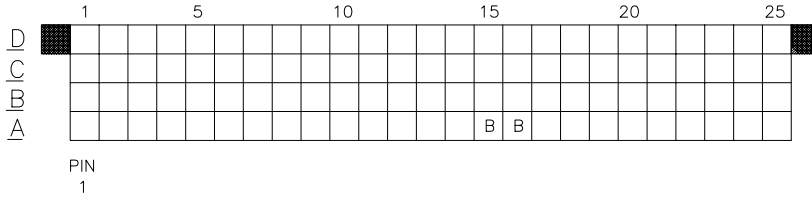
SHT 4  
SHT 5  
SHT 6  
SHT 7  
SHT 8  
SHT 9

NOTES:

- ① PRODUCT NUMBERING CODE:  
50009 - X YYY Z LF  
 X: LEAD FREE OPTION  
 YYY: TAIL LENGTH, SEE TABLE  
 Z: NO. OF POSITIONS SEE NOTE 2  
 LF: PLATING IN CONTACT AREA SEE TABLE  
 BASE NUMBER
- PRODUCT NUMBERING CODE FOR  
SELECT LOAD PART NUMBERS:  
50009 - XXYYY LF  
 XX: LEAD FREE OPTION  
 YYY: SEQUENCE NUMBER  
 ALWAYS 'XX'  
 BASE NUMBER
- ② THIS PRODUCT IS CONFIGURED IN SIZES OF 6 thru 100 COLUMNS IN INCREMENTS OF ONE. i.e.: 6,7,8,9,.....99,100.
- ③ HOUSING MATERIAL: GLASS AND MINERAL FILLED HIGH TEMP. THERMOPLASTIC. FLAME RETARDANT PER UL94V-0. COLOR: BLACK. PIN MATERIAL: PHOS BRONZE
- ④ LENGTH CALCULATIONS:  
 DIMENSION "A" = .100/2.54 x NO. OF COLUMNS + .75/19.1  
 DIMENSION "B" = .100/2.54 x NO. OF COLUMNS + .450/11.43  
 DIMENSION "C" = .100/2.54 x NO. OF COLUMNS - .100/2.54
- ⑤ REFERENCE 50807 FOR F.M.L.B. AVAILABLE OPTIONS. SEE SHEETS 4-9. AND WORKSHEET.
- ⑥ φ.0453/1.151 DRILLED HOLE PLATED WITH .0003/.007 MIN. Sn/Pb OVER .001/.03 to .003/.08 Cu. PLATING TO ACHIEVE A φ.040±.003/1.02±.08 HOLE.
- ⑦ TO ASSURE PROPER INSTALLATION: TOOLING, AS SPECIFIED IN INSTRUCTION MANUAL 155915-001 MUST BE USED. PIN MATING LENGTH WILL BE ±.002/.05 AFTER INSTALLATION.
- ⑧ COMPANY NAME, PART NUMBER AND LOT CODE TO APPEAR ON THIS SURFACE PER BUS-12-108.
9. PRODUCT WITH "LF" SUFFIX MEETS EUROPEAN UNION DIRECTIVES AND OTHER COUNTRY REGULATIONS AS DESCRIBED IN GS-22-008.
10. THIS PRODUCT IS NOT INTENDED TO BE EXPOSED TO A MANUFACTURING SOLDER PROCESS. HOWEVER, THE HOUSING MATERIAL WILL WITHSTAND HEAT UP TO THE 260° C.
- ⑩ ADD LF SUFFIX AT THE END OF PART NUMBER FOR LEAD FREE OPTION.

mat'l. code SEE NOTE 3	surface ISO 1302 ✓	tolerance ISO 406 ISO 1101	projection	product family HPC
ltr ecn no dr date	tolerances unless otherwise specified		title	
R	angles	linear	INCH/MM	4 ROW VERTICAL HEADER
	0°±2'	.xxx±.005/.13	scale 1:1	W/PRESS-FIT PINS, 0 G.P.
	dr	D.HORCHLER 6/29/05	FCJ	dwg no 50009 sheet 3 of 9 size A3
	engr	D.HORCHLER 6/29/05		type Product Customer Drawing
	chr	T.BREWBAKER 7/5/05		
	appd	D.HORCHLER 7/5/05		
sheet index	revision sheet			

PRODUCT NO.	ITEM KEY	SIGNAL DATA			
		SIZE 4 x 25	TOTAL NO. OF POSITIONS - 100	NO. OF POSITIONS LOADED - 100	
		PRESS FIT STYLE			
		PLATING	QTY.	MATING LENGTH	TAIL LENGTH
50009-XX005	A	SEE SHEET 3	98	.220 / 5.59	.177 / 4.50
	B	SEE SHEET 3	2	.260 / 6.60	.177 / 4.50
50009-XX005LF	A	SEE SHEET 3	98	.220 / 5.59	.177 / 4.50
	B	SEE SHEET 3	2	.260 / 6.60	.177 / 4.50



- ALL POSITIONS ARE LOADED WITH "A", EXCEPT AS SHOWN.
- COLUMN 1, ROW A IS DESIGNATED AS SIGNAL PIN 1, AS VIEWED FROM THE MATING FACE.

mat'l. code SEE NOTE 3	surface ISO 1302 ✓	tolerance ISO 406 ISO 1101	projection INCH/MM	product family HPC
ltr R	ecn no	dr date	angles linear	title 4 ROW VERTICAL HEADER W/PRESS-FIT PINS, 0 G.P.
			scale 1:1	dwg no 50009
		dr D.HORCHLER 6/29/05	FCJ	sheet 4 of 9 size A3
		enfr D.HORCHLER 6/29/05		type Product Customer Drawing
		chr T.BREWBAKER 7/5/05		
sheet index	revision sheet	appd D.HORCHLER 7/5/05		

PDM: Rev:R STATUS:Released Printed: Feb 09, 2010

PRODUCT NO.	ITEM KEY	SIGNAL DATA			
		SIZE 4 x 75	TOTAL NO. OF POSITIONS - 300	NO. OF POSITIONS LOADED - 300	
		PLATING	QTY.	PRESS FIT STYLE	
				MATING LENGTH	TAIL LENGTH
50009-XX034	A	SEE SHEET 3	260	.180 / 4.57	.533 / 13.54
	B	SEE SHEET 3	40	.220 / 5.59	.533 / 13.54
50009-XX034LF	A	SEE SHEET 3	260	.180 / 4.57	.533 / 13.54
	B	SEE SHEET 3	40	.220 / 5.59	.533 / 13.54

		1		5		10		15		20		25		30		35		40	
D	B	B	B													B	B		B
C	B	B	B													B	B		B
B	B	B														B	B		B
A	B	B	B													B	B		B

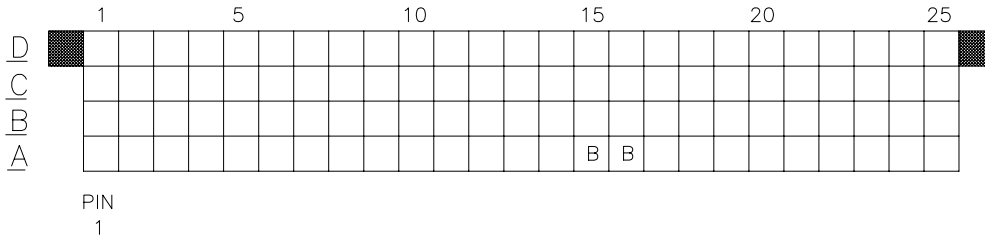
PIN  
1

		41		45		50		55		60		65		70		75		
B																B	B	B
B																B	B	B
B																B	B	B
B																B	B	B

- ALL POSITIONS ARE LOADED WITH "A", EXCEPT AS SHOWN.
- COLUMN 1, ROW A IS DESIGNATED AS SIGNAL PIN 1, AS VIEWED FROM THE MATING FACE.

mat'l. code SEE NOTE 3	surface ISO 1302 ✓	tolerance ISO 406 ISO 1101	projection INCH/MM	product family HPC
ltr R	ecn no	dr date	angles linear	title 4 ROW VERTICAL HEADER W/PRESS-FIT PINS, 0 G.P.
			scale 1:1	dwg no 50009
		dr D.HORCHLER 6/29/05		sheet 5 of 9 size A3
		enrg D.HORCHLER 6/29/05		type Product Customer Drawing
		chr T.BREWBAKER 7/5/05		
		appd D.HORCHLER 7/5/05		
sheet index	revision sheet			

PRODUCT NO.	ITEM KEY	SIGNAL DATA		
		SIZE 4 x 25	TOTAL NO. OF POSITIONS -100	NO. OF POSITIONS LOADED - 100
		CONTACT PLATING	QTY.	MATING LENGTH
50009-XX067	A	SEE SHEET 3	98	.200 / 5.08
	B	SEE SHEET 3	2	.240 / 6.10
50009-XX067LF	A	SEE SHEET 3	98	.200 / 5.08
	B	SEE SHEET 3	2	.240 / 6.10

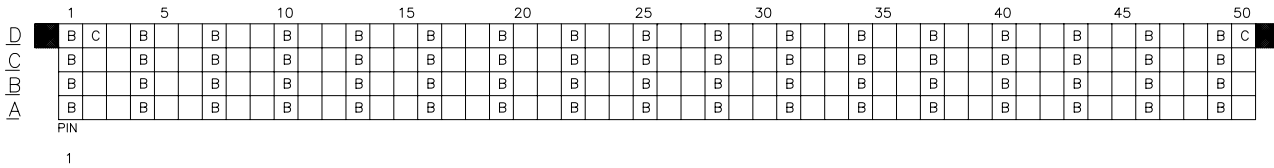


1. ALL POSITIONS ARE LOADED WITH "A", EXCEPT AS SHOWN.
2. COLUMN 1, ROW A IS DESIGNATED AS SIGNAL PIN 1, AS VIEWED FROM THE MATING FACE.

mat'l. code SEE NOTE 3	surface ISO 1302 ✓	tolerance ISO 406 ISO 1101	projection 1st angle	product family HPC
ltr R	ecn no	dr date	angles linear	tolerances unless otherwise specified .XX±.01/3 .XXX±.005/13 XXXX±.0020/.05
			INCH/MM	title 4 ROW VERTICAL HEADER W/PRESS-FIT PINS, 0 G.P.
			scale 1:1	dwg no 50009
				sheet 6 of 9 size A3
sheet index	revision sheet			type Product Customer Drawing

PDM: Rev:R STATUS:Released Printed: Feb 09, 2010

PRODUCT NO.	ITEM KEY	SIGNAL DATA				
		SIZE 4 x 50	TOTAL NO. OF POSITIONS - 200	NO. OF POSITIONS LOADED - 200		
		PIN PLATING	QTY.	MATING LENGTH	TAIL LENGTH	TOTAL PIN LENGTH
50009-XX076	A	SEE SHEET 3	130	.230 / 5.84	.177 / 4.50	.595 / 15.11
	B	SEE SHEET 3	68	.270 / 6.86	.177 / 4.50	.634 / 16.10
	C	SEE SHEET 3	2	.190 / 4.83	.177 / 4.50	.555 / 14.10
50009-XX076LF	A	SEE SHEET 3	130	.230 / 5.84	.177 / 4.50	.595 / 15.11
	B	SEE SHEET 3	68	.270 / 6.86	.177 / 4.50	.634 / 16.10
	C	SEE SHEET 3	2	.190 / 4.83	.177 / 4.50	.555 / 14.10

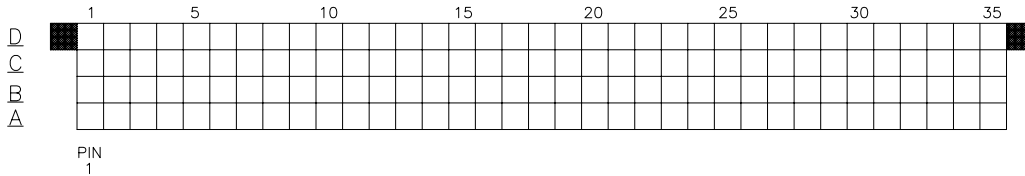


1. ALL POSITIONS ARE LOADED WITH "A", EXCEPT AS SHOWN.
2. COLUMN 1, ROW A IS DESIGNATED AS SIGNAL PIN 1, AS VIEWED FROM THE MATING FACE.

mat'l. code SEE NOTE 3	surface ISO 1302 ✓	tolerance ISO 406 ISO 1101	projection INCH/MM	product family HPC
ltr R	ecn no	dr date	angles linear	title 4 ROW VERTICAL HEADER W/PRESS-FIT PINS, 0 G.P.
			scale 1:1	dwg no 50009
		dr D.HORCHLER 6/29/05	FCJ	sheet 7 of 9 size A3
		enfr D.HORCHLER 6/29/05		type Product Customer Drawing
		chr T.BREWBAKER 7/5/05		
sheet index	revision sheet	appd D.HORCHLER 7/5/05		

PDM: Rev:R STATUS:Released Printed: Feb 09, 2010

PRODUCT NO.	SIGNAL DATA				
	SIZE 4 x 35	TOTAL NO. OF POSITIONS -140	NO OF POSITIONS LOADED - 140		
	ITEM KEY	PINS: PLATING:	QUANTITY	MATING LENGTH	TAIL LENGTH
50009-XX124	A	SEE SHEET 3	140	.220 / 5.59	.603 / 15.32
50009-XX124LF	A	SEE SHEET 3	140	.220 / 5.59	.603 / 15.32



1. ALL POSITIONS ARE LOADED WITH "A".
2. COLUMN 1 ROW A IS DESIGNATED AS SIGNAL PIN 1, AS VIEWED FROM THE MATING FACE.

mat'l. code SEE NOTE 3	surface ISO 1302 ✓	tolerance ISO 406 ISO 1101	projection 	product family HPC
ltr R	ecn no	dr date	angles linear	title 4 ROW VERTICAL HEADER W/PRESS-FIT PINS, 0 G.P.
			tolerances unless otherwise specified XXX±.01/3 .XXX±.005/13 XXXX±.0020/.05	scale 1:1
		dr D.HORCHLER 6/29/05		dwg no 50009
		enrg D.HORCHLER 6/29/05		sheet 8 of 9 size A3
		chr T.BREWBAKER 7/5/05		type Product Customer Drawing
		appd D.HORCHLER 7/5/05		
sheet index	revision sheet			

PDM: Rev:R STATUS:Released Printed: Feb 09, 2010



PRODUCT NUMBER	ITEM KEY	SIGNAL DATA			
		SIZE 4 x 50	TOTAL NO. OF POSITIONS -200	NO. OF POSITIONS LOADED - 200	
		PRESS FIT STYLE			
		PIN PLATING	QTY.	MATING LENGTH	TAIL LENGTH
50009-XX187	A	SEE SHEET 3	85	.220 / 5.59	.561 / 14.25
	B	SEE SHEET 3	1	.180 / 4.57	.521 / 13.23
	C	SEE SHEET 3	8	.260 / 6.60	.601 / 15.27
	D	SEE SHEET 3	106	.220 / 5.59	.177 / 4.50
50009-XX187LF	A	SEE SHEET 3	85	.220 / 5.59	.561 / 14.25
	B	SEE SHEET 3	1	.180 / 4.57	.521 / 13.23
	C	SEE SHEET 3	8	.260 / 6.60	.601 / 15.27
	D	SEE SHEET 3	106	.220 / 5.59	.177 / 4.50

	1	5	10	15	20	25
D	A	A	A	A	A	A
C	A	A	C	A	A	A
B	A	A	C	A	A	C
A	A	A	A	A	A	A

PIN  
1

	26	30	35	40	45	50
A	A	A	A	A	A	A
	A	A	A	A	A	C
A	A	A	A	A	A	C

- ALL POSITIONS ARE LOADED WITH "D" EXCEPT AS SHOWN.
- COLUMN 1, ROW A IS DESIGNATED AS SIGNAL PIN 1, AS VIEWED FROM THE MATING FACE.

mat'l. code SEE NOTE 3	surface ISO 1302 ✓	tolerance ISO 406 ISO 1101	projection INCH/MM	product family HPC
ltr R	ecn no	dr date	angles linear	title 4 ROW VERTICAL HEADER W/PRESS-FIT PINS, 0 G.P.
			tolerances unless otherwise specified XXX.01/3 .XXX±.005/.13 XXXX±.0020/.051	scale 1:1
		dr D.HORCHLER 6/29/05		dwg no 50009
		enfr D.HORCHLER 6/29/05		sheet 9 of 9 size A3
		chr T.BREWBAKER 7/5/05		type Product Customer Drawing
		appd D.HORCHLER 7/5/05		
sheet index	revision sheet			

PDM: Rev:R STATUS:Released Printed: Feb 09, 2010