

Tous droits strictement réservés. Reproduction ou communication à des tiers interdite sans quelque forme que ce soit sans autorisation écrite du propriétaire. Propriété de c FCI. Droits de reproduction FCI.



All rights strictly reserved. Reproduction or issue to third parties in any form whatever is not permitted without written authority from the proprietor. Property of FCI. Copyright FCI.

PRODUCT NUMBER	PEG TYPE	TAIL TYPE	TAIL LGTH. DIM "A"	PCB THICKNESS±0.20	LOADING CONFIGURATION
89047-X02	PRESS	PRESS-FIT	2.90	1.6	FULLY LOADED
89047-X12	PRESS	PRESS-FIT	3.53	2.4	FULLY LOADED
89047-X02LF	PRESS	PRESS-FIT	2.90	1.6	FULLY LOADED
89047-X12LF	PRESS	PRESS-FIT	3.53	2.4	FULLY LOADED

PLATING CONTACT AREA:	
DASH NR:	PERFORMANCE LEVEL
-1YY/1YYLF	TELCORDIA CO
-2YY/2YYLF	CUSTOMER SPECIAL
-3YY/3YYLF	CUSTOMER SPECIAL

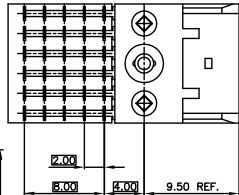
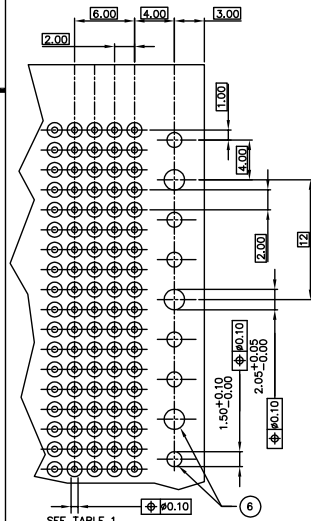
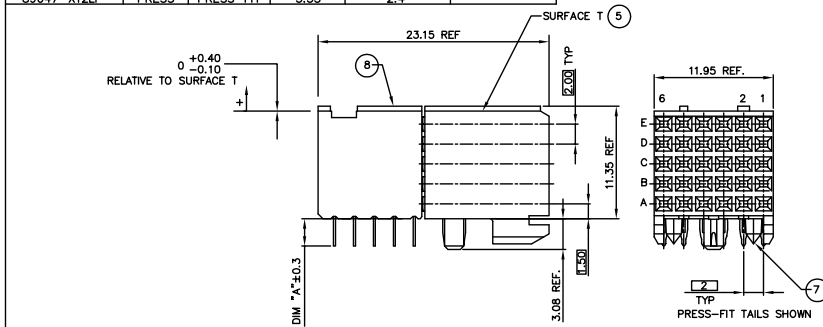


TABLE 1 PLATED THRU HOLE REQUIREMENTS	
HOLE DIAMETER AFTER PLATING	0.65-0.80
DRILLED HOLE	0.81-0.86 (0.85 DRILL)
COPPER PLATING	0.025 - 0.05
Sn/Pb PLATING	0.005-0.015

RECOMMENDED PC BOARD LAYOUT, COMPONENT SIDE.
(SEE PRINT 58351 FOR ADDITIONAL PCB INFORMATION)

NOTES:

- CONNECTOR MATERIALS:
HOUSING: LCP, 30% GLASS FILLED, UL 94-V0 COMPLIANT
PRESS BLOCK: GLASS FILLED, HIGH TEMPERATURE RESIN UL 94-V0 COMPLIANT
TERMINAL: PHOSPHOR BRONZE ALLOY
- TAIL PLATING:
89047-XXX = 0.5-1.5µm Sn Pb
89047-XXYLF = 0.5-1.5µm Sn (LEAD FREE)
- PRODUCT SPECIFICATION:
GS-12-002
- APPLICATION SPECIFICATIONS:
BUS-20-061
GS-20-001
TA-941
- PRODUCT MARKING: (PART NUMBER & LOT CODE).
- INDICATED HOLES ARE UNPLATED.
- DIAMOND LOCATION PEG ARE ONLY EXISTED ON THE BOTH SIDES OF PRODUCT.
- TOP SURFACE OF PRESS BLOCK MAY EXTEND UP TO 0.4MM HIGHER THAN HOUSING. THIS MAY AFFECT THE TAIL LENGTH BEFORE APPLICATION TO A BOARD.
- THESE PRODUCTS WHERE THE PART NUMBER ENDS IN "LF" MEET THE EUROPEAN UNION DIRECTIVES AND OTHER COUNTRY REGULATIONS AS DESCRIBED IN GS-22-008.
ALL PRODUCTS WILL WITHSTAND EXPOSURE TO 240°C FOR 60 SECONDS IN A CONVECTION, INFAR-RED OR VAPOR PHASE REFLOW OVEN.
- FOR LEAD FREE PART NUMBERS ADD "LF" SUFFIX. EXAMPLE: 89047-XXYLF.

mat'l. code				tolerances unless otherwise specified		CUSTOMER COPY		
ltr	ecn no	dr	date					
S	DC08-0445	Cenh	10/30/06	linear	0.X±0.3	projection	title	
T	DC07-0171	Cenh	05/25/07		0.XX±0.13		B SERIES R/A SIGNAL RECEPT ASSY, 5 ROW, 1 MOD, PF	
U	DC08-0171	TER	7/7/08	angles	0.XXX±0.051			size
V	DC09-0068	Cenh	06/06/09	dr	C. DAILY	D6/18/02	product family	METRAL
W	DC11-0061	Cenh	2011/03/03	engr	M. GRAY	D6/18/02	code	213
R	V05-0874	DAI	09/13/05	appd	M. GRAY	D6/18/02	scale	1:1
sheet index	revision	W						
	sheet	1						

www.fciconnect.com

product family METRAL

code 213

sheet 1 of 1

89047

cage code 22526

ACAD

PDM: Rev:W

STATUS: Released

Printed: Mar 11 2011