

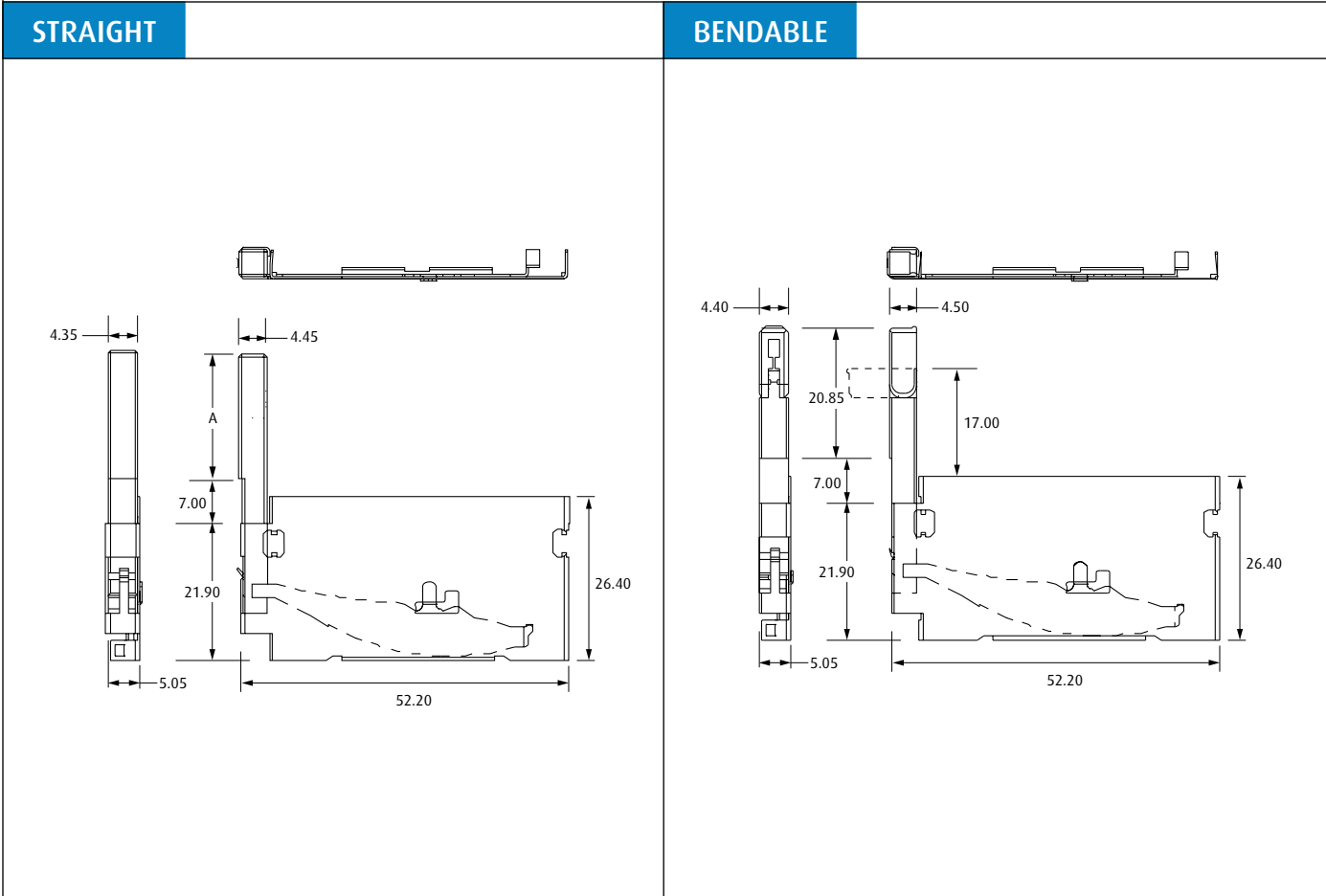


# Memory Card Connectors

## Compact Flash Shells

- ❖ Shells are suitable for use with the M504-787 Compact Flash connector shown on the previous page.
- ❖ Option of straight or bendable ejector.

MEMORY CARD



### HOW TO ORDER

**M504 - XXX 00 46**

**SERIES CODE**

**TYPE**

<b>781</b>	Straight Ejector, A=15mm	<b>783</b>	Straight Ejector, A=30mm
<b>782</b>	Straight Ejector, A=20mm	<b>784</b>	Bendable Ejector

**FINISH**

**46**

Tin

**TOTAL NO. OF CONTACTS**

**00**

[www.harwin.com](http://www.harwin.com)

All dimensions in mm.



**HARWIN**