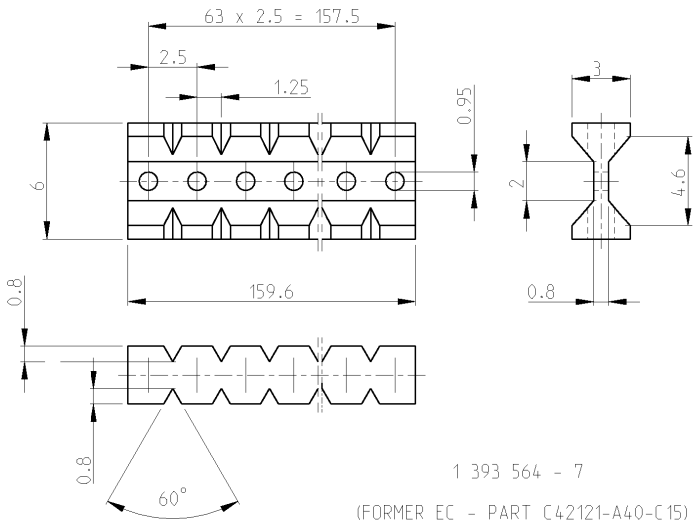
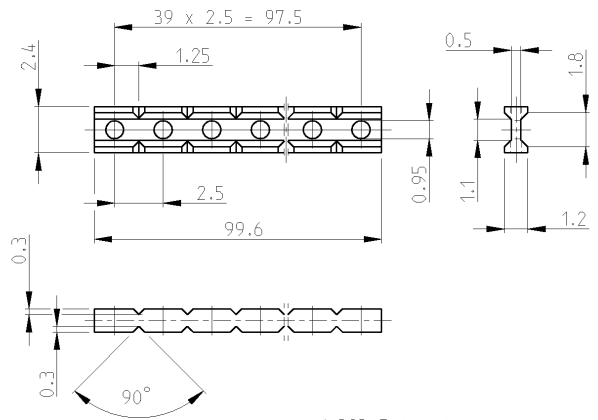


THIS DRAWING IS UNPUBLISHED. RELEASED FOR PUBLICATION 2000
 © COPYRIGHT 2000 BY TYCO ELECTRONICS CORPORATION. ALL RIGHTS RESERVED.

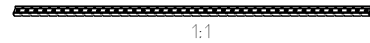
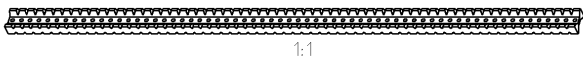
LOC	DIST	REVISIONS			
P	LTR	DESCRIPTION	DATE	DWN	APVD
A		PART NUMBERS CHANGED TO TYCO ELECTRONICS	11SEP2001	ACK	GF



1 393 564 - 7
 (FORMER EC - PART C42121-A40-C15)

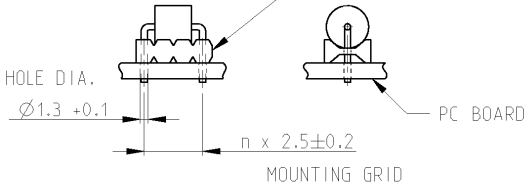


1 393 564 - 6
 (FORMER EC - PART C42121-A40-C14)



APPLICATION EXAMBLE
 2:1

CUTTED TO LENGHT
 BEFORE MOUNTING



<small>THIS DRAWING IS A CONTROLLED DOCUMENT FOR TYCO ELECTRONICS CORPORATION IT IS SUBJECT TO CHANGE AND THE CONTROLLING ENGINEERING ORGANIZATION SHOULD BE CONTACTED FOR THE LATEST REVISION.</small>		11SEP2001 G. ACKERMANN M. SCHLEHAUF G. FEILDMAYER	tyco Electronics tyco Electronics AMP GmbH D - 67346 Speyer
DIMENSIONS: mm 	TOLERANCES UNLESS OTHERWISE SPECIFIED: 0 PLC ±0.2 1 PLC ±0.1 2 PLC ±0.1 3 PLC ±0.1 4 PLC ±0.1 ANGLES ±0.1°	NAME PRODUCT SPEC APPLICATION SPEC WEIGHT	MOUNTING FIXTURES HALTERUNG SIZE CAGE CODE DRAWING NO A3 00779 C-1393564-7 RESTRICTED TO
MATERIAL PC	FINISH -	CUSTOMER DRAWING	SCALE 5:1 SHEET 1 OF 1 REV A

AMP 1470-19 REV 31MAR2000

PRO/ENGINEER DRAWING