
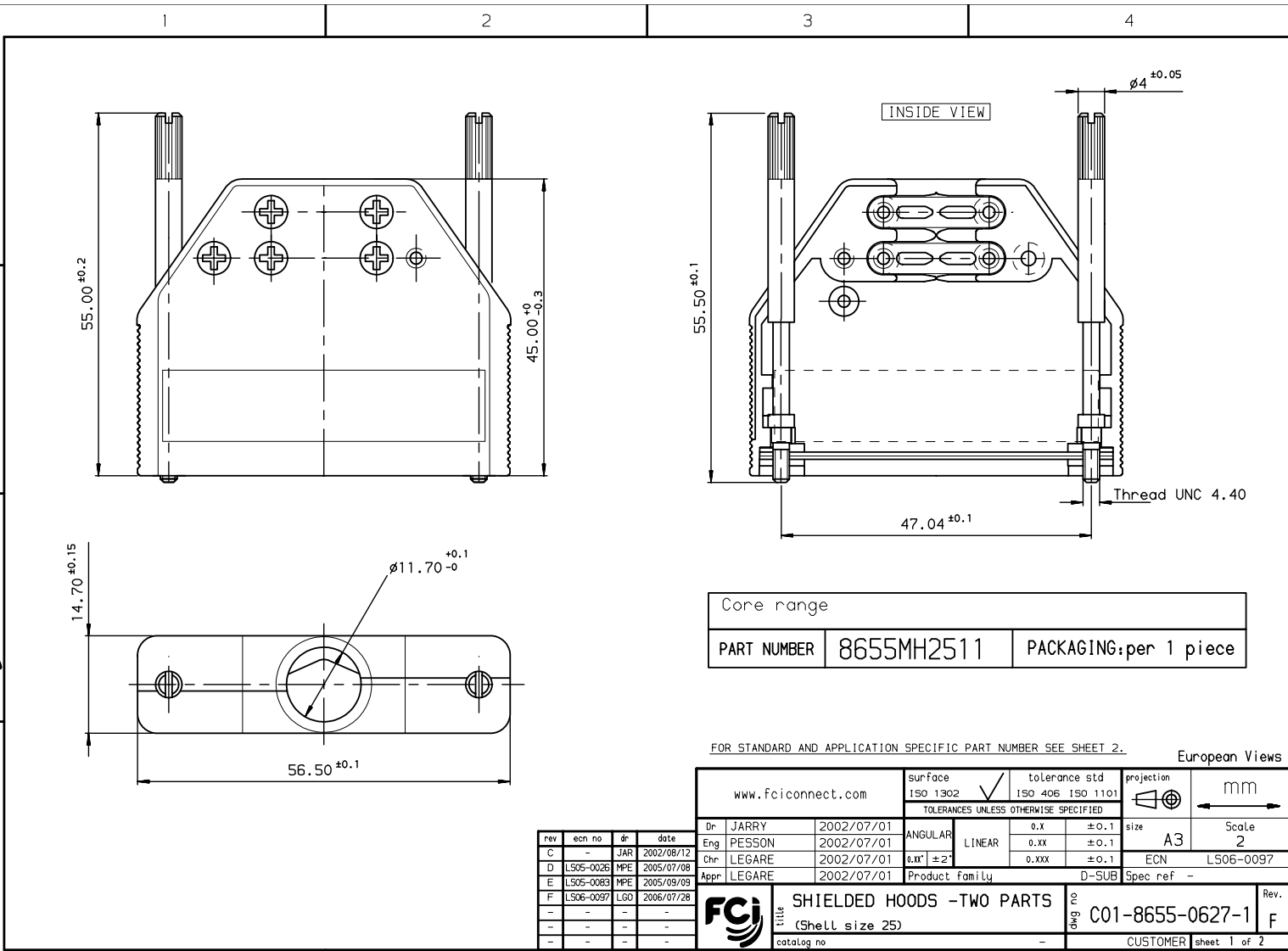
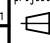


Copyright FCI. 



FOR STANDARD AND APPLICATION SPECIFIC PART NUMBER SEE SHEET 2. European Views

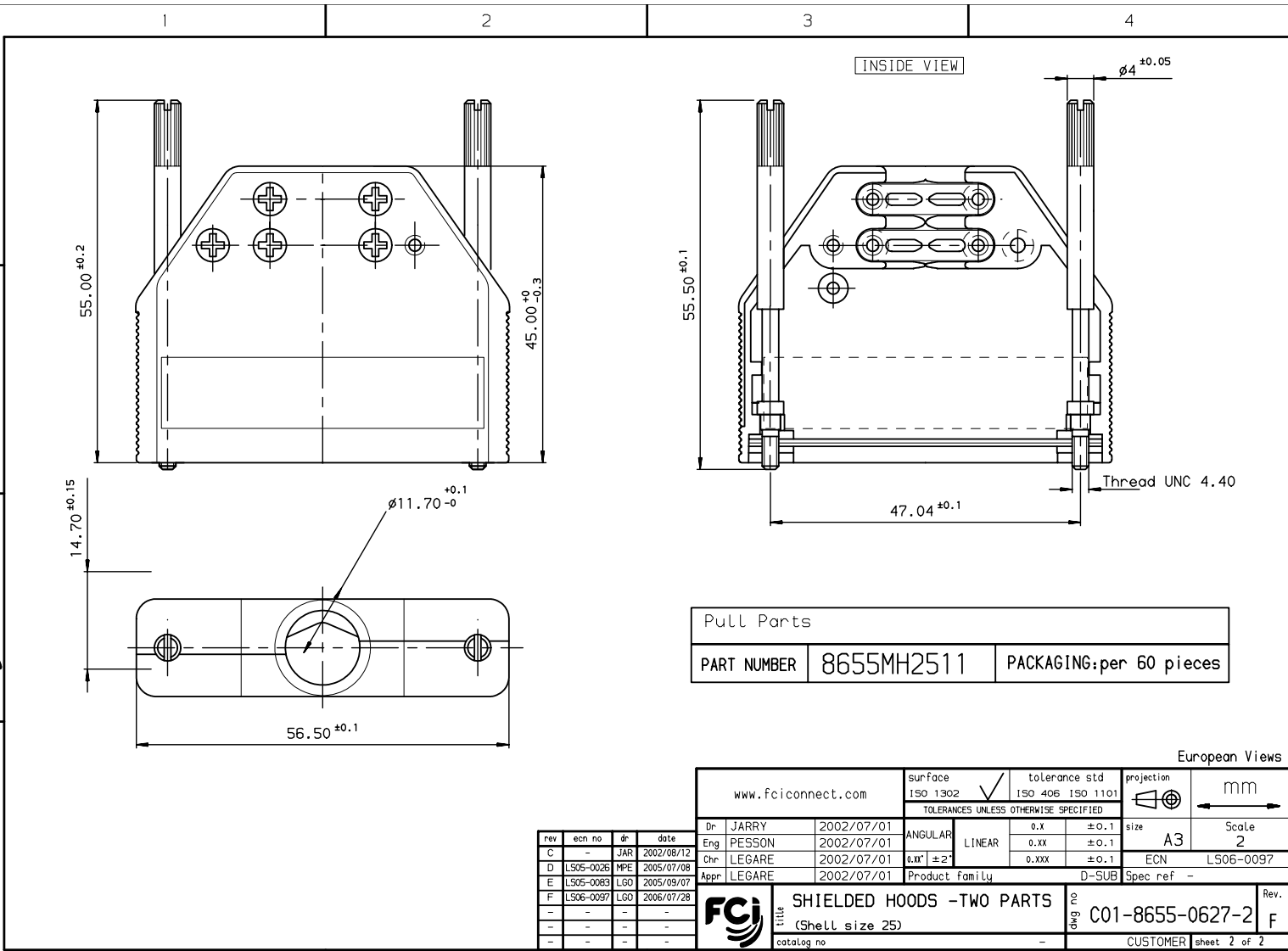
www.fciconnect.com		surface ISO 1302	tolerance std ISO 406 ISO 1101	projection 	mm
		TOLERANCES UNLESS OTHERWISE SPECIFIED			
Dr	JARRY	2002/07/01	ANGULAR	0.X	± 0.1
Eng	PESSON	2002/07/01	LINEAR	0.XX	± 0.1
Chr	LEGARE	2002/07/01	0.XX	0.XXX	± 0.1
Appr	LEGARE	2002/07/01	Product family		D-SUB
Title		SHIELDED HOODS - TWO PARTS		pkg no	C01-8655-0627-1
catalog no		(Shell size 25)		Rev.	F
		CUSTOMER		sheet 1 of 2	

rev	ecm no	dr	date
C	-	JAR	2002/08/12
D	LS05-0026	MPE	2005/07/08
E	LS05-0083	MPE	2005/09/09
F	LS06-0097	LGO	2006/07/28
-	-	-	-
-	-	-	-
-	-	-	-

REV F - 2006-04-17

3 PDM: Rev:F STATUS **Released** Printed: Oct 01, 2010

Copyright FCI.



Pull Parts		
PART NUMBER	8655MH2511	PACKAGING: per 60 pieces

rev	ecn no	dr	date
C	-	JAR	2002/08/12
D	LS05-0026	MPE	2005/07/08
E	LS05-0083	LGO	2005/09/07
F	LS06-0097	LGO	2006/07/28

www.fciconnect.com		surface ISO 1302	tolerance std ISO 406 ISO 1101	projection mm
Dr JARRY 2002/07/01		TOLERANCES UNLESS OTHERWISE SPECIFIED		size A3
Eng PESSON 2002/07/01	Chr LEGARE 2002/07/01	ANGULAR	LINEAR	Scale 2
Appr LEGARE 2002/07/01	Product family	0.X ±0.1	0.XX ±0.1	ECN LS06-0097
Title SHIELDED HOODS - TWO PARTS (Shell size 25)		0.XXX ±0.1	D-SUB	Spec ref -
FCJ		pkg no C01-8655-0627-2	Rev. F	
catalog no		CUSTOMER sheet 2 of 2		

REV F - 2006-04-17

3 PDM: Rev:F STATUS Released Printed: Oct 01, 2010