

SIZE	Part Number	Packing
25	8655MH2501LF	in bulk:Qty:60
	8655MH2511LF	individual set 50 sets/carton

NOTE:RoHS INFORMATIONS

- The LF product meets European union Directives and other country regulations as described in GS-22-009
- The product is not intended to be exposed to a manufacturing solder process
- Packaging spec: see GS-14-920

NOTES:for all sizes

Material and finish: Zinc die-cast nickel plated

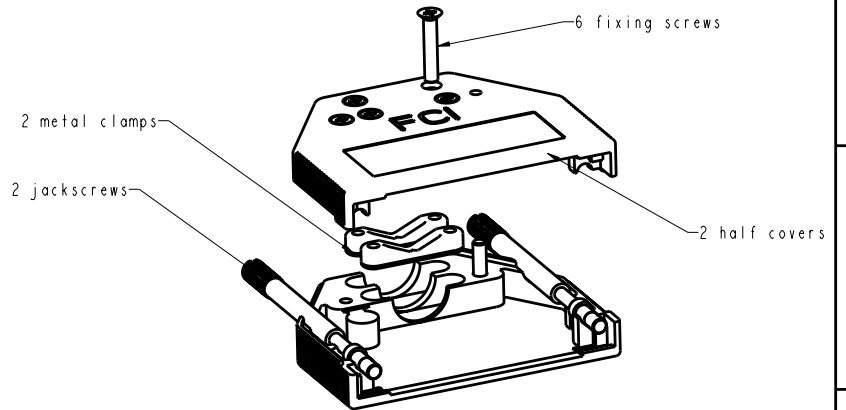
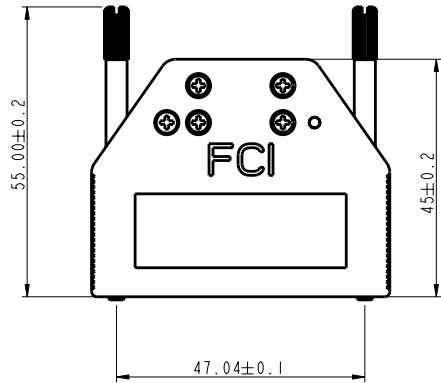
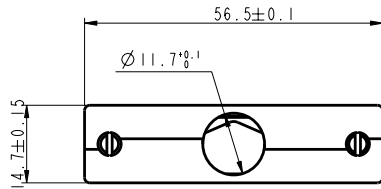
Cable strain relief: Zinc die-cast

Jackscrew: Steel, nickel plated UNC 4.40

Temperature range: -55°C to +125°C

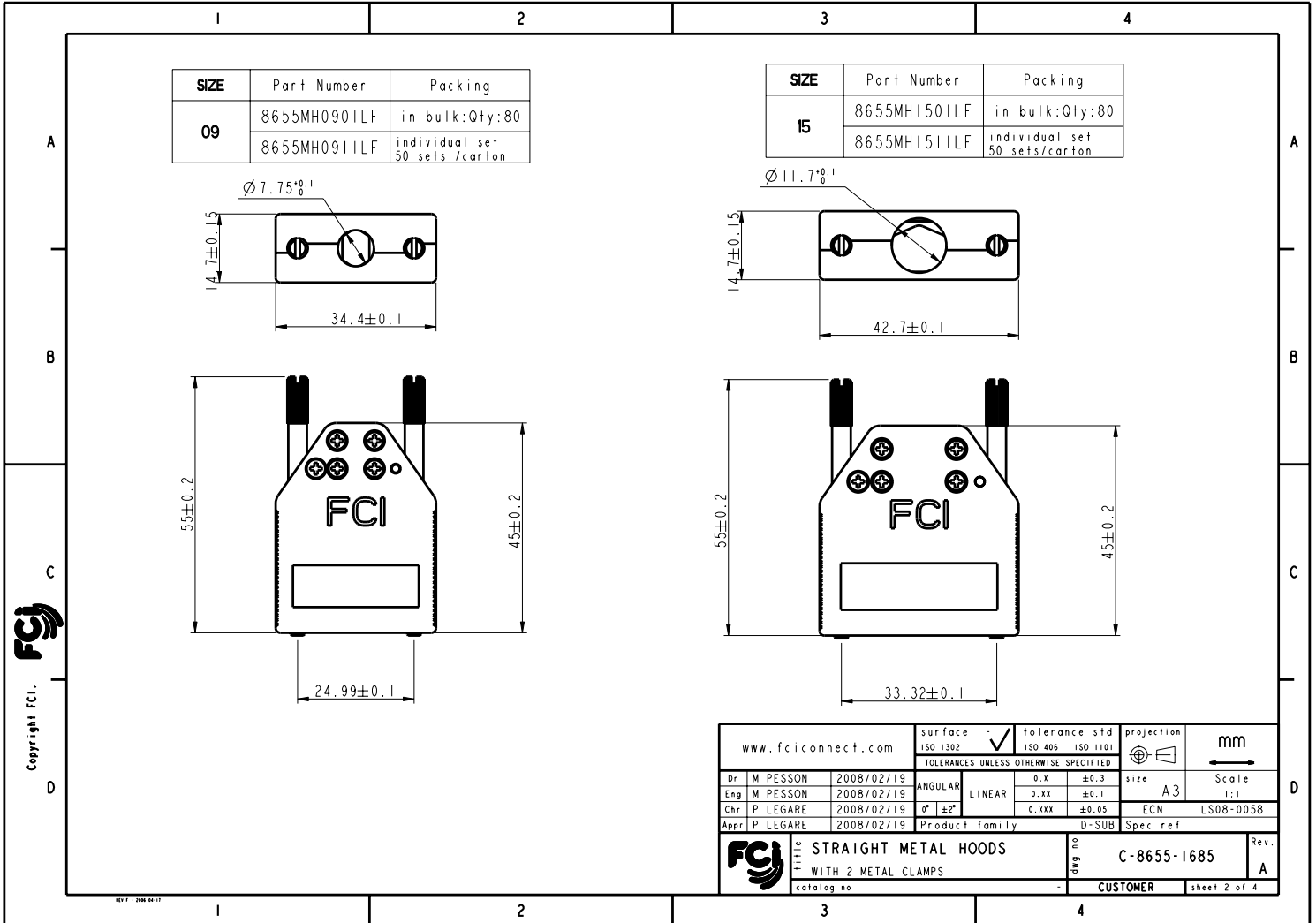
Attenuation factor: >40 dB between 10 MHz

Other size details: see on next pages.



Copyright FCI.

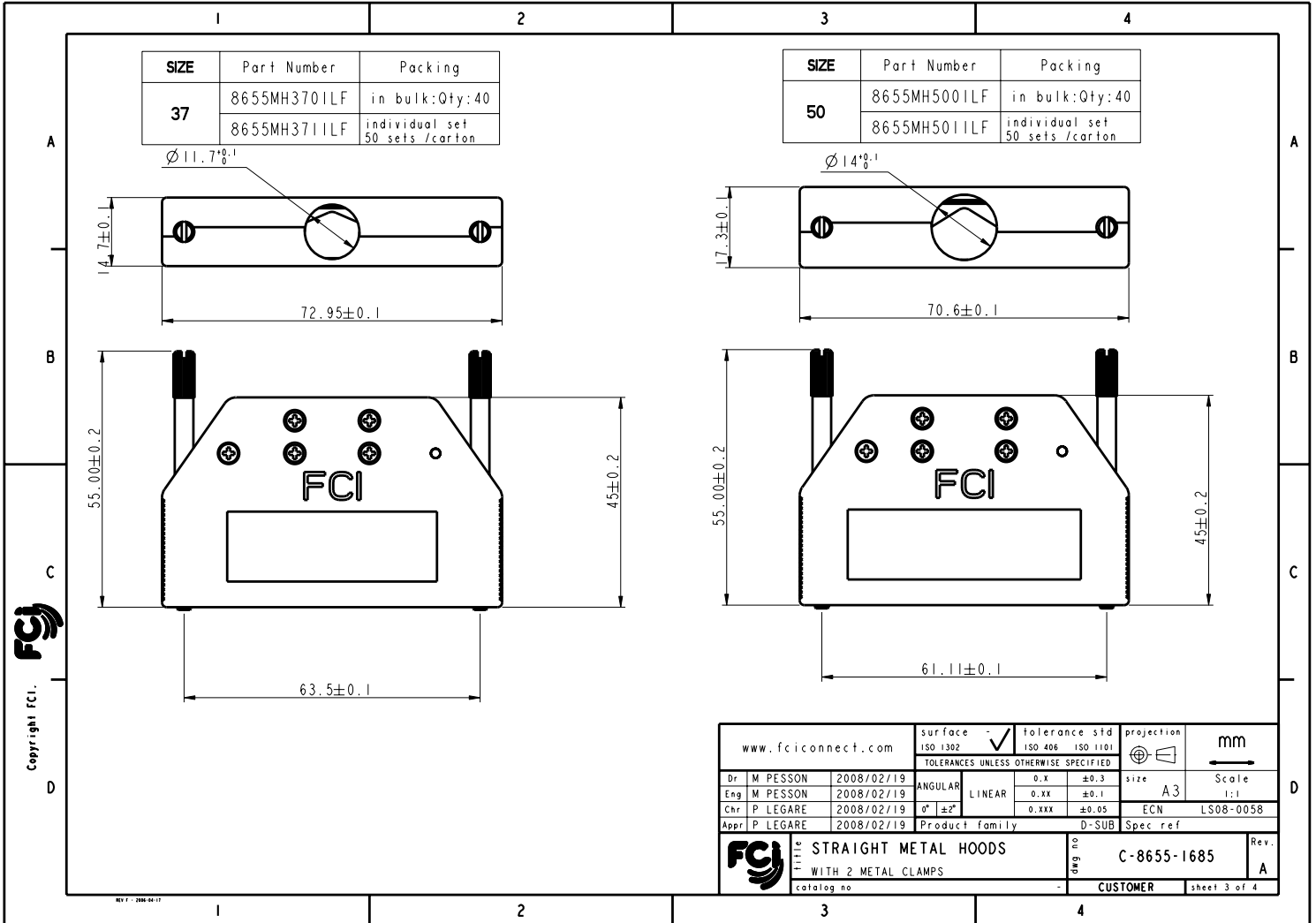
www.fciconnect.com		surface	ISO 1302	tolerance std	ISO 406 ISO 1101	projection	mm
		TOLERANCES UNLESS OTHERWISE SPECIFIED					
Dr	M PESSON	2008/02/19	ANGULAR	0.X	±0.3	size	A3
Eng	M PESSON	2008/02/19	LINEAR	0.XX	±0.1	Scale	1:1
Chr	P LEGARE	2008/02/19	0° ±2°	0.XXX	±0.05	ECN	LS08-0058
Appr	P LEGARE	2008/02/19	Product family			Spec ref	
FCI		STRAIGHT METAL HOODS			ang no	C-8655-1685	Rev.
		WITH 2 METAL CLAMPS			customer		A
catalog no					sheet 1 of 4		



PDM: Rev:A

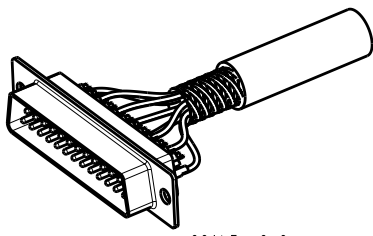
STATUS Released

Printed: Oct 01, 2010



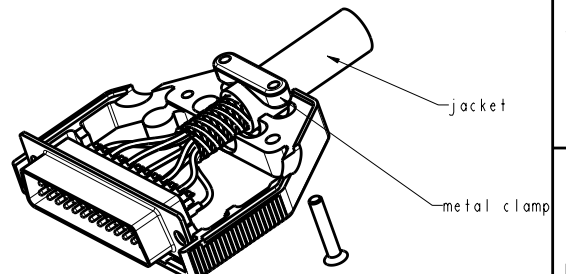
CABLING INSTRUCTIONS

1- Strip the cable and solder or crimp the wires



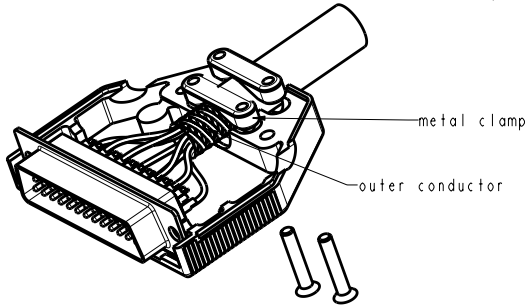
SCALE 3:2

2-Put the connector into a half hood and tighten the jacket with a metal clamp



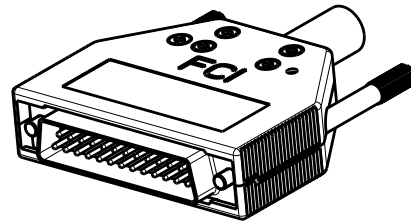
SCALE 3:2

3-To get the electrical continuity between the cable outer conductor and the hood tighten the outer conductor with the other metal clamp as shown



SCALE 3:2

4-Mount the jackscrews, the other half hood and tighten with 2 screws



www.fciconnect.com			surface	-	tolerance std	projection	mm
			ISO 1302	✓	ISO 406 ISO 1101	mm	
TOLERANCES UNLESS OTHERWISE SPECIFIED							
Dr	M PESSON	2008/02/19	ANGULAR	LINEAR	0.X	±0.3	size A3
Eng	M PESSON	2008/02/19			0.xx	±0.1	Scale 1:1
Chr	P LEGARE	2008/02/19	0° ±2°		0.xxx	±0.05	ECN LS08-0058
Appr	P LEGARE	2008/02/19	Product family				Spec ref
FCJ			STRAIGHT METAL HOODS			eng no	Rev.
			WITH 2 METAL CLAMPS			C-8655-1685	A
			catalog no			CUSTOMER	sheet 4 of 4

Copyright FCI. FCI

PDM: Rev:A

STATUS Released

Printed: Oct 01, 2010